

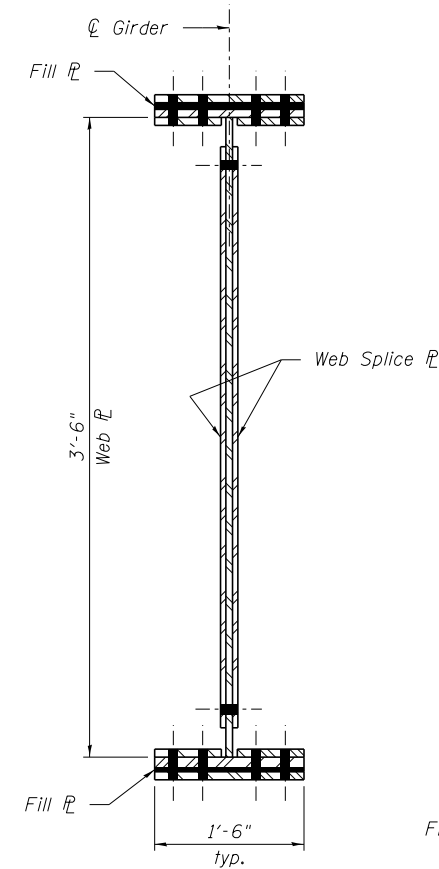
CAMBER DIAGRAM

TOP OF WEB ELEVATIONS

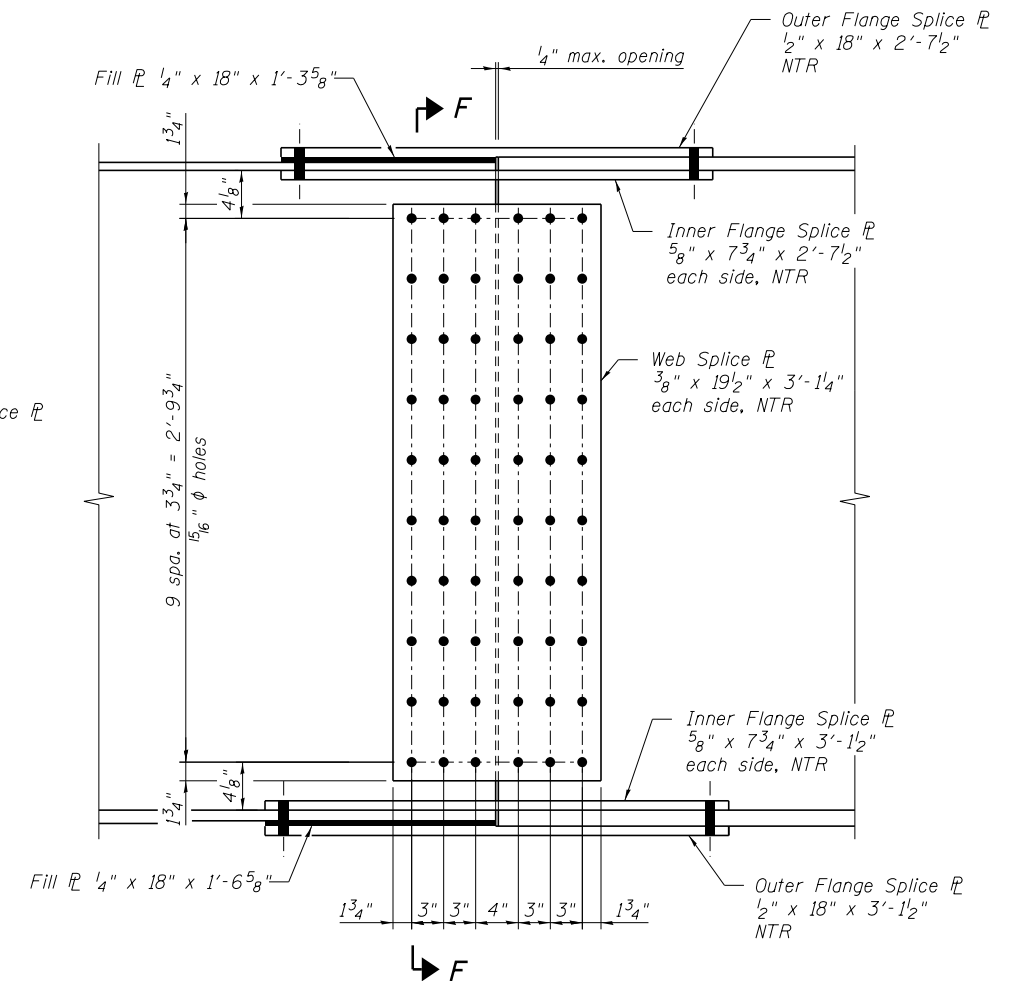
Location	Girder 1	Girder 2	Girder 3	Girder 4	Girder 5	Girder 6	Girder 7	Girder 8	Girder 9	Girder 10
Brg. N. Abut.	752.05	752.15	752.21	752.27	752.10	751.90	751.92	751.74	751.55	751.33
Field Splice	753.20	753.34	753.44	753.54	753.43	753.32	753.41	753.27	753.12	752.93
Brg. Pier	753.19	753.34	753.45	753.55	753.45	753.37	753.46	753.33	753.19	753.00
*Span 2 CF Pt.	753.39	753.55	753.67	753.79	753.69	753.66	753.77	753.64	753.52	753.35
Brg. S. Abut.	752.97	753.15	753.30	753.44	753.36	753.45	753.56	753.47	753.37	753.23

For fabricator use only.

*CF = Contraflexure

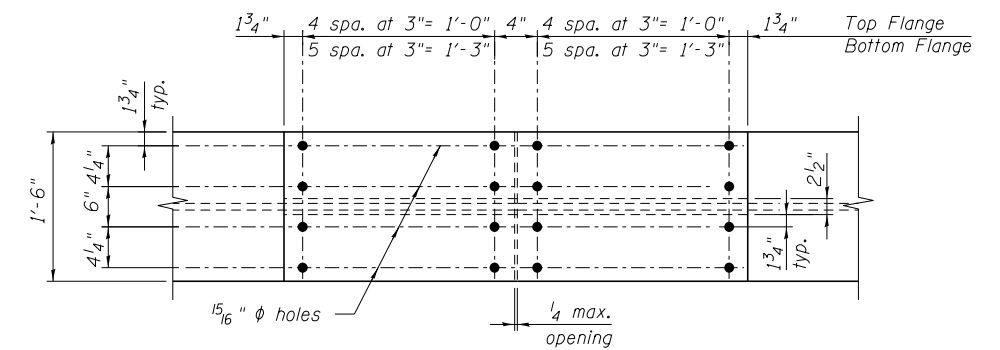


SECTION F-F



ELEVATION - FIELD SPLICE

(60 Bolts per Web Splice)



FLANGE SPLICE

(40 bolts per Top Flange Splice)
(48 bolts per Bottom Flange Splice)

NOTES:

- All Splice Plates except fill plates shall be AASHTO M270 Grade 50.
- All Splice Bolts shall be 7/8" ϕ ASTM A325 High Strength with 15/16" ϕ holes.
- Load carrying components designated "NTR" shall conform to the Impact Testing Requirements, Zone 2.
- All splices are symmetrical about ϕ splice except for fill ϕ .