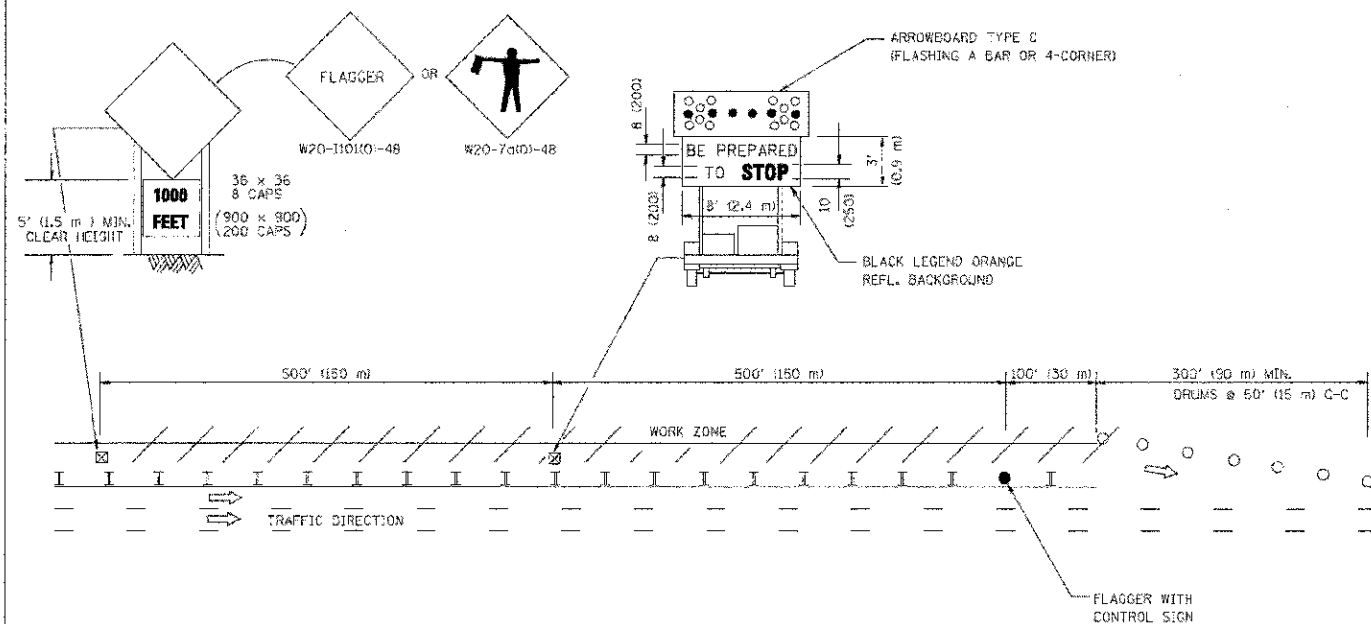
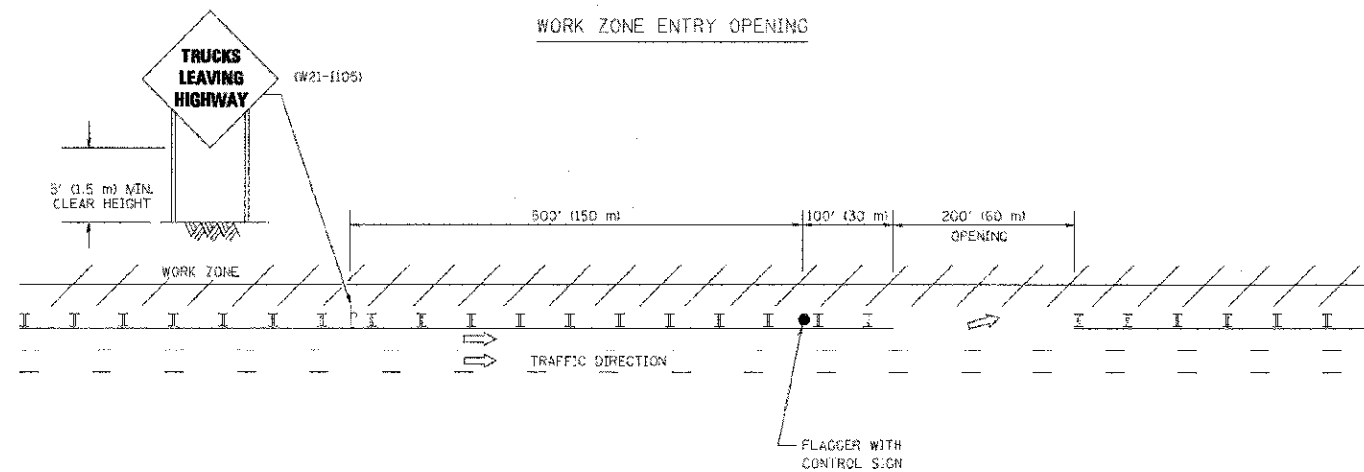


SIGNING FOR FLAGGING OPERATIONS AT WORK ZONE OPENINGS

WORK ZONE EXIT OPENING



WORK ZONE ENTRY OPENING



NOTES:

1. THE ARROWBOARD, THE FLAGGER AHEAD SIGN AND THE TRUCKS LEAVING HIGHWAY SIGN SHALL BE REMOVED OR TURNED AWAY FROM TRAFFIC AND THE EXIT AND ENTRY OPENINGS SHALL BE CLOSED WHEN THE FLAGGING OPERATION CEASES. NON OPERATING EQUIPMENT SHALL COMPLY WITH ARTICLE 701.11
2. WORK ZONE EXIT OPENINGS SHOULD BE A MINIMUM OF ONE HALF MILE APART.
3. EXITING THE WORK ZONE AT ANY PLACE OTHER THAN AT A WORK ZONE EXIT OPENING WILL BE PROHIBITED.
4. ALL VEHICLES SHALL ENTER THE WORK ZONE AT ENTRY OPENINGS, USING THEIR TURN SIGNALS TO WARN MOTORISTS

ALL DIMENSIONS ARE IN INCHES (MILLIMETERS) UNLESS OTHERWISE SHOWN

COPYRIGHT © PHILIP BAXTER & WOODMAN, INC.  
 STATE OF ILLINOIS - PROFESSIONAL DESIGN FIRM  
 1100 N. WASHINGTON ST., SUITE 200, DECATUR, IL 62521-4411  
 TEL: 618/281-1100 FAX: 618/281-1101  
 WWW.PHILIPBAXTERANDWOODMAN.COM

FILE NAME =	USER NAME =	DESIGNED =	REVISED =
W:\d\stetd\2232\1\1\1\1.dgn	Lojoe	-	J.A.F. 04-03
		DRAWN =	REVISED =
		-	J.A.F. 02-06
		CHECKED =	REVISED =
		-	S.P.S. 01-07
		DATE =	REVISED =
		-	S.P.S. 12-09

STATE OF ILLINOIS  
DEPARTMENT OF TRANSPORTATION

SIGNING FOR FLAGGING OPERATIONS  
AT WORK ZONE OPENINGS

SCALE: NONE SHEET NO. 1 OF 1 SHEETS STA. TO STA.

F.A. RTE.	SECTION	COUNTY	TOTAL SHEETS	SHEET NO.
1332	11-00286-00-1-S	COOK	29	28
TC-18			CONTRACT NO. 63737	
FED. ROAD DIST. NO. 1 ILLINOIS FED. AID PROJECT TE-00016899				