

Specifications

POLE DESCRIPTION
The aluminum post shall be one piece in construction and complete assembly will compose of a Ø26" clamshell base, mounted around the base, and a West Liberty series single roadway arm mounted atop the post. Two 32" clamp on banner arms (Ø1.5") and a duplex receptacle with small white in-use weatherproof cover will mount at specified heights and orientations.

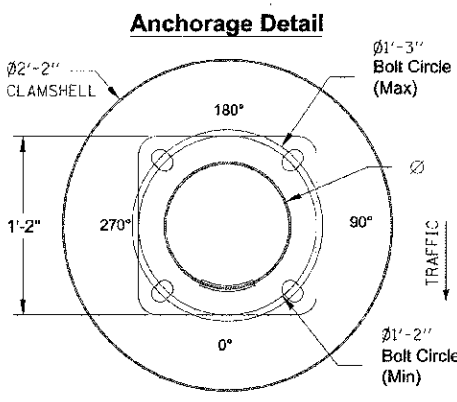
MATERIALS
The post shall be fabricated to meet AASHTO 2009 90 MPH requirements. Welds conform to applicable AWS structural welding code. Pole shaft is one piece, 6063 aluminum alloy, heat treated to a T6 temper. Pole base shall be 356 or A356 aluminum alloy, heat treated to a T6 temper after welding. A 2" x 4" minimum hand hole (covers and fasteners included) will mount 18" above the base of the post and will be concealed by the cast aluminum clamshell base.

DIMENSIONS
The post will be 35'-0" in height with a 14" square base plate. The post shaft shall be .312" thick with a Ø10" shaft base. The base plate will accept Ø1.25" anchor bolts on a Ø14" - Ø15" bolt circle (3.25" bolt projection). The roadway arm will span 72" from shaft center to luminaire center.

LUMINAIRE DESCRIPTION
- Memphis Utility Series Fixture
- 250 Watt High Pressure Sodium (Mogul), Multivolt (Prewired 240V)
- Teardrop Type IV Glass Optics
- Black Finish
- Protected Starter
For complete specifications see LUM_MPU.

Accessory Mounting Detail

	Orientation	Height
FGIUS-SBKH	270°	12'-0"
Clamp-On		Shaft Ø
BA32A/1.5/CO-CA/BKH		6.5"
BA32A/1.5/CO-CA/BKH		7.5"



Catalog #'s:
RTA35G1C4BKU787C - WLC72/1CABKH - C26CSBU055A -
(2)BA32A/1.5/CO-CA/BKH - HAP-FGIUS - AB - RFD56051 -
WLLF200SCABK - MPU250HPMCB4PS S-67578



Village of Skokie Skokie, IL

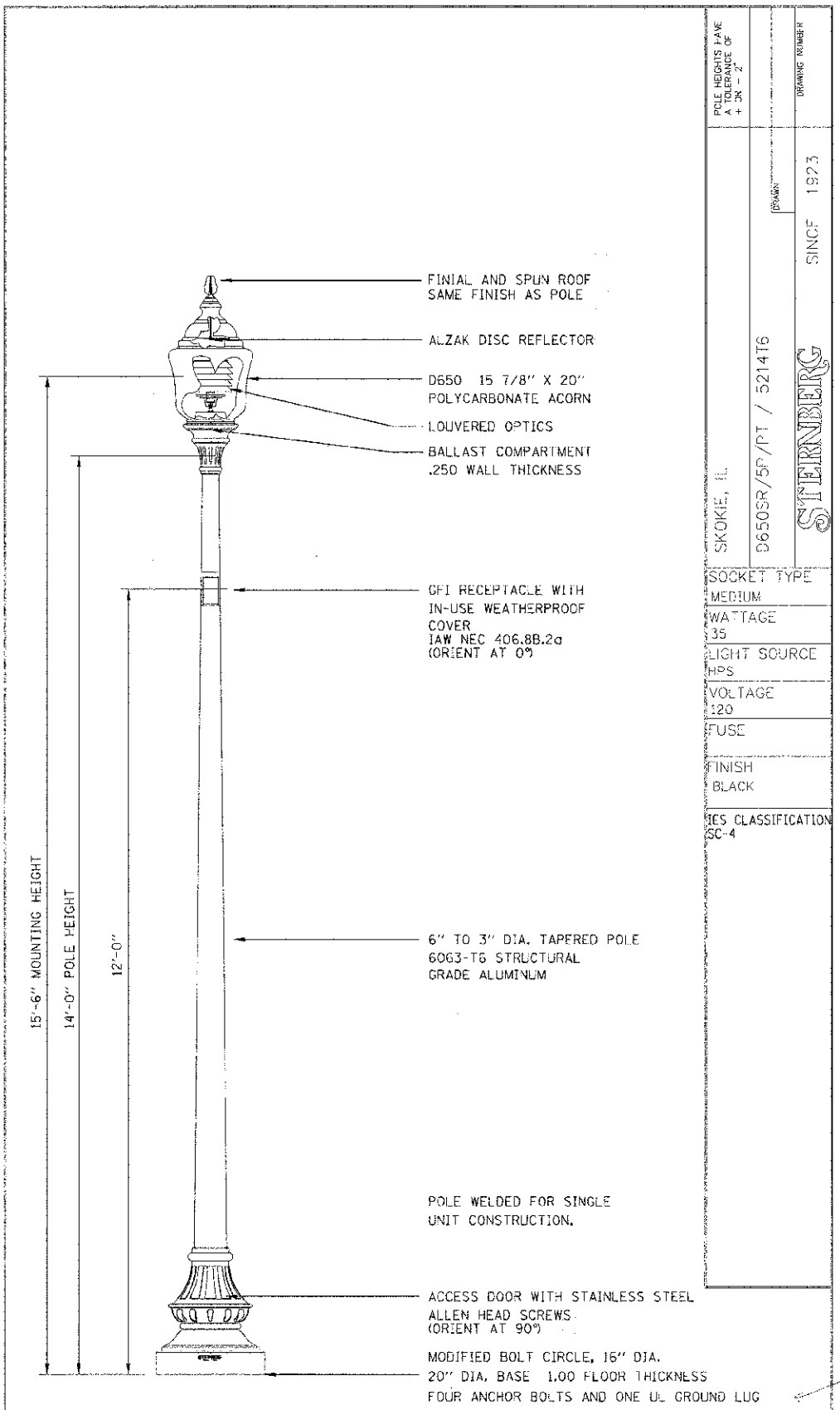
ORDER #: 2061-11-10046-3	TYPE:	DRAWING #:
REVISION:	REVISION DATE:	TSG 006585
DRAWN: KRW	ORIGIN DATE: 10/12/11	PAGE: 1 of 1

THIS DRAWING, WHEN APPROVED, SHALL BECOME THE COMPLETE SPECIFICATION FOR THE MATERIAL TO BE FURNISHED BY HOLOPHANE ON THIS ORDER NOTED ABOVE. A UNIT OF SIMILAR DESIGN MAY BE SUPPLIED, BUT ONLY AFTER APPROVAL BY THE CUSTOMER IN WRITING. ON POLE ORDERS AN ANCHOR BOLT TEMPLATE PRINT WILL BE SUPPLIED WITH EACH ANCHOR BOLT ORDER TO MATCH THE POLE PROVIDED. THIS PRINT IS THE PROPERTY OF HOLOPHANE AND IS LOANED SUBJECT TO RETURN UPON DEMAND AND UPON EXPRESS CONDITION THAT IT WILL NOT BE USED DIRECTLY OR INDIRECTLY IN ANY WAY DETRIMENTAL TO OUR INTERESTS, AND ONLY IN CONNECTION WITH MATERIAL FURNISHED BY HOLOPHANE.

ORNAMENTAL STREET LIGHTING – SINGLE TEARDROP FIXTURE

NO SCALE

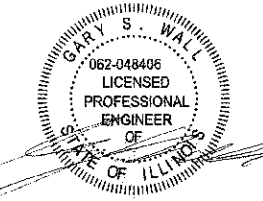
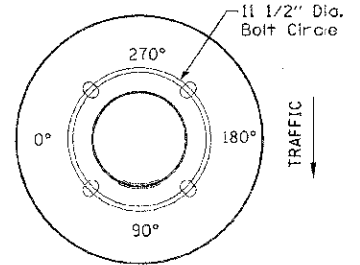
NOTE: POLES SHALL BE MANUFACTURED TO MEET LATEST AASHTO REQUIREMENTS WITH ACCESSORIES SHOWN.



POLE HEIGHTS HAVE A TOLERANCE OF +.25" - .2"	DRAWING NUMBER
SKOKIE, IL	SINCE 1923
9650SR/5P/PT / 5214T6	

SOCKET TYPE	MEDIUM
WATTAGE	35
LIGHT SOURCE	HPS
VOLTAGE	120
FUSE	
FINISH	BLACK
ICES CLASSIFICATION	SC-4

ANCHORAGE DETAIL



LICENSE EXPIRES 11-30-2013

ORNAMENTAL STREET LIGHTING – SINGLE ACORN FIXTURE

NO SCALE



DESIGNED - MWH	REVISED - 8-3-12 PER VILLAGE
DRAWN - MAC	REVISED -
CHECKED - GSW	REVISED -
DATE - 5-14-12	FILE - 100751-SL-det@olis-1.sh

VILLAGE OF SKOKIE, ILLINOIS
F.A.U. ROUTE 1332 E. OAKTON STREET
FROM F.A.P. 350 U.S. ROUTE 41 (SKOKIE BOULEVARD) TO LOWELL AVENUE
STREETSCAPE IMPROVEMENTS

F.A.U. RTE.	SECTION	COUNTY	TOTAL SHEET NO.
1332	11-00286-00-LS	COOK	29 21
	C-91-149-12		CONTRACT NO. 63737
	FED. ROAD DIST. NO. 1 ILLINOIS		FED. AID PROJECT TE-00016891

STREET LIGHTING DETAILS

SCALE: STA. TO STA.

CONCEPT © 2011 BY DAKTIN & WOODMAN, INC.
 STATE OF ILLINOIS - PROFESSIONAL DESIGN FIRM
 LICENSE NO. 194-0000200
 ADDRESS: 1150 W. GARDEN ST., SKOKIE, IL 60076
 TEL: 708.424.1100 FAX: 708.424.1101