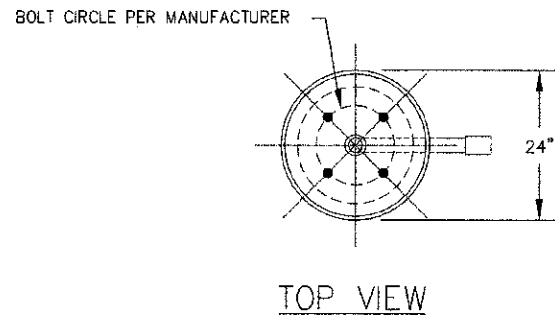
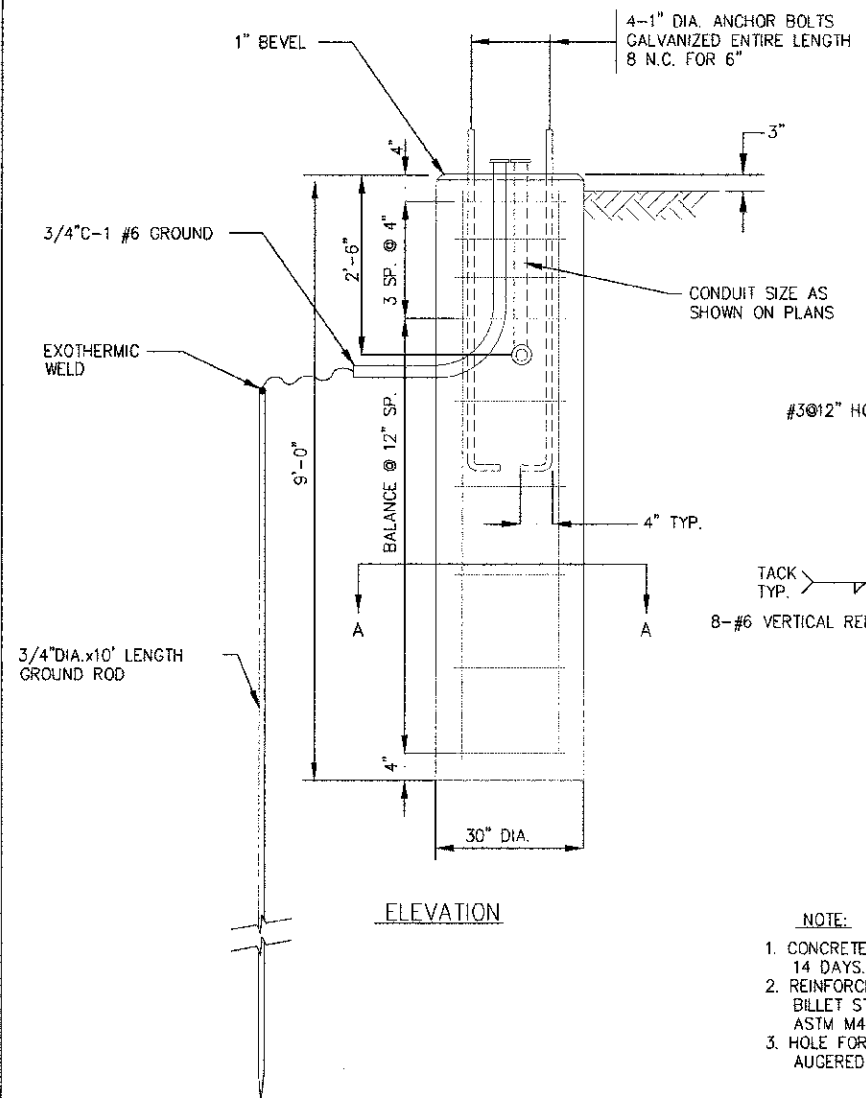


TOP VIEW



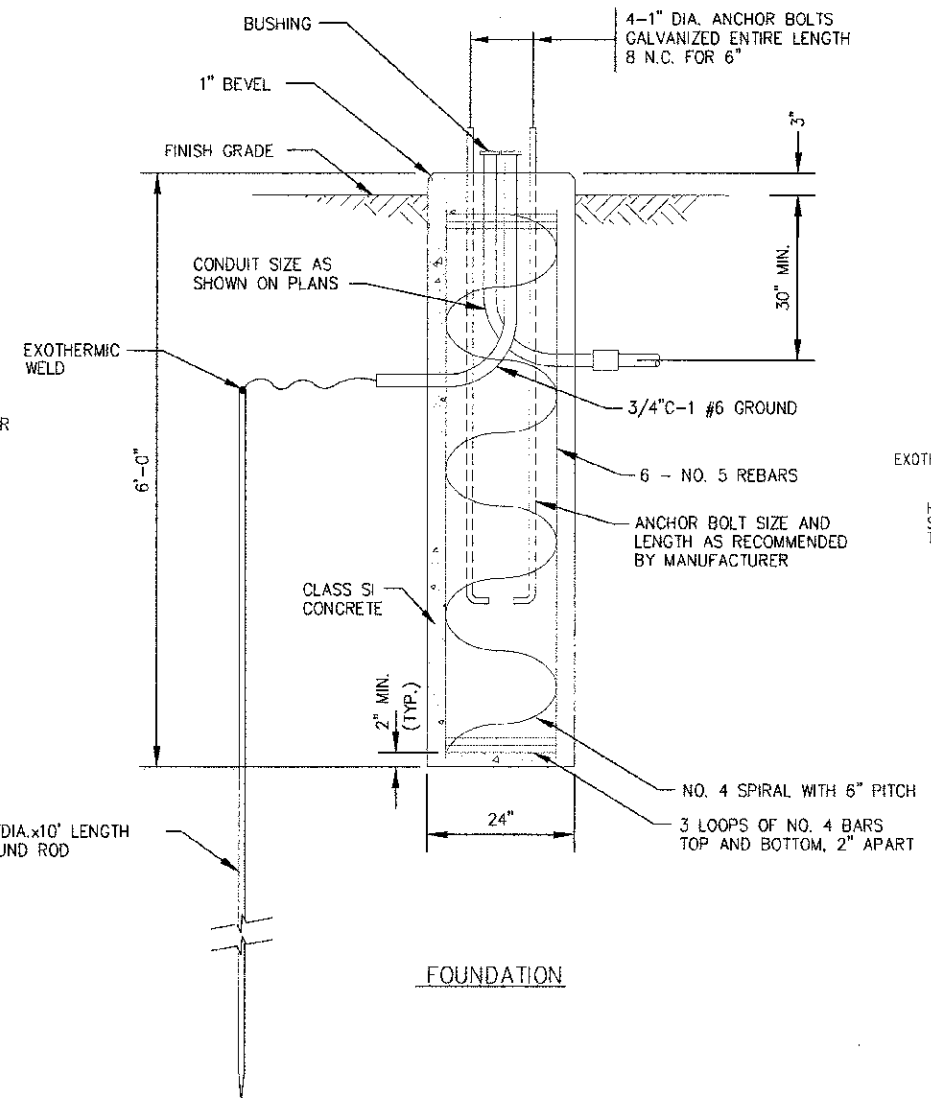
TOP VIEW



ELEVATION

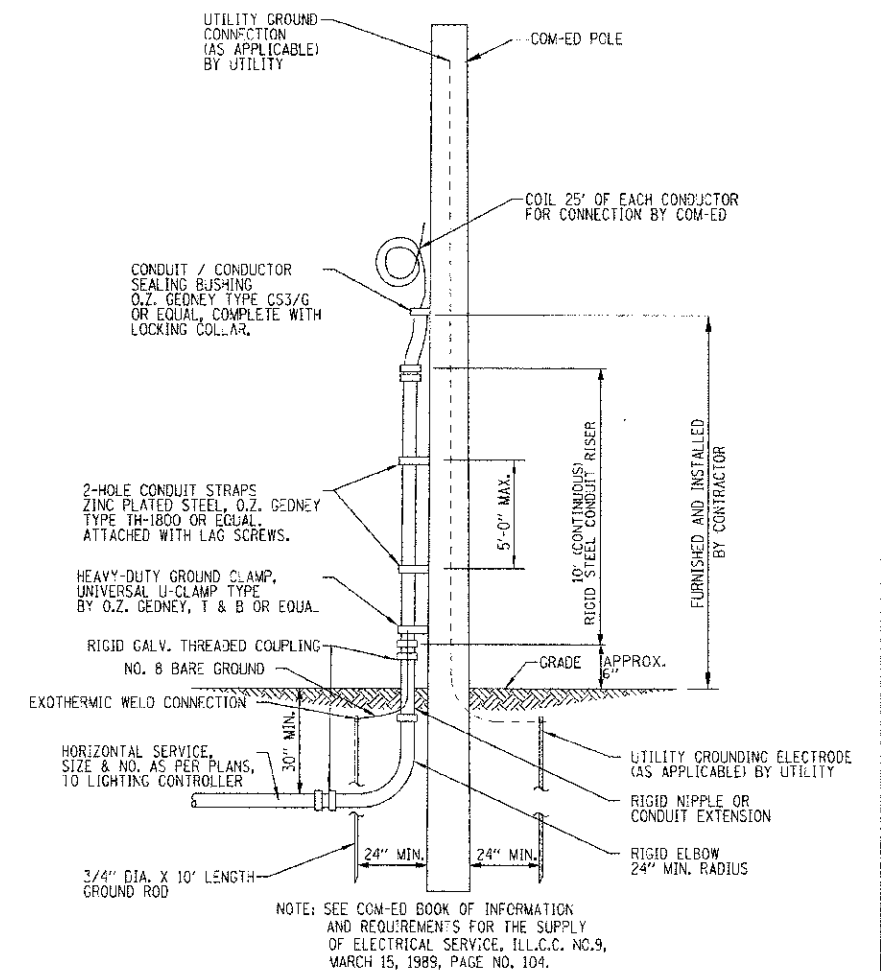
UNIT, COMPLETE & TEARDROP LIGHT UNIT - FOUNDATION  
NO SCALE

- NOTE:
1. CONCRETE SHALL BE 3500 PSI AT 14 DAYS. (CLASS SI)
  2. REINFORCING BARS SHALL BE OF NEW BILLET STEEL AND DEFORMED ASTM M42M (M42)
  3. HOLE FOR THE FOUNDATION SHALL BE AUGERED



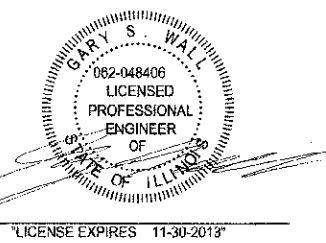
FOUNDATION

SINGLE ACORN LIGHT UNIT - FOUNDATION  
NO SCALE



COM-ED OVERHEAD CONNECTION

- NOTES:
1. UNLESS OTHERWISE INDICATED, ITEMS AND WORK SHALL BE INCLUDED AND PAID AS PART OF THE ELECTRIC SERVICE INSTALLATION PAY ITEM.
  2. HORIZONTAL ELECTRIC SERVICE CONDUCTOR RACEWAY SHALL BE AS INDICATED ON PLANS AND SHALL BE MEASURED SEPARATELY FOR PAYMENT.



COPYRIGHT © 2013 BY BAXTER & WOODMAN, INC.  
 STATE OF ILLINOIS PROFESSIONAL DESIGN FIRM  
 LICENSE NO. 082-048406 EXPIRES 11/30/2013  
 11/17/2012 8:40:20 AM  
 FILE: 100751-SL-details-1.sht



|                |                                |
|----------------|--------------------------------|
| DESIGNED - MWH | REVISED - 8-3-12 PER IDOT      |
| DRAWN - MAC    | REVISED -                      |
| CHECKED - GSW  | REVISED -                      |
| DATE - 5-14-12 | FILE - 100751-SL-details-1.sht |

VILLAGE OF SKOKIE, ILLINOIS  
 F.A.U. ROUTE 1332 E. OAKTON STREET  
 FROM F.A.P. 350 U.S. ROUTE 41 (SKOKIE BOULEVARD) TO LOWELL AVENUE  
 STREETScape IMPROVEMENTS

|        |      |         |
|--------|------|---------|
| SCALE: | STA. | TO STA. |
|--------|------|---------|

|                                |                        |             |                            |              |
|--------------------------------|------------------------|-------------|----------------------------|--------------|
| F.A.U. RTE. 1332               | SECTION 11-C0286-CO-LS | COUNTY COOK | TOTAL SHEETS 29            | SHEET NO. 23 |
| C-91-149-12                    |                        |             | CONTRACT NO. 63737         |              |
| FED. ROAD DIST. NO. 1 ILLINOIS |                        |             | FED. AID PROJECT TE-001889 |              |