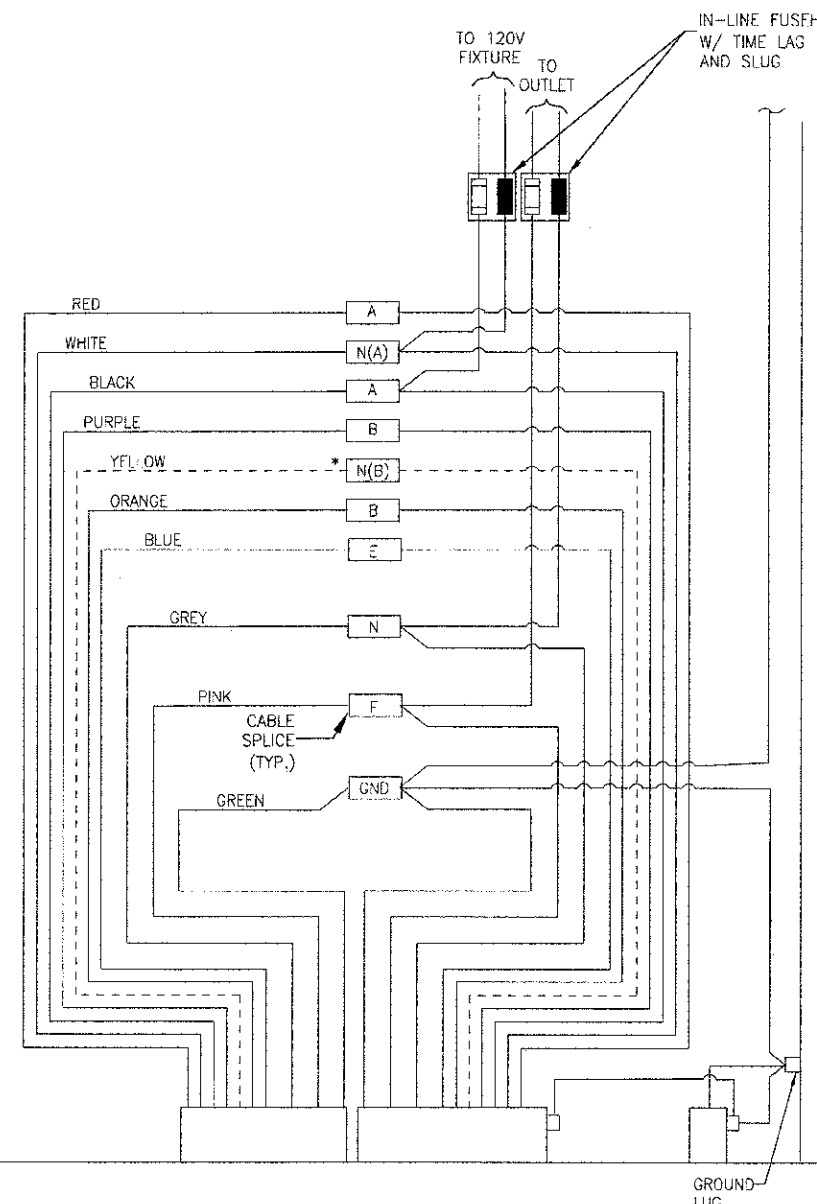
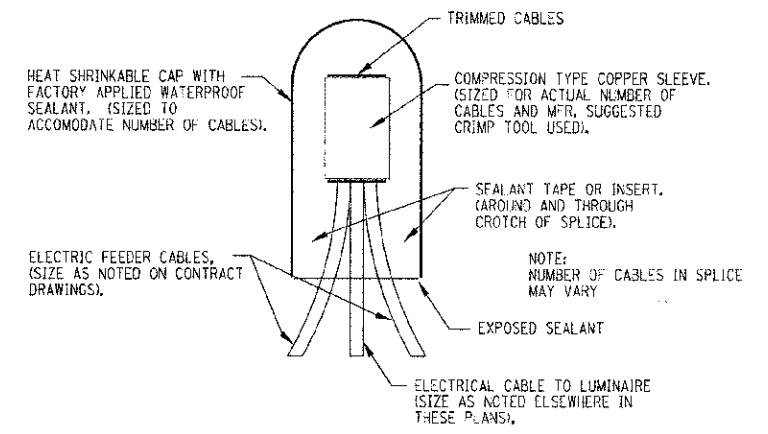


**240V POLE BASE WIRING DETAIL**  
NO SCALE

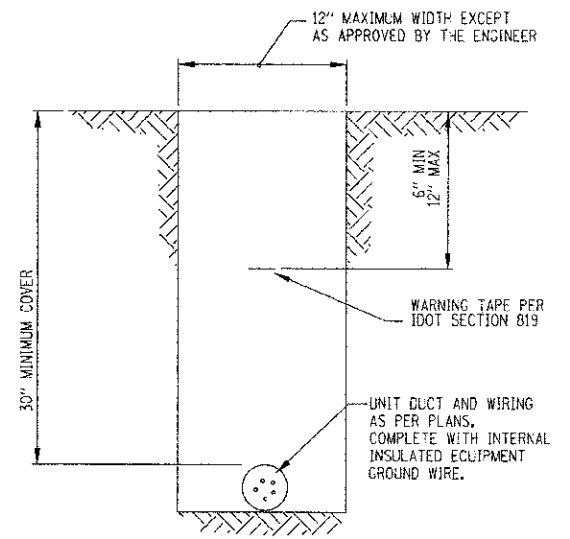


**120V POLE BASE WIRING DETAIL**  
NO SCALE

\*NOTE: ALTERNATE PHASE CIRCUITING OF FESTOONS AND LUMINAIRES AS SHOWN ON SINGLE LINE DIAGRAM (SHTS. 13 & 14).



**SPlicing ELECTRICAL CABLES**  
**BASIC MATERIALS AND METHODS**  
NO SCALE



**TYPICAL WIRING IN TRENCH DETAIL**  
NO SCALE

COPYRIGHT © 2011 BY BAXTER & WOODMAN, INC.  
 ALL RIGHTS RESERVED. PROFESSIONAL DESIGN FIRM  
 13075 15th Lane, Skokie, IL 60076-2001  
 TEL: 847.471.1400 FAX: 847.471.1401  
 WWW.BAXTERANDWOODMAN.COM



DESIGNED - MWH	REVISED - 8-3-12 PER IDOT
DRAWN - MAC	REVISED -
CHECKED - OSW	REVISED -
DATE - 5-14-12	FILE - 100751-SL-details-1.eht

**VILLAGE OF SKOKIE, ILLINOIS**  
**F.A.U. ROUTE 1332 E. OAKTON STREET**  
**FROM F.A.P. 350 U.S. ROUTE 41 (SKOKIE BOULEVARD) TO LOWELL AVENUE**  
**STREETSCAPE IMPROVEMENTS**

**STREET LIGHTING DETAILS**  
 SCALE: NONE STA. TO STA.

F.A.U. RTE. 1332	SECTION 11-00286-00-LS C-91-149-12	COUNTY COOK	TOTAL SHEETS NO. 29
FED. ROAD DIST. NO. 3 (ILLINOIS)		FED. AID PROJECT TE-0010891	

