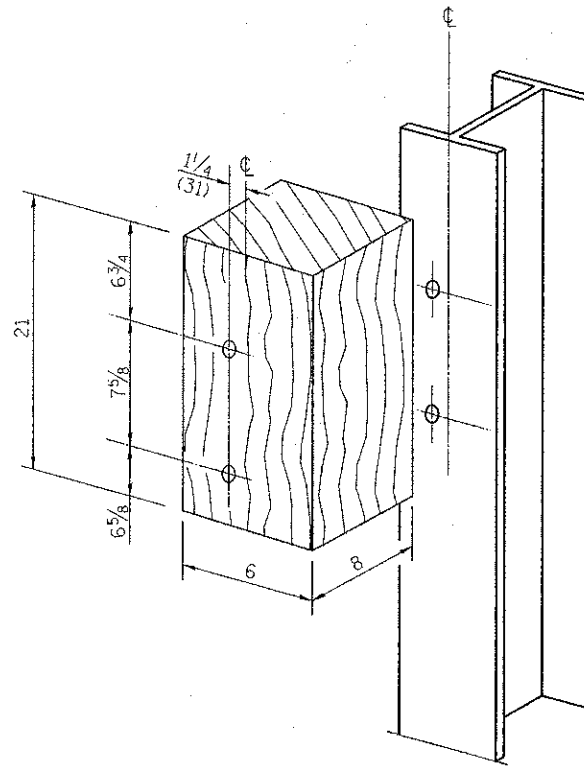
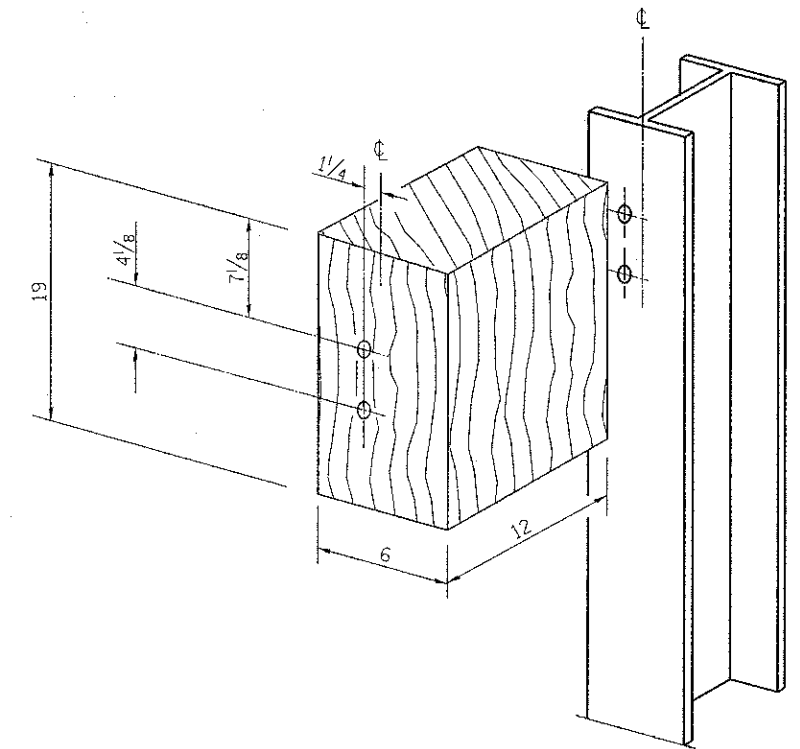


SECTION C-C

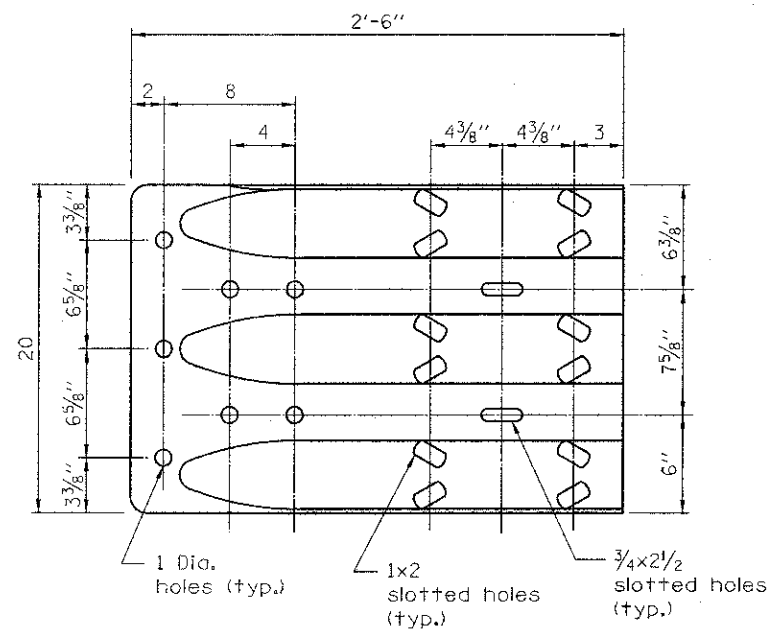
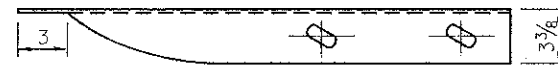


POSTS 1-11 WOOD BLOCKOUT DETAIL

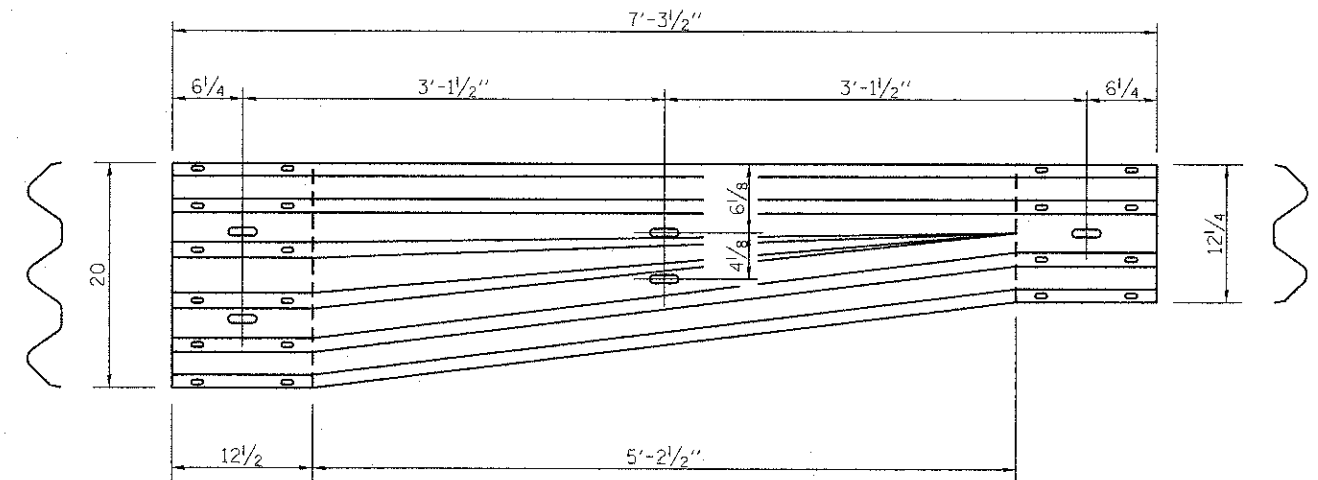


POST 12 WOOD BLOCKOUT DETAIL

(See Standard 630001 for post 13-17 blockouts.)



MODIFIED THRIE BEAM END SHOE DETAIL



TRANSITION SECTION
(10 gauge rail element)

FILE NAME: \\1725-012 Lawrence phase 11\cadd sheet\structure\0563184-008-032.dgn

Bollinger, Lach & Associates, Inc.
ITASCA, ILLINOIS

USER NAME = genzelo
PLOT SCALE =
PLOT DATE = 8/16/2012

DESIGNED *JMT*
CHECKED *JJI*
DRAWN *GM*
CHECKED *JJI*

REVISED -
REVISED -
REVISED -
REVISED -

McHENRY COUNTY
DIVISION OF TRANSPORTATION
LAWRENCE ROAD BRIDGE OVER PISCASAW CREEK

TRAFFIC BARRIER TERMINAL, TYPE 6A (SPECIAL) II
STRUCTURE NO. 056-3184
SHEET NO. 32 OF 33 SHEETS

F.A.S. RTE.	SECTION	COUNTY	TOTAL SHEETS	SHEET NO.
0028	08-00355-01-BR	McHENRY	87	64
CONTRACT NO. 63694			ILLINOIS FED. AID PROJECT	

(Sheet 2 of 3)