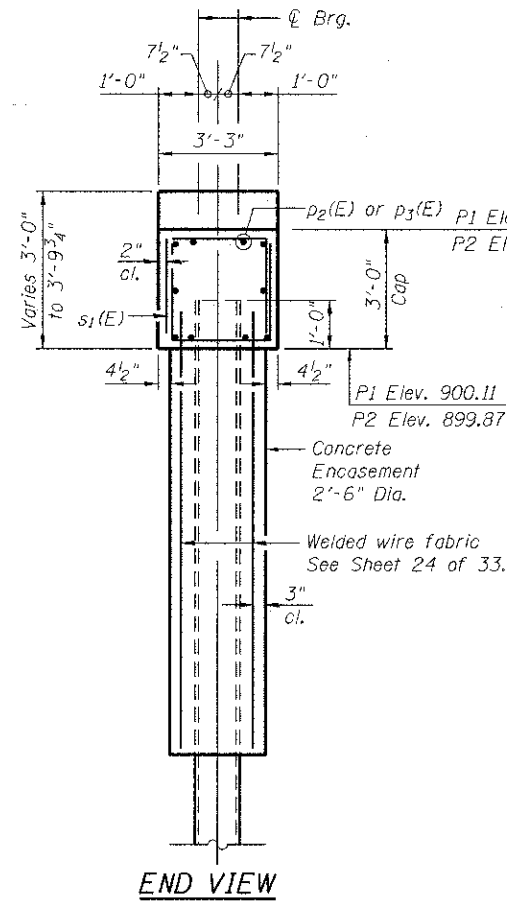
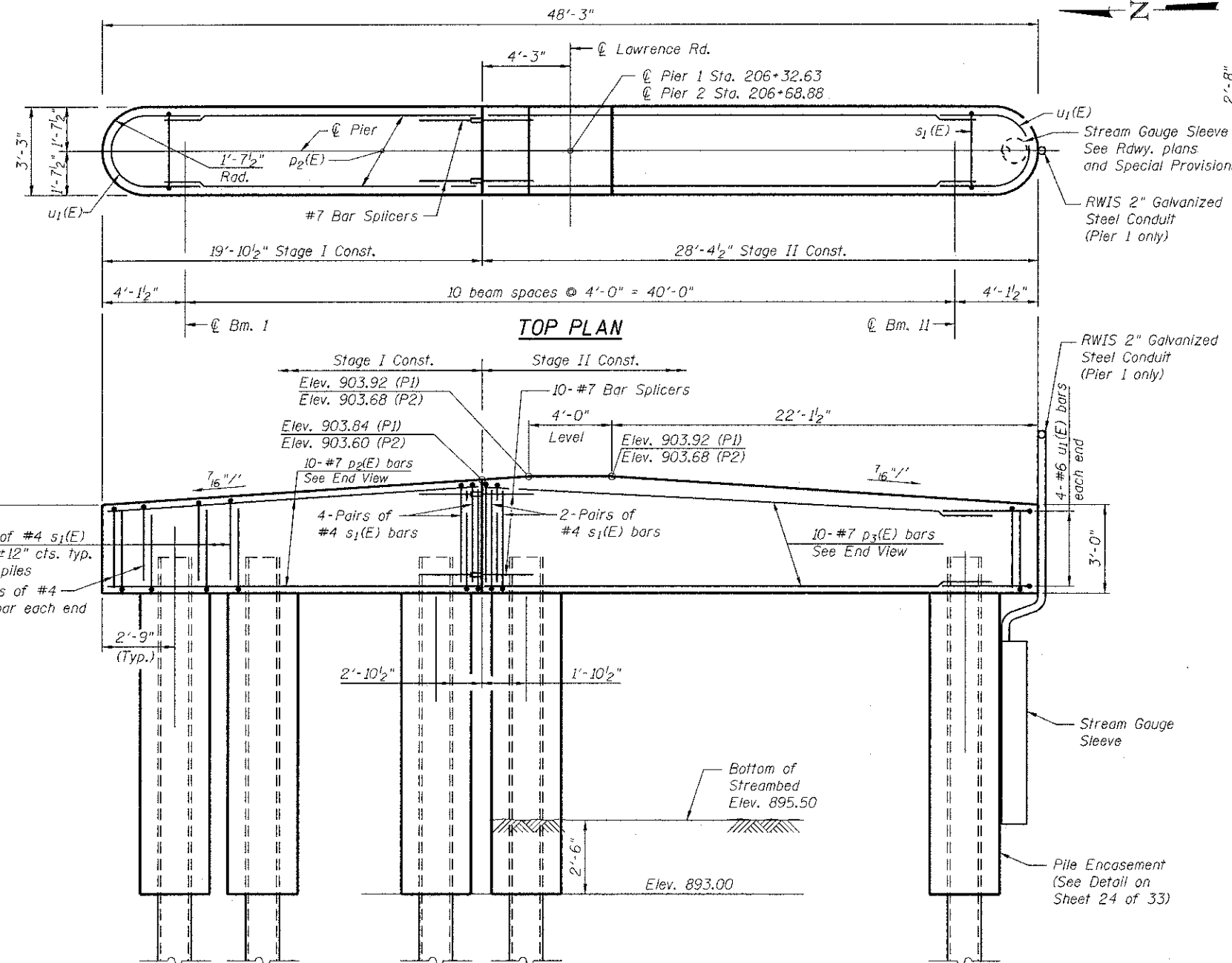


Notes:

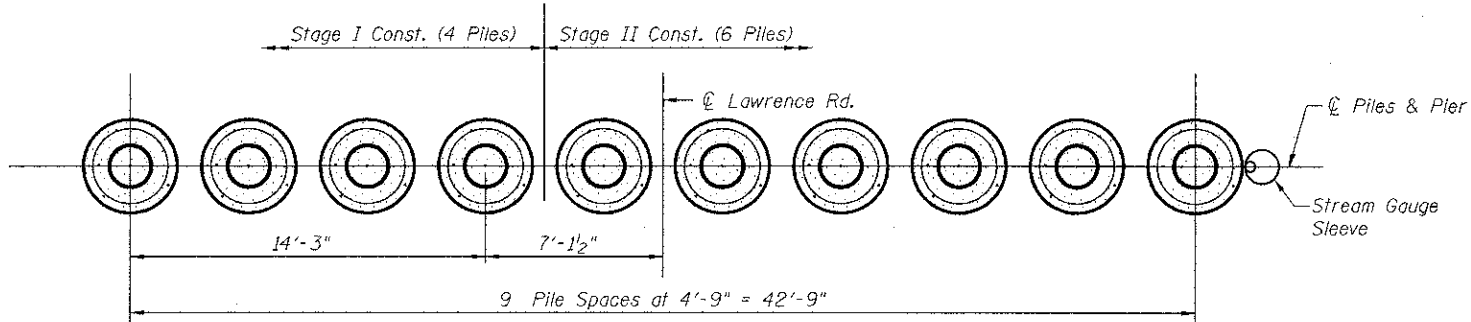
For details of piles, see sheet 24 of 33.
 If a portion of the concrete encasement is under water, reinforcement may be placed underwater into forms. Concrete shall be tremied according to Article 503.08 of the Standard Specifications to an elevation of 1'-0" above the water line at the time of construction.



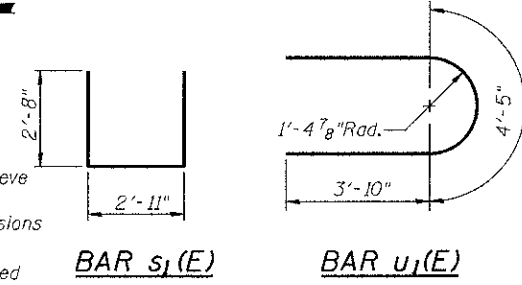
END VIEW



ELEVATION
(Looking East)



PLAN



BAR s₁(E) **BAR u₁(E)**

PIER 1 BILL OF MATERIAL

Bar	No.	Size	Length	Shape	
p ₂ (E)	10	#7	17'-11"	—	
p ₃ (E)	10	#7	26'-5"	—	
s ₁ (E)	100	#4	8'-3"	U	
u ₁ (E)	8	#6	12'-1"	hook	
Concrete Structures				Cu. Yd.	19.6
Reinforcement Bars, Epoxy Coated				Pound	1610
Furnishing Metal Shell Piles 12"x0.25"				Foot	396
Driving Piles				Foot	396
Test Pile Metal Shells				Each	1
Concrete Encasement				Cu. Yd.	11.0
Bar Splicers				Each	10

PIER 2 BILL OF MATERIAL

Bar	No.	Size	Length	Shape	
p ₂ (E)	10	#7	17'-11"	—	
p ₃ (E)	10	#7	26'-5"	—	
s ₁ (E)	100	#4	8'-3"	U	
u ₁ (E)	8	#6	12'-1"	hook	
Concrete Structures				Cu. Yd.	19.6
Reinforcement Bars, Epoxy Coated				Pound	1610
Furnishing Metal Shell Piles 12"x0.25"				Foot	396
Driving Piles				Foot	396
Test Pile Metal Shells				Each	1
Concrete Encasement				Cu. Yd.	10.6
Bar Splicers				Each	10

PIER 1 PILE DATA

Type: Metal Shell Piles 12" φ with 0.25" walls
 Nominal Required Bearing: 273 kips
 Factored Resistance Available: 150 kips
 Est. Length: 44'
 No. Production Piles: 9
 No. Test Piles: 1

PIER 2 PILE DATA

Type: Metal Shell Piles 12" φ with 0.25" walls
 Nominal Required Bearing: 273 kips
 Factored Resistance Available: 150 kips
 Est. Length: 44'
 No. Production Piles: 9
 No. Test Piles: 1

FILE NAME = w:\755-012 Lawrence rd bridge at road\structure\0563184-008-023.dgn
 USER NAME = gonzalo
 DESIGNED JMT
 CHECKED JJI
 DRAWN GM
 CHECKED JJI
 REVISIONS
 McHENRY COUNTY
 DIVISION OF TRANSPORTATION
 LAWRENCE ROAD BRIDGE OVER PISCASAW CREEK
 PIERS 1 & 2
 STRUCTURE NO. 056-3184
 SHEET NO. 23 OF 33 SHEETS
 F.A.S. RTE. 002B SECTION 08-00355-01-BR COUNTY McHENRY TOTAL SHEETS 87 SHEET NO. 55 CONTRACT NO. 63694 ILLINOIS FED. AID PROJECT



USER NAME = gonzalo	DESIGNED JMT	REVISIONS
DESIGNED JMT	CHECKED JJI	REVISIONS
CHECKED JJI	DRAWN GM	REVISIONS
DRAWN GM	CHECKED JJI	REVISIONS
CHECKED JJI		REVISIONS

McHENRY COUNTY
 DIVISION OF TRANSPORTATION
 LAWRENCE ROAD BRIDGE OVER PISCASAW CREEK

PIERS 1 & 2
 STRUCTURE NO. 056-3184
 SHEET NO. 23 OF 33 SHEETS

F.A.S. RTE. 002B	SECTION 08-00355-01-BR	COUNTY McHENRY	TOTAL SHEETS 87	SHEET NO. 55
CONTRACT NO. 63694			ILLINOIS FED. AID PROJECT	