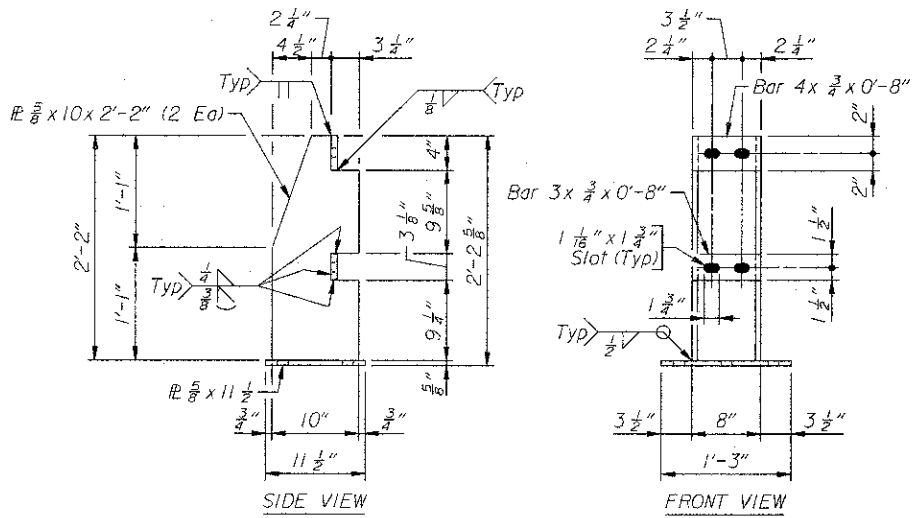


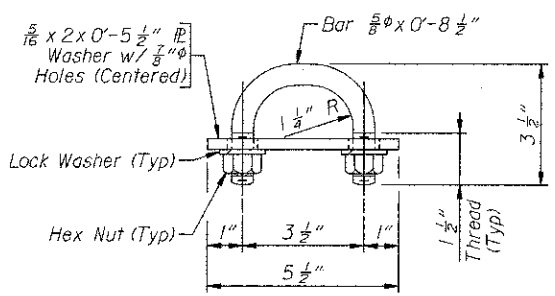
**ASSEMBLY DETAIL**

(Shown near & Post)  
(CWS shown, East approach slab similar)

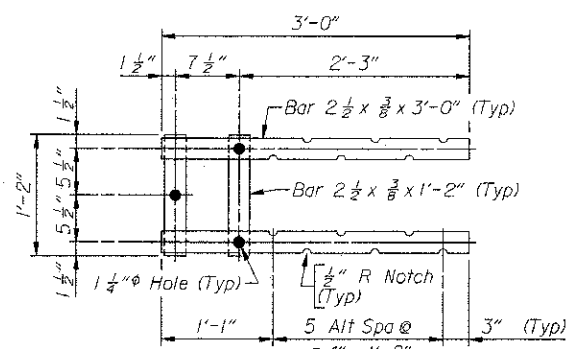


**POST DETAIL**

(See View A-A for anchor bolt hole spacing)

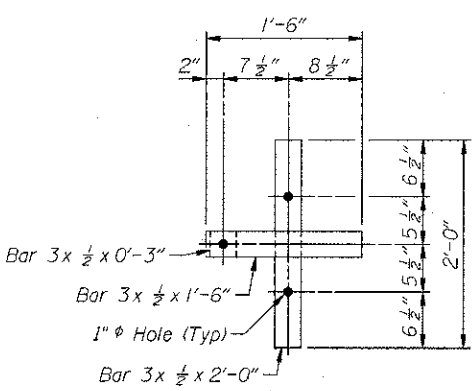


**RAIL BOLT DETAIL**



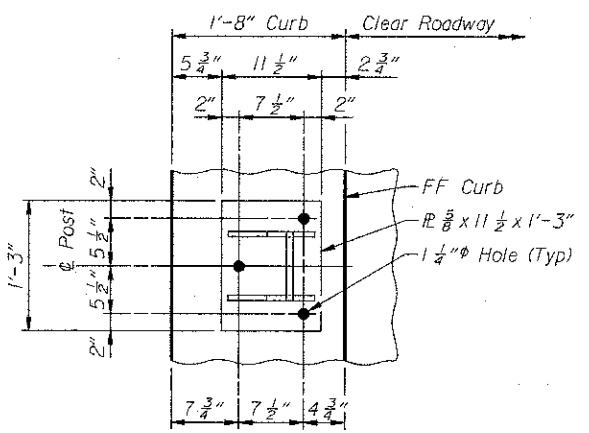
**SECTION B-B**

(Showing upper anchorage)  
(Anchor bolts and slab not shown)



**SECTION B-B**

(Showing lower anchorage)  
(Anchor bolts and slab not shown)



**VIEW A-A**

(Anchor bolts, rails, and rail bolts not shown)

**Notes:**

- 1) Anchor bolts may be tack welded to lower anchorage (Shop or field).
- 2) At post locations, drill two 1 1/8"  $\phi$  holes in the rails to receive rail bolts (Shop or field). See Post Details for hole spacing.
- 3) Before installing rails, paint all cut, drilled, or otherwise damaged surface areas of the railing components according to Article 509.05 of the Standard Specifications.
- 4) After installing the rails, point all exposed bolt threads according to Article 509.05 of the Standard Specifications.
- 5) Steel components shall be galvanized according to Article 509.05 of the Standard Specifications, unless noted otherwise.
- 6) Shim plates shall be provided in accordance with Article 509.05(a) of the Standard Specifications.

(Sheet 1 of 2)

FILE NAME: \\A755-B12.lawrence\phases\1\asoadf\sheet\structure\0553184-000-015.dgn

	USER NAME = gonzalo DESIGNED <i>JJI</i> CHECKED <i>JMT</i> DRAWN <i>GM</i> CHECKED <i>JMT</i>	REVISED - REVISED - REVISED - REVISED -	<b>McHENRY COUNTY</b> <b>DIVISION OF TRANSPORTATION</b> <b>LAWRENCE ROAD BRIDGE OVER PISCASAW CREEK</b>	<b>WYOMING 2-TUBE STEEL RAILING</b> <b>STRUCTURE NO. 056-3184</b> SHEET NO. 15 OF 33 SHEETS	F.A.S. RTE. 0028 SECTION 08-00355-01-BR COUNTY McHENRY TOTAL SHEETS 87 SHEET NO. 47	CONTRACT NO. 63694 ILLINOIS FED. AID PROJECT
	PLOT SCALE = PLOT DATE = 8/16/2012					