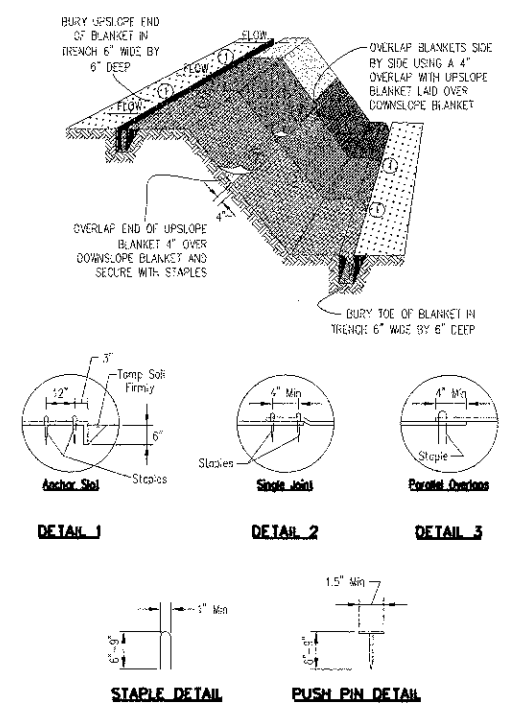
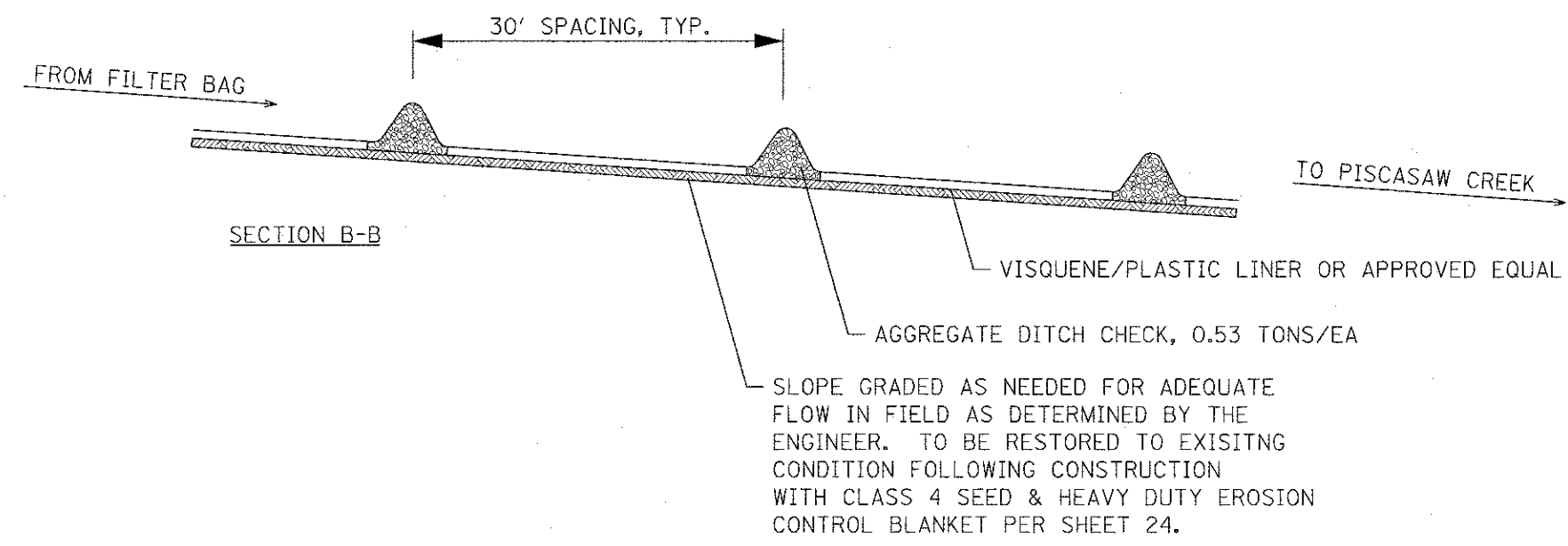


TEMPORARY DEWATERING DITCH DETAIL

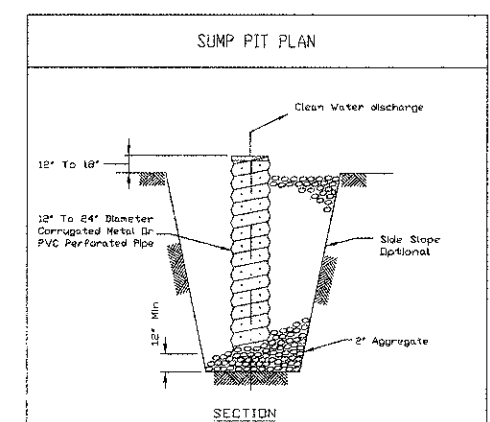
NOTE:
 TEMPORARY DEWATERING DITCH AND ALL ITEMS SHOWN HEREIN WITH THE EXCEPTION OF AGGREGATE DITCH CHECKS AND PERIMETER EROSION BARRIER TO BE PAID FOR AS "DEWATERING" - LUMP SUM AS DESCRIBED IN THE PROJECT SPECIFICATIONS.



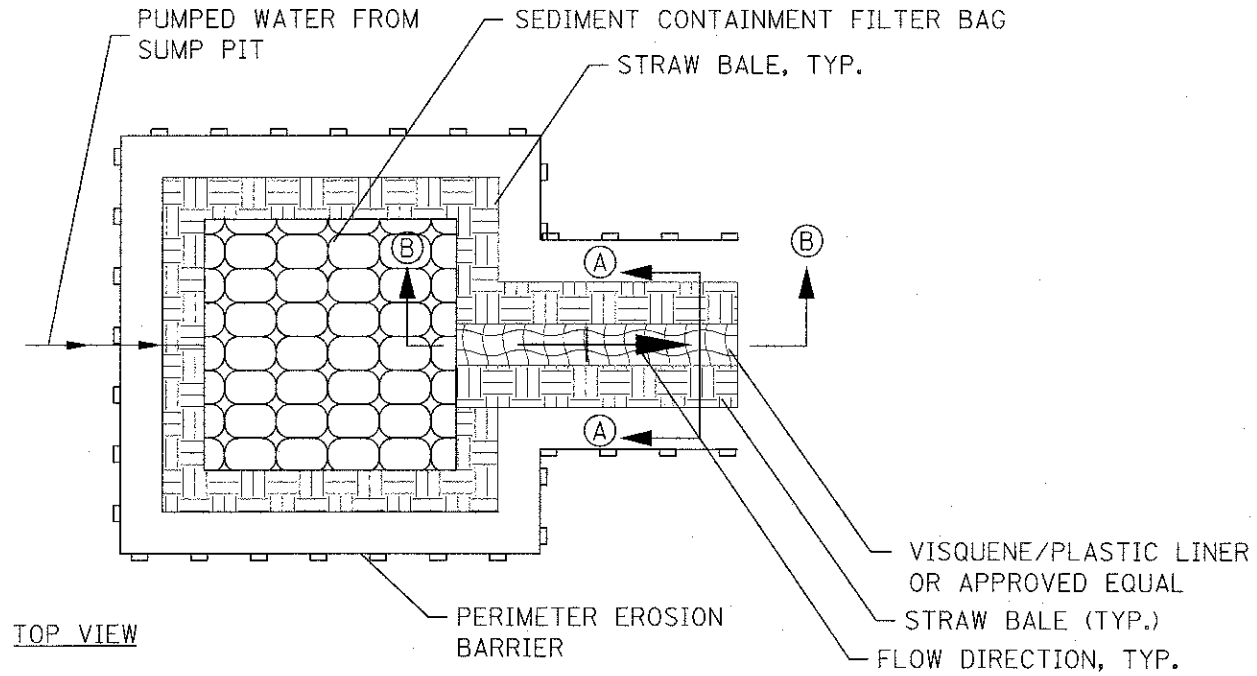
- NOTES:**
- Staples shall be placed in a diamond pattern of 2 per s.y. for stoned blankets. Non-stapled shall use 4 staples per s.y. of material. This equates to 200 staples with stoned blanket and 400 staples with non-stoned blanket per 100 s.y. of material.
 - Staple or push pin lengths shall be selected based on soil type and conditions. (minimum staple length is 6")
 - Erosion control material shall be placed in contact with the soil over a prepared seedbed.
 - All anchor slots shall be stapled at approximately 12" intervals.

EROSION CONTROL BLANKET INSTALLATION DETAILS

TEMPORARY DEWATERING SUMP DETAIL

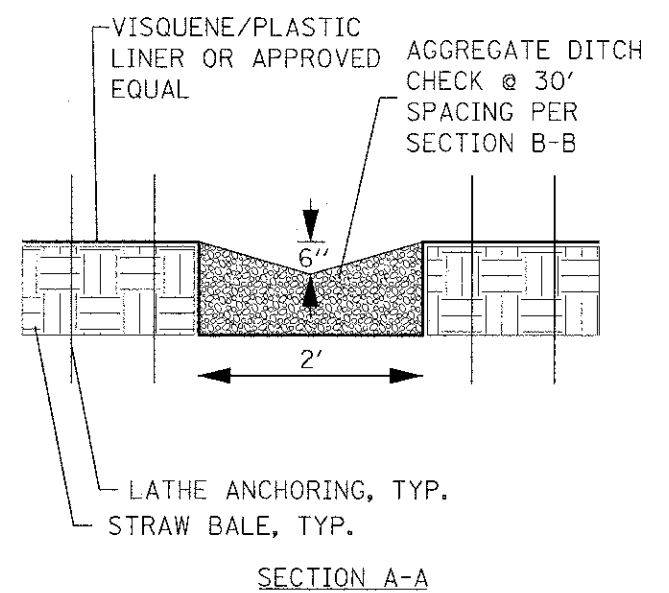


- NOTES:**
- Pit dimensions are optional.
 - The standpipe will be constructed by perforating a 12"-24" diameter corrugated metal or PVC pipe.
 - A base of 2" aggregate will be placed in the pit to a minimum depth of 12". After installing the standpipe, the pit surrounding the standpipe will then be backfilled with 2" aggregate.
 - The standpipe will extend 12" to 18" above the lip of the pit.
 - If discharge will be pumped directly to a storm drainage system, the standpipe will be wrapped with filter fabric before installation.
 - If desired, 1/4"-1/2" hardware cloth may be placed around the standpipe prior to attaching the filter fabric. This will increase the rate of water seepage into the pipe.



TEMPORARY DEWATERING SUMP NOTES:

- IF DETWATERING IS NECESSARY, THE INLET OF THE HOSE SHALL BE PLACED IN A SUMP PIT AT THE LOCATION SHOWN ON THE EROSION CONTROL PLANS FOR STAGE I AND STAGE II CONSTRUCTION AND PUMPED INTO A DEWATERING SYSTEM PRIOR TO REJOINING THE FLOW OF THE CREEK.
- REFER TO PROJECT SPECIFICATIONS FOR DEWATERING SUMP USE AND METHODOLOGY. SUMP PIT AND ALL APPURTENANCES SHOWN IN THE DETAIL SHALL BE PAID FOR IN THE COST FOR "DEWATERING."



FILE NAME = M:\755-012_Lawrence Road Phase II\CADD SHEETS\755-012-dwt-Detailed EC.dwg