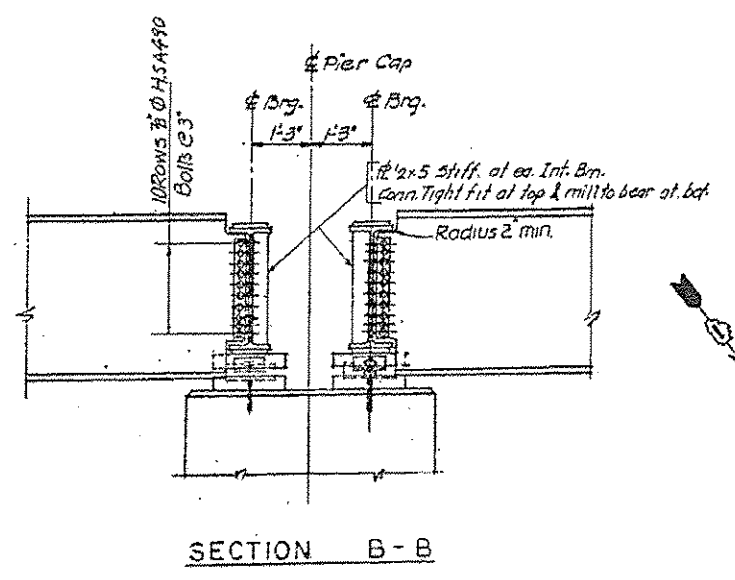
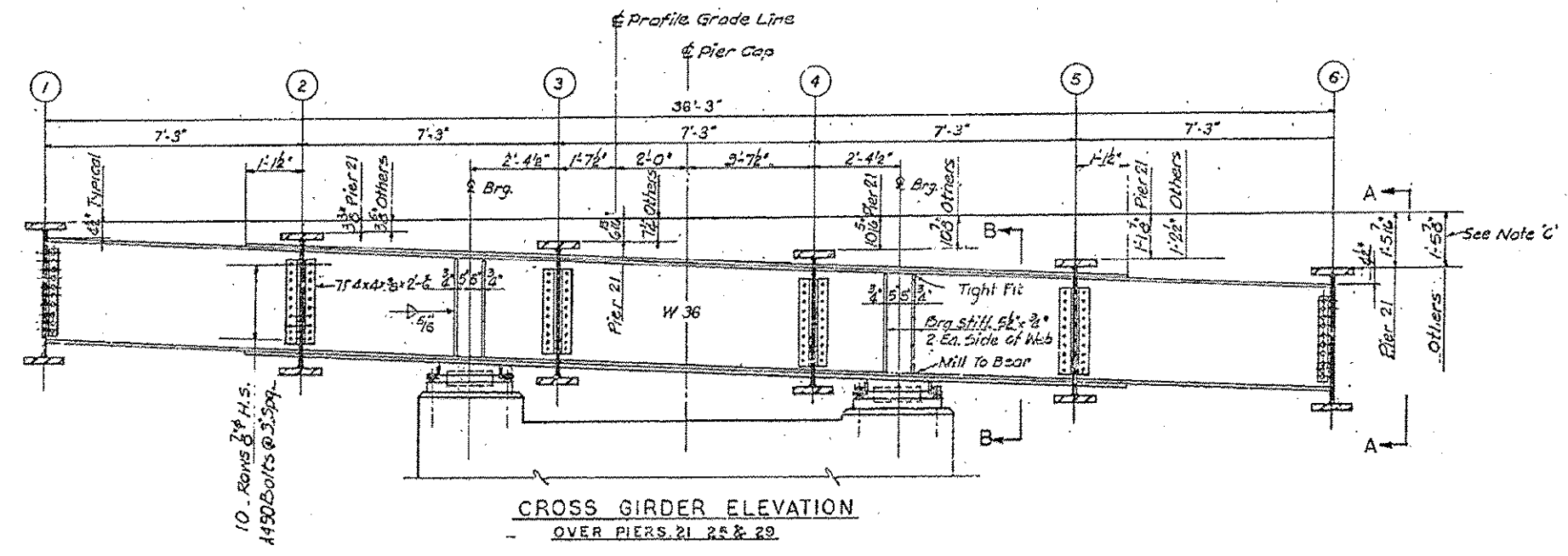
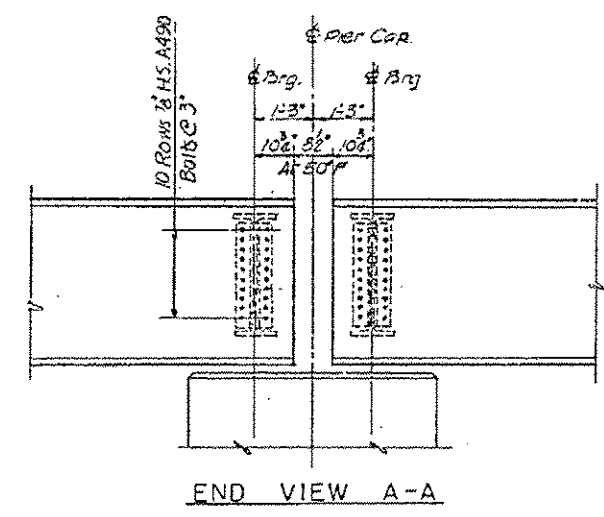


Note C:-
The Vertical offsets shown are for fabrication only and should be adjusted for dead load deflection of Cross Girder.



FILE NAME *	USER NAME * reichenbach1	DESIGNED -	REVISED -	STATE OF ILLINOIS DEPARTMENT OF TRANSPORTATION	CROSS GIRDER ELEVATION PLAN		F.A.P. RTE.	SECTION	COUNTY	TOTAL SHEETS	SHEET NO.
01\pv\work\p\sidot\reichenbach1\031377	0100513-sht-plan.dgn	DRAWN -	REVISED -		SN 016-2467: US 12/20/45 OVER DES PLAINES RIVER & SANTA FE DR	330	2012-054 BP	COOK	75	67	
		CHECKED -	REVISED -		SCALE:	SHEET 24 OF 30 SHEETS	STA.	CONTRACT NO. 60V56			
		DATE -	REVISED -				TO STA.	ILLINOIS FED. AID PROJECT			
MODELNAME*	PLOT DATE * 9/28/2012										