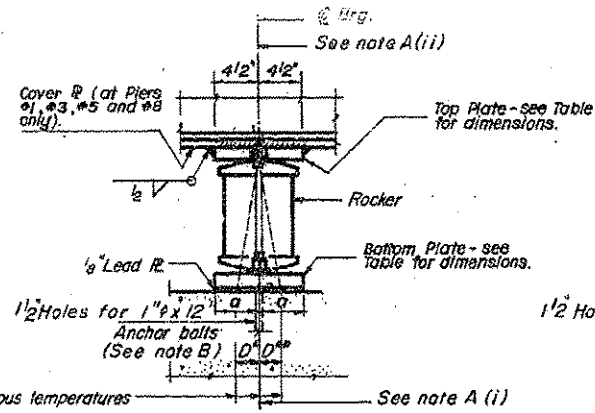
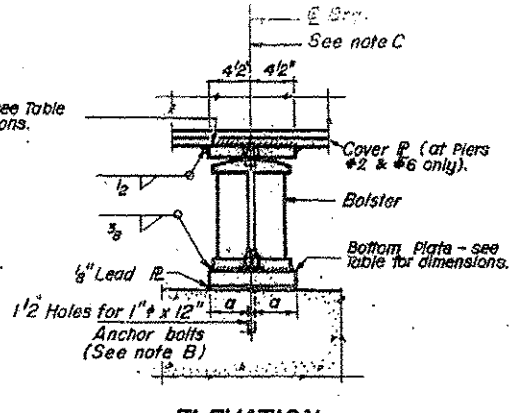


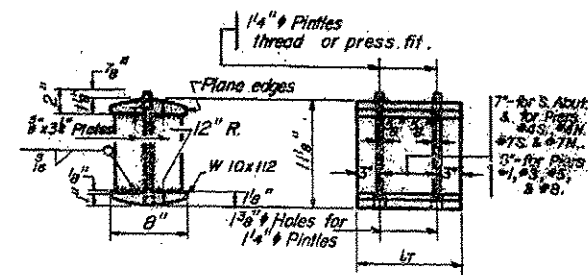
**SECTION**



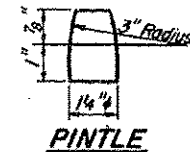
**ELEVATION**



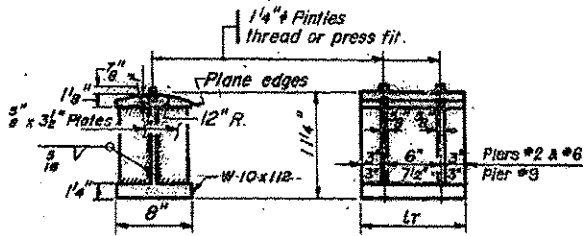
**ELEVATION**



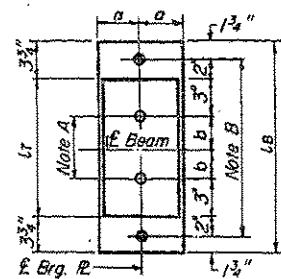
**ROCKER-PIERS**



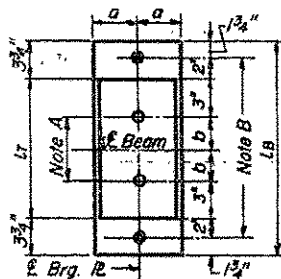
**PINTLE**



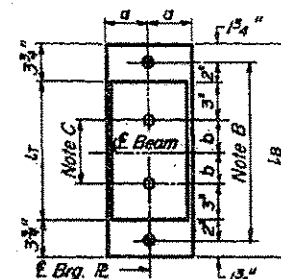
**BOLSTER-PIERS**



**PLAN AT ABUTMENT**



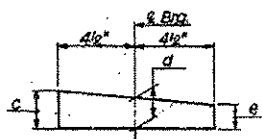
**PLAN AT PIER**



**PLAN AT PIER**

**NOTE B**  
1/2 inch holes for 1 inch anchor bolts.  
1/2 x 2 1/2 x 2 1/2 inch R. Washer under nut.

**BEARING ASSEMBLY DETAILS**



**TOP BEARING PLATE DETAIL**

FILE NAME *	USER NAME * honga	DESIGNED -	REVISED -	<b>STATE OF ILLINOIS DEPARTMENT OF TRANSPORTATION</b>	<b>BEARING DETAILS</b>		F.A.P. RTE.	SECTION	COUNTY	TOTAL SHEETS	SHEET NO.
cd:\pv_work\pvd\dot\honga\2012\12\12\010251	wh-plandgn	DRAWN -	REVISED -		SN 016-2406: US 12/2045 OVER S&S AND I&M CANALS, AND ICG RR	330	2012-054 BP	COOK	75	15	
#MODELNAME#	PLOT SCALE * 100.0000 / in.	CHECKED -	REVISED -		SCALE:	SHEET 10	OF 11 SHEETS	STA.	TO STA.	CONTRACT NO. 60V56	
	PLOT DATE * 9/28/2012	DATE -	REVISED -							ILLINOIS FED. AID PROJECT	