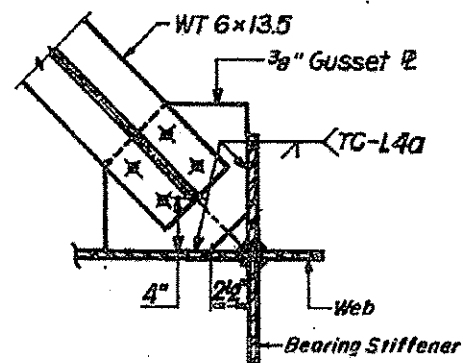


TYPICAL END CROSS FRAME CF6
No. Required - 8



**TYPICAL CONNECTION PLATE
AT END CORNERS**
Note: "C"

FILE NAME *	USER NAME * honge	DESIGNED -	REVISED -
c:\pvc_work\pvc\dcs\honge\18313773-D18051	skt-plandgn	DRAWN -	REVISED -
#MODELNAME#	PLOT SCALE * 1/8" = 1' / in.	CHECKED -	REVISED -
	PLOT DATE * 9/28/2012	DATE -	REVISED -

STATE OF ILLINOIS
DEPARTMENT OF TRANSPORTATION

CROSS FRAME DETAILS
SN 016-2406: US 12/2045 OVER S&S AND I&M CANALS, AND ICG RR
SCALE: SHEET 8 OF 11 SHEETS STA. TO STA.

F.A.P. RTE.	SECTION	COUNTY	TOTAL SHEETS	SHEET NO.
330	2012-054 BP	COOK	75	13
CONTRACT NO. 60V56				
ILLINOIS FED. AID PROJECT				