

**EAST ABUTMENT
BILL OF MATERIAL**

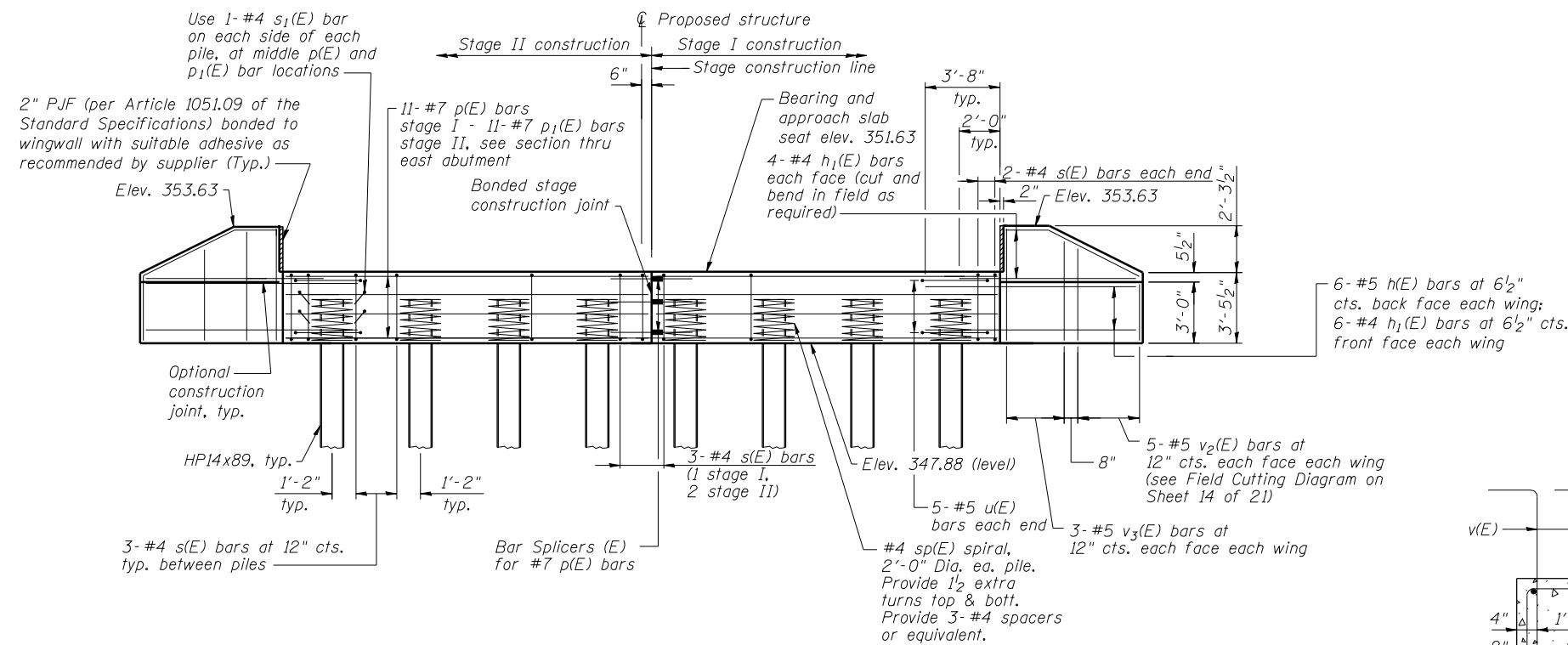
Bar	No.	Size	Length	Shape	
h(E)	12	#5	10'-6"	—	
h ₁ (E)	28	#4	8'-10"	—	
p(E)	11	#7	16'-10"	—	
p ₁ (E)	11	#7	17'-10"	—	
s(E)	25	#4	12'-9"	□	
s ₁ (E)	32	#4	3'-11"	┌	
sp(E)	8	#4	2'-0"	MWWM	
u(E)	10	#5	9'-11"	□	
v(E)	70	#5	5'-10"	┌	
v ₁ (E)	35	#5	6'-8"	┌	
v ₂ (E)	10	#5	8'-8"	—	
v ₃ (E)	12	#5	5'-6"	—	
Structure Excavation				Cu. Yd.	70
Concrete Structures				Cu. Yd.	17.3
Reinforcement Bars, Epoxy Coated				Pound	2680
Furnishing Steel Piles, HP14x89				Foot	488
Driving Piles				Foot	488
Granular Backfill for Structures				Cu. Yd.	33
Geocomposite Wall Drain				Sq. Yd.	22
Pipe Underdrains for Structures, 4"				Foot	63
Bar Splicers				Each	11

*Length is height of spiral.

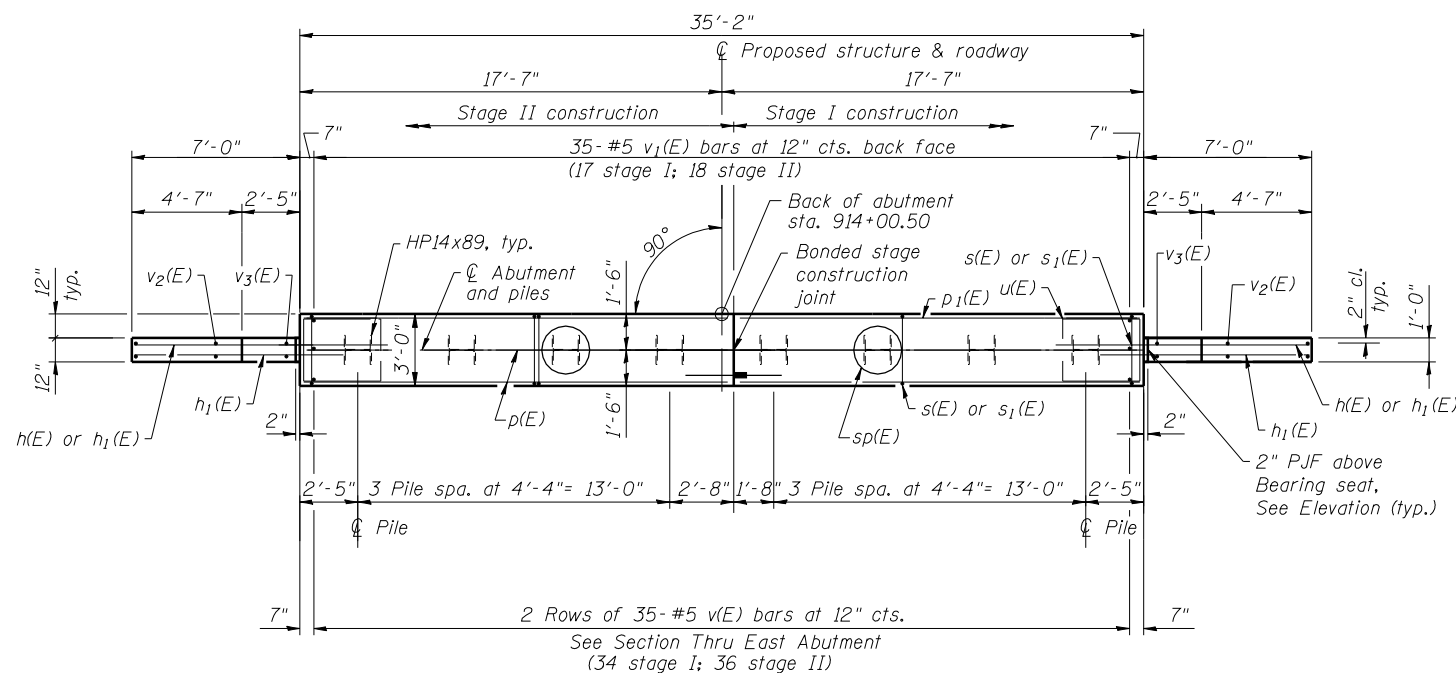
For details of piles, see sheet 18 of 21.
For details of Bar Splicers, see sheet 19 of 21.
For bar bending details, see sheet 14 of 21.

PILE DATA

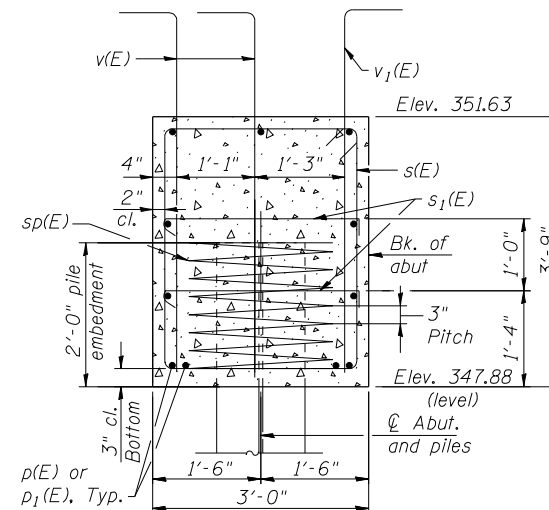
Type: Steel HP14x89
Nominal Required Bearing: 705 kips
Factored Resistance Available: 388 kips
Estimated Length: 61'
No. of Production Piles: 8
No. of Test Piles: 0



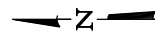
ELEVATION



PLAN



**SECTION THRU
EAST ABUTMENT**



USER NAME = has	DESIGNED - SHL 12/12	REVISED -
ESCA PROJECT NO. 988.12	CHECKED - RDP 03/13	REVISED -
PLOT SCALE = 1/2" = 1' / IN.	DRAWN - HAS 12/12	REVISED -
PLOT DATE = 8/2/2013 11:39:58 AM	CHECKED - ELH 07/13	REVISED -

**STATE OF ILLINOIS
DEPARTMENT OF TRANSPORTATION**

**EAST ABUTMENT
STRUCTURE NO. 076-0032**

SHEET NO. 15 OF 21 SHEETS

F.A.P. RTE.	SECTION	COUNTY	TOTAL SHEETS	SHEET NO.
885	112B-1	POPE	56	37
ILLINOIS FED. AID PROJECT AID			CONTRACT NO. 78230	