

**WEST ABUTMENT
BILL OF MATERIAL**

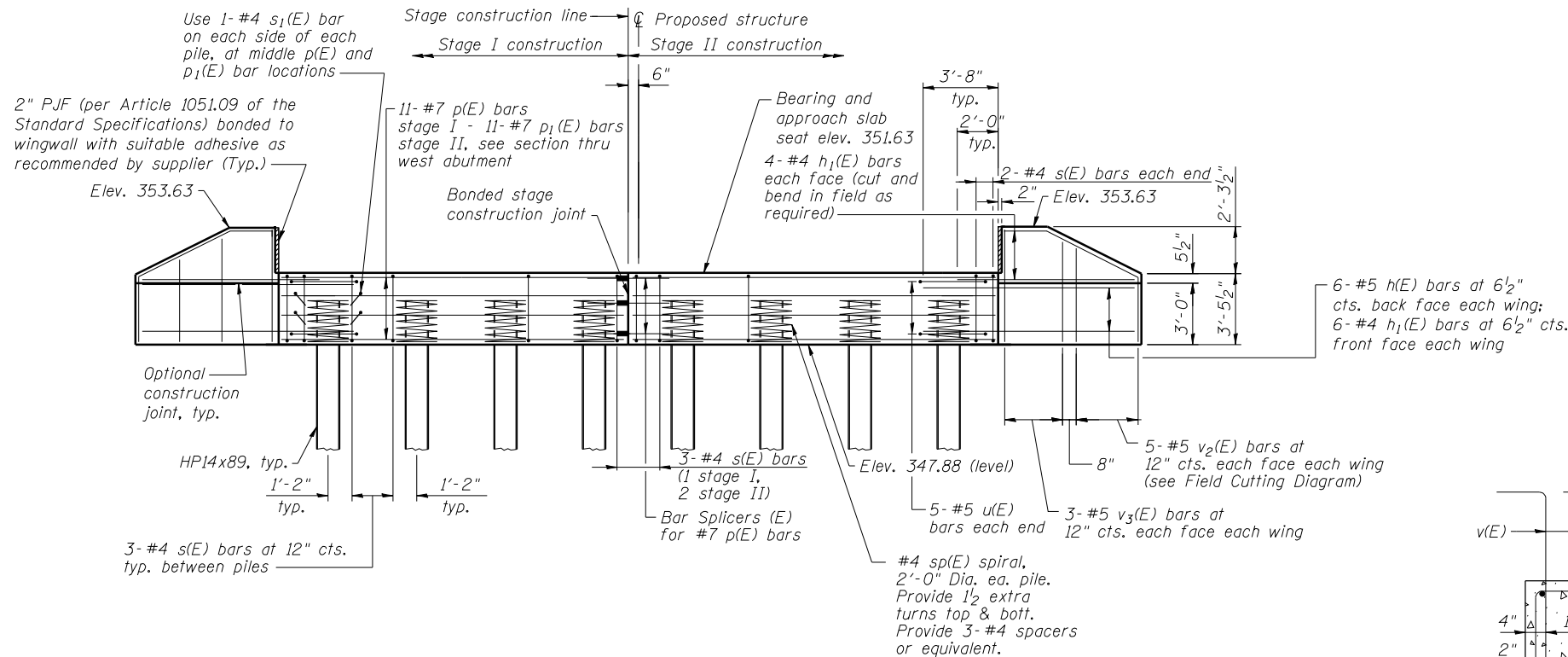
Bar	No.	Size	Length	Shape
h(E)	12	#5	10'-6"	—
h ₁ (E)	28	#4	8'-10"	—
p(E)	11	#7	16'-10"	—
p ₁ (E)	11	#7	17'-10"	—
s(E)	25	#4	12'-9"	□
s ₁ (E)	32	#4	3'-11"	┌
sp(E)	8	#4	2'-0"	W
u(E)	10	#5	9'-11"	□
v(E)	70	#5	5'-10"	┌
v ₁ (E)	35	#5	6'-8"	┌
v ₂ (E)	10	#5	8'-8"	—
v ₃ (E)	12	#5	5'-6"	—
Structure Excavation			Cu. Yd.	70
Concrete Structures			Cu. Yd.	17.3
Reinforcement Bars, Epoxy Coated			Pound	2680
Furnishing Steel Piles, HP14x89			Foot	504
Driving Piles			Foot	504
Granular Backfill for Structures			Cu. Yd.	33
Geocomposite Wall Drain			Sq. Yd.	22
Pipe Underdrains for Structures, 4"			Foot	63
Bar Splicers			Each	11

* Length is height of spiral.

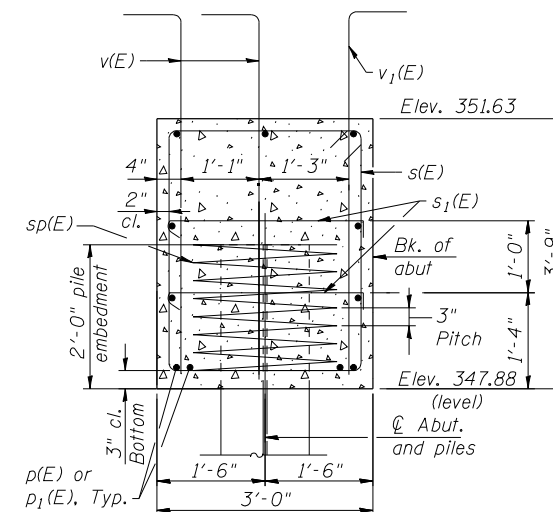
For details of piles, see sheet 18 of 21.
For details of Bar Splicers, see sheet 19 of 21.

PILE DATA

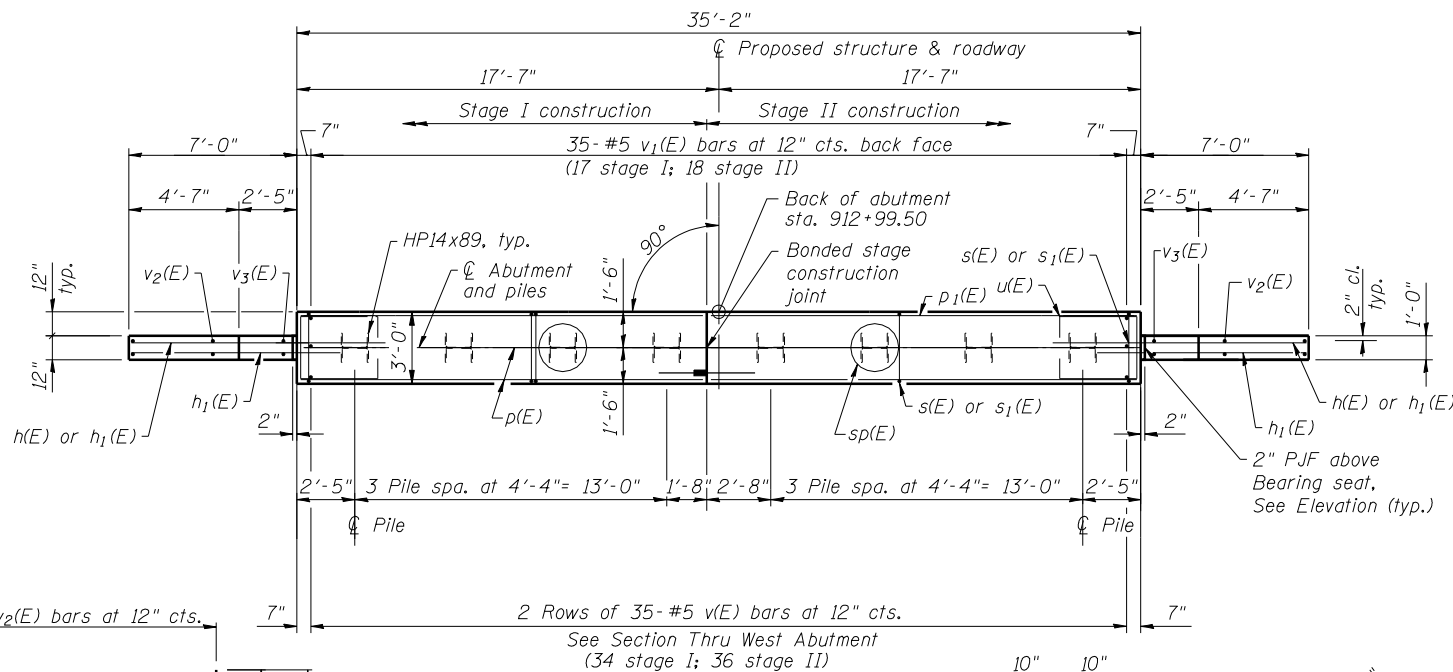
Type: Steel HP14x89
Nominal Required Bearing: 705 kips
Factored Resistance Available: 388 kips
Estimated Length: 63'
No. of Production Piles: 8
No. of Test Piles: 0



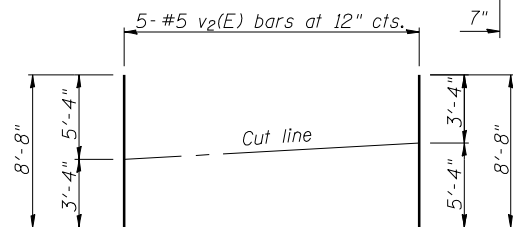
ELEVATION



SECTION THRU WEST ABUTMENT



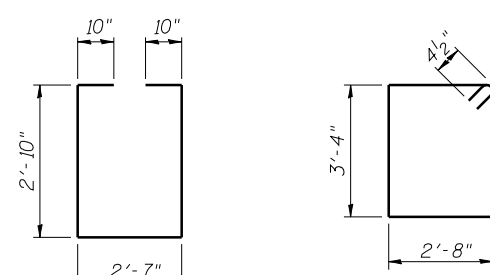
PLAN



BARS v₂(E)

FIELD CUTTING DIAGRAM

Order v₂(E) full length.
Cut as shown and use remainder of bars in opposite face.



BAR u(E)

BAR s(E)

BAR s₁(E)

BAR v(E)

BAR v₁(E)



USER NAME = has	DESIGNED - SHL 12/12	REVISED -
ESCA PROJECT NO. 988.12	CHECKED - RDP 03/13	REVISED -
PLOT SCALE = 1/8" = 1' / IN.	DRAWN - HAS 12/12	REVISED -
PLOT DATE = 8/2/2013 11:39:35 AM	CHECKED - RDP 07/13	REVISED -

**STATE OF ILLINOIS
DEPARTMENT OF TRANSPORTATION**

**WEST ABUTMENT
STRUCTURE NO. 076-0032**

SHEET NO. 14 OF 21 SHEETS

F.A.P. RTE.	SECTION	COUNTY	TOTAL SHEETS	SHEET NO.
885	112B-1	POPE	56	36
CONTRACT NO. 78230				

ILLINOIS FED. AID PROJECT AID