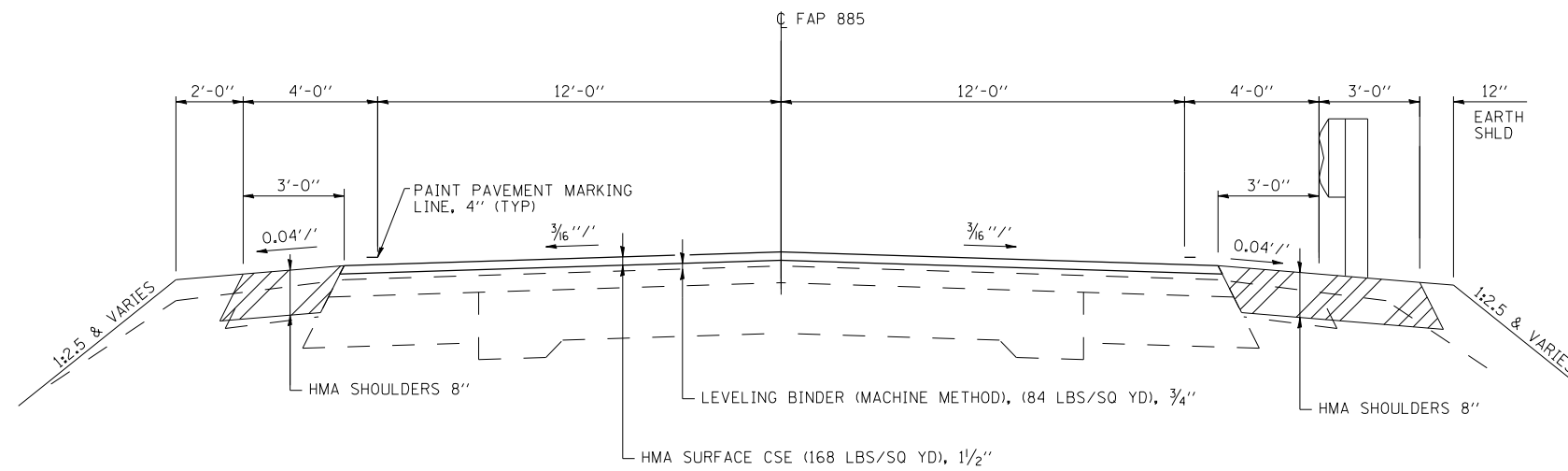
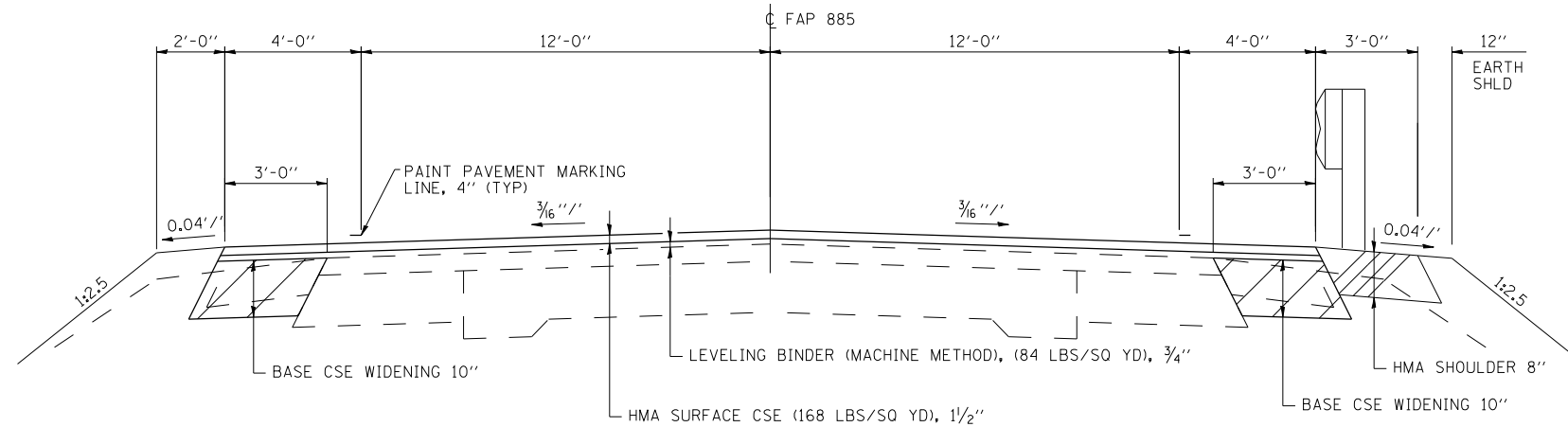


PROPOSED TYPICAL SECTION
STA 910+74 TO 911+19
STA 915+81 TO 916+26



PROPOSED TYPICAL SECTION
STA 911+19 TO 911+50



PROPOSED TYPICAL SECTION
STA 911+50 TO 911+81

PRINT DRIVER = L:\D-ES\B\A\112230-112230-112230.dwg
 SCALE NAME = 1:2.5
 FILE NAME = 112230-112230-112230.dwg



USER NAME = has
 ESCA PROJECT NO. 988.12
 PLOT SCALE = 0.1667' / IN.
 PLOT DATE = 8/2/2013 11:28:52 AM

DESIGNED - JMS
 DRAWN - HAS
 CHECKED - RDP
 DATE - 03/13

REVISED -
 REVISED -
 REVISED -
 REVISED -

STATE OF ILLINOIS
DEPARTMENT OF TRANSPORTATION

TYPICAL SECTIONS

SCALE: SHEET NO. 2 OF 4 SHEETS STA. TO STA.

F.A.P. RTE.	SECTION	COUNTY	TOTAL SHEETS	SHEET NO.
885	112B-1	POPE	56	10
CONTRACT NO. 78230				
FED. ROAD DIST. NO. ILLINOIS FED. AID PROJECT				