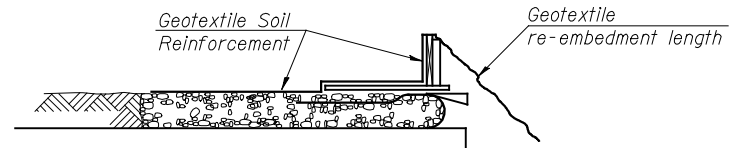
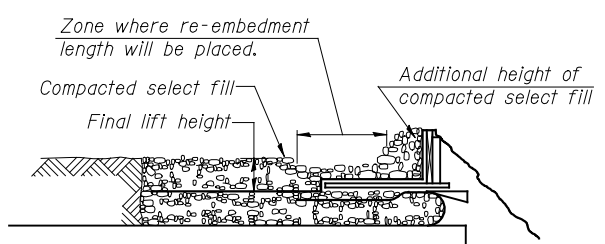


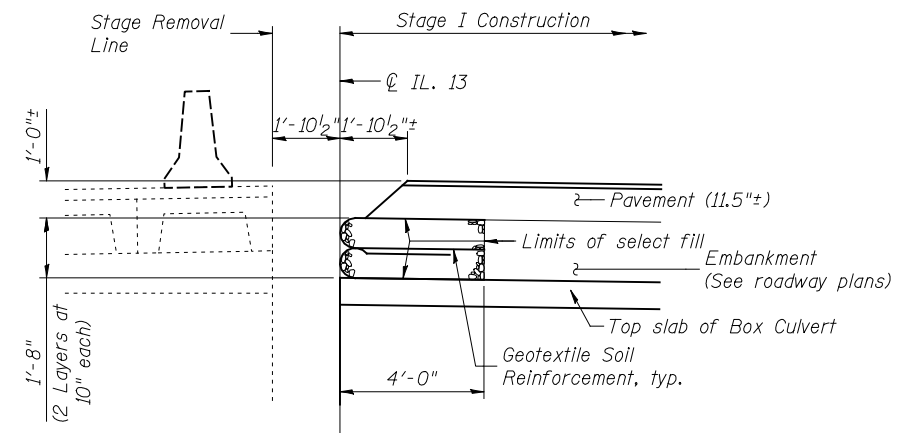
1. Place form brace system on completed reinforcement level; back from the finished fabric face a distance of $\frac{1}{3}$ to $\frac{1}{2}$ the geotextile reinforcement spacing.



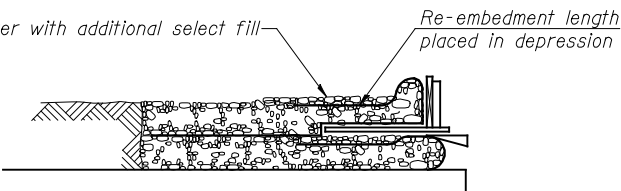
2. Position fabric so that the required geotextile re-embedment length extends over the top of the form brace and the design reinforcement width is placed with no slack against the previous level.



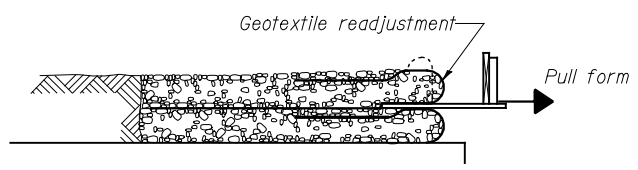
3. Compact select fill material in lifts to final lift height, create ($\pm 3''$) depression in zone where re-embedment length will be located and place additional height of compacted select fill against form brace.



GEOTEXTILE RETAINING WALL DETAIL



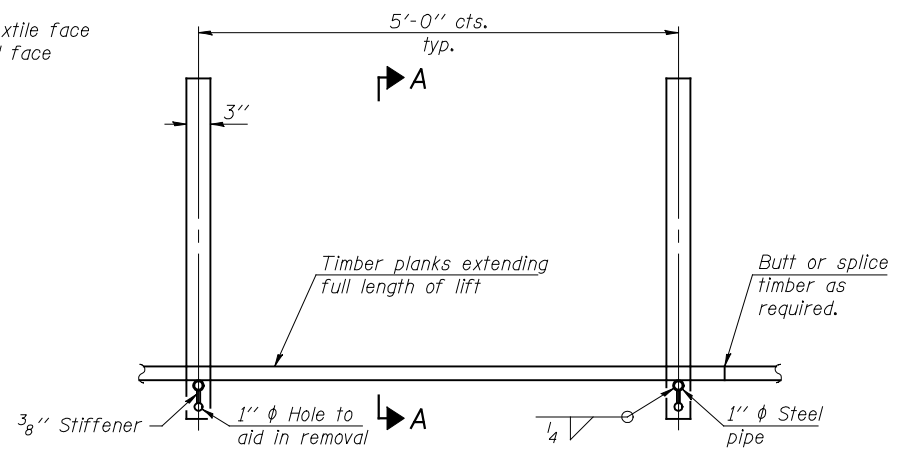
4. Fold geotextile re-embedment length back over form brace into zone where depression was made in select fill and place additional select fill ($\pm 3''$) to embed geotextile and bring to final lift height.



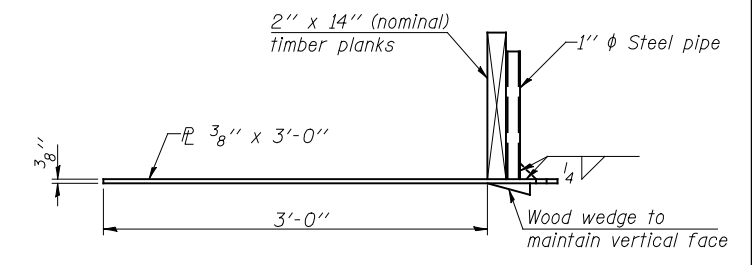
5. Pull form brace outward allowing geotextile face to slightly readjust to form tight round face level with plan reinforcement spacing.

GEOTEXTILE WALL CONSTRUCTION SEQUENCE

Note:
The geotextile soil reinforcement shall have a minimum allowable tensile strength (T min.) of 6 lb./in. as determined by the procedure described in the Special Provision. The computations supporting the determination of (T min.) shall be submitted to the engineer for approval.



PLAN



SECTION A-A

GEOTEXTILE FORM BRACE DETAIL

Note:
This is a suggested detail, the Contractor is responsible for the design of the form brace system to be used.

FILE: J:\INDO\10219 IL 13 MorrissocPh2\1-RCBC\0822046-76E21-003-retainwall.dgn SAVE DATE: 6/19/2013

FILE NAME =	USER NAME = DCD	DESIGNED - DCD	REVISED -
... \0822046-76E21-003-retainwall.dgn		CHECKED - PGM	REVISED -
	PLOT SCALE =	DRAWN - P. Ray	REVISED -
	PLOT DATE = 06/28/2013 16:47:31	CHECKED - DCD	REVISED -

**STATE OF ILLINOIS
DEPARTMENT OF TRANSPORTATION**

**GEOTEXTILE RETAINING WALL
STRUCTURE NO. 082-2046**
SHEET NO. 3 OF 8 SHEETS

F.A.P. RTE. 103	SECTION 23BR-1	COUNTY ST. CLAIR	TOTAL SHEETS 38	SHEET NO. 22
STA. 674+45		CONTRACT NO. 76E21		
ILLINOIS FED. AID PROJECT				