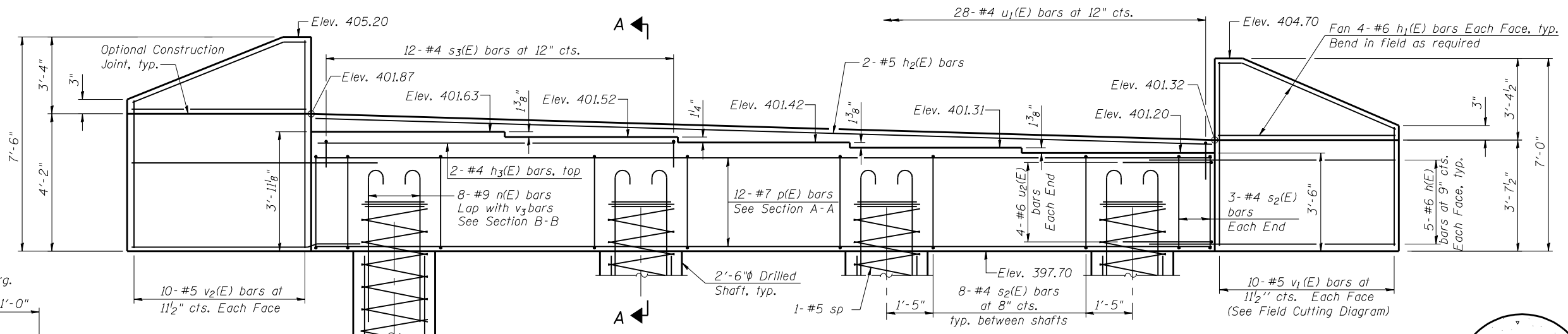


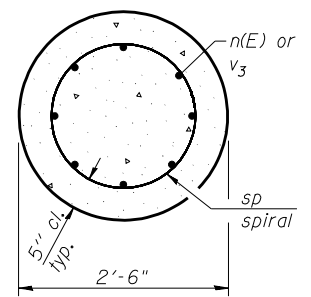
\*The quantities and detailing are based on the estimated elevations shown on the plans. The actual elevations may differ at each shaft and corresponding adjustments shall be made to the drilled shaft and reinforcement quantities and payment limits.

\*\*Provide 1/2 extra turns top and bottom of each drilled shaft. Extend spiral 1'-3" into abutment cap. Provide min. 4-#4 spacers or equivalent.

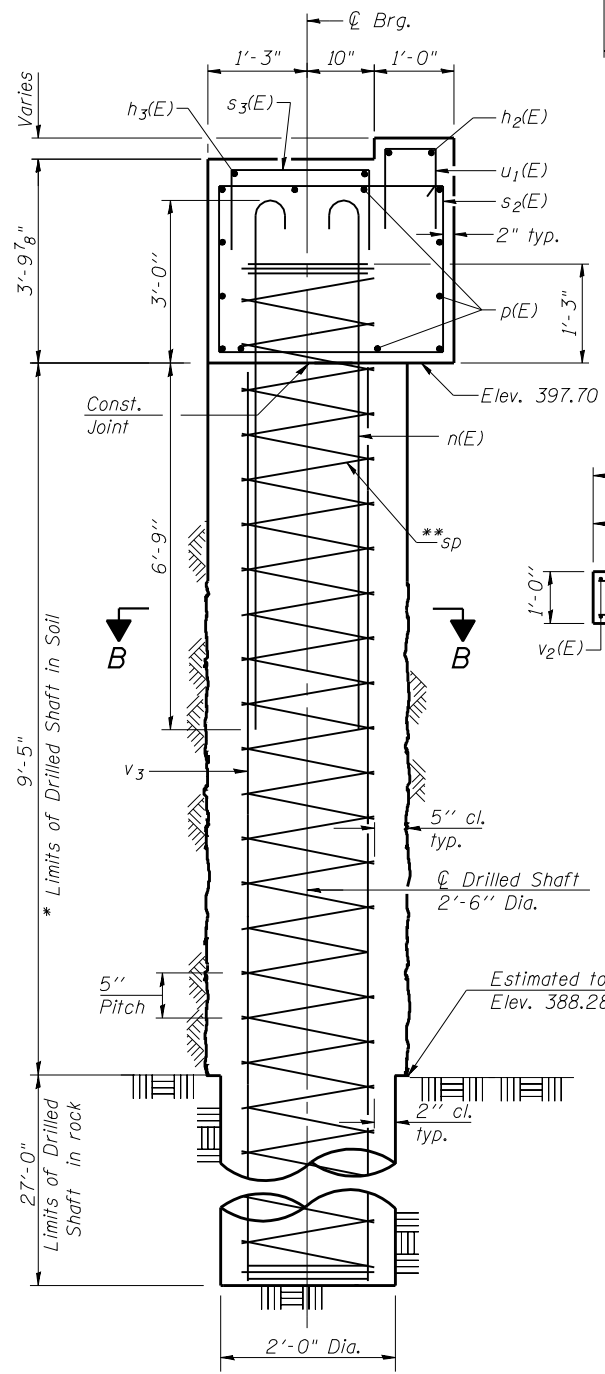


**ELEVATION**  
(Looking South)

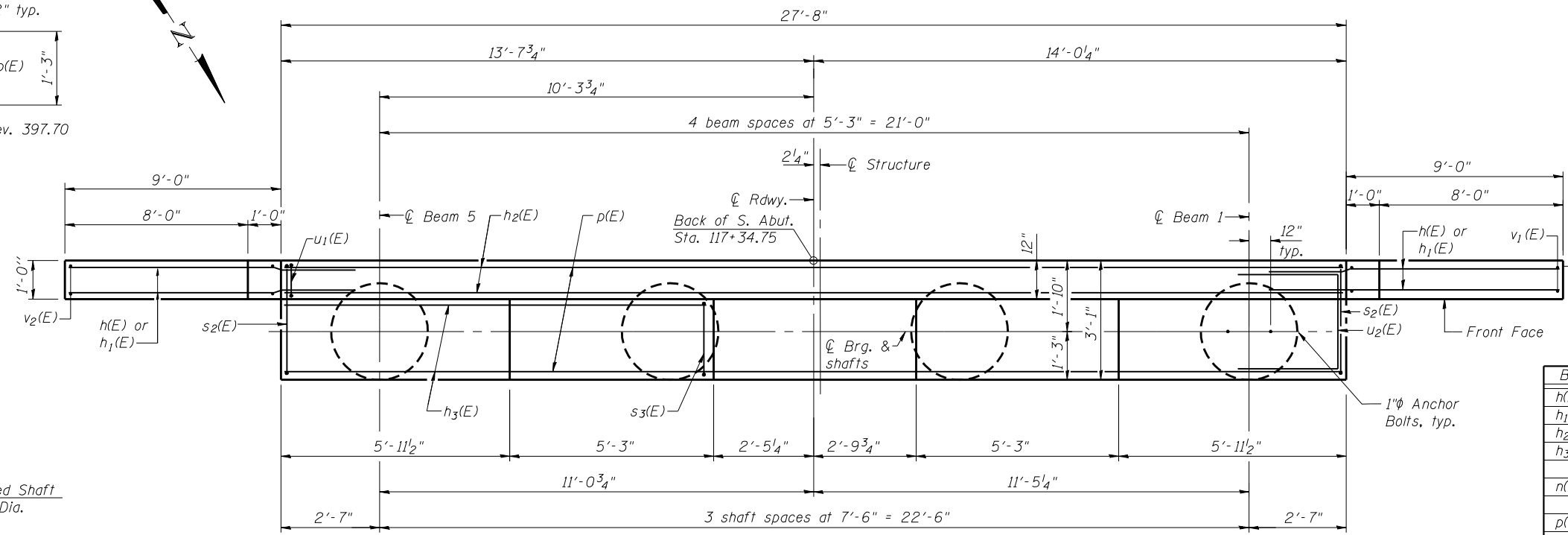
Note:  
Four steps monolithically with cap.



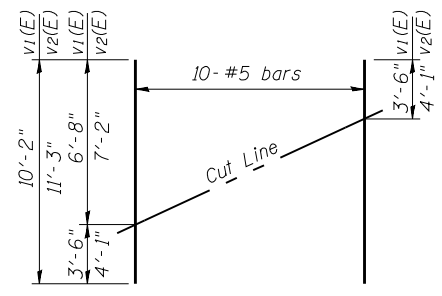
**SECTION B-B**



**SECTION A-A**

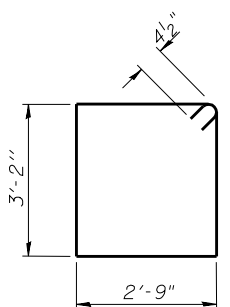


**PLAN**

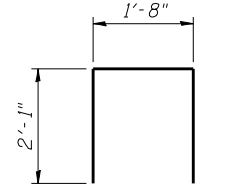


**FIELD CUTTING DIAGRAM**

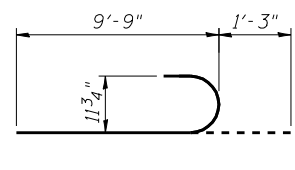
Order v1(E) & v2(E) full length. Cut as shown and use remainder of bars in opposite face.



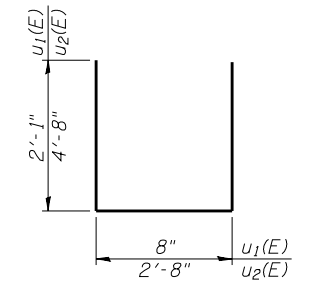
**BAR s2(E)**



**BAR s3(E)**



**BAR n(E)**



**BARS u1(E) & u2(E)**

**BILL OF MATERIAL**

Bar	No.	Size	Length	Shape
h(E)	20	#6	13'-3"	—
h1(E)	16	#6	8'-8"	—
h2(E)	2	#5	27'-4"	—
h3(E)	2	#4	10'-11"	—
n(E)	32	#9	11'-0"	U
p(E)	12	#7	27'-4"	—
s2(E)	30	#4	12'-7"	U
s3(E)	12	#4	5'-10"	U
sp	4	#5	37'-8"	W
u1(E)	28	#4	4'-10"	U
u2(E)	8	#6	12'-0"	U
v1(E)	10	#5	10'-2"	—
v2(E)	10	#5	11'-3"	—
v3	32	#9	36'-3"	—
Structure Excavation			Cu. Yd.	76
Concrete Structures			Cu. Yd.	15.8
Reinforcement Bars			Pound	5970
Reinforcement Bars, Epoxy Coated			Pound	3300
Drilled Shaft in Soil			Cu. Yd.	6.9
Drilled Shaft in Rock			Cu. Yd.	12.6

\*\*\* Length is height of spiral

FILE NAME: 74217-01E-s-abut.edgn  
CB PROJECT NO. 00853-5

**Coombe-Bloxdorf P.C.**  
CIVIL ENGINEERS-  
STRUCTURAL ENGINEERS-  
LAND SURVEYORS  
Design Firm License No. 184-002703

USER NAME = .CFC.  
DESIGNED - GB/MCB  
CHECKED - MCB  
DRAWN - TFG  
CHECKED - MCB  
PLOT SCALE = 0:2.000000 '1" / IN.  
PLOT DATE = 7/23/2013

DESIGNED - GB/MCB  
CHECKED - MCB  
DRAWN - TFG  
CHECKED - MCB  
REVISD -  
REVISD -  
REVISD -  
REVISD -

**STATE OF ILLINOIS**  
**DEPARTMENT OF TRANSPORTATION**

**SOUTH ABUTMENT**  
**STRUCTURE NO. 093-0024**

SHEET NO. 15 OF 24 SHEETS

F.A. RTE.	SECTION	COUNTY	TOTAL SHEETS	SHEET NO.
1B	(12A)B-1	WABASH	52	37
CONTRACT NO. 74217				
ILLINOIS FED. AID PROJECT				