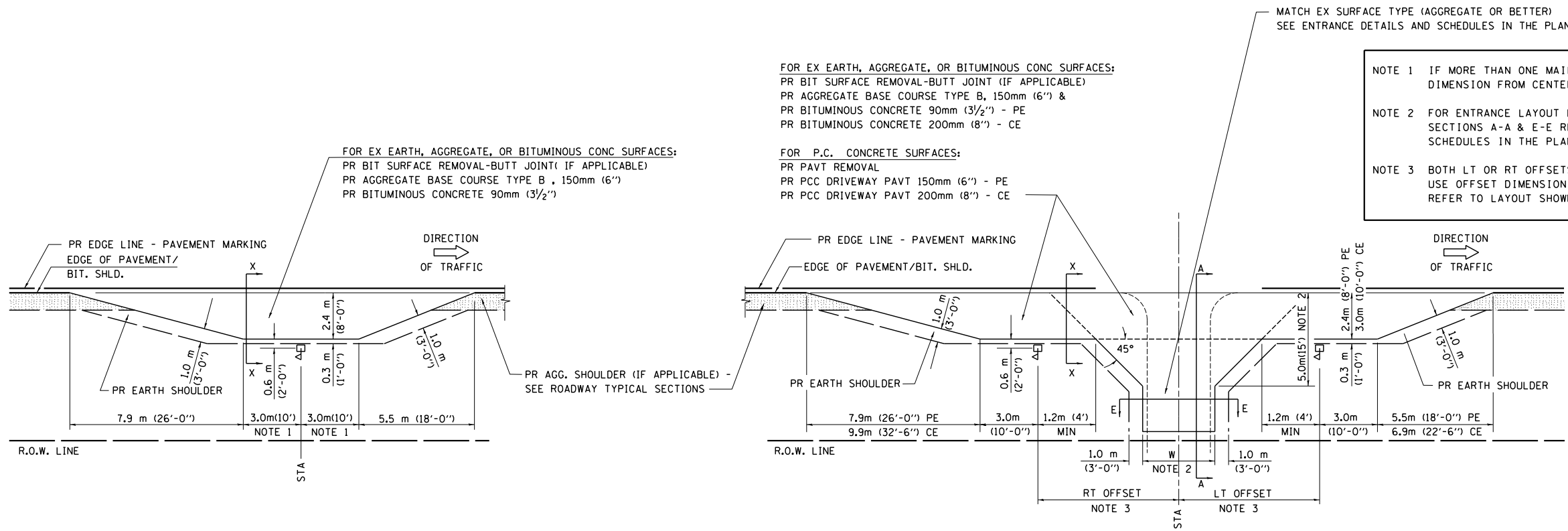


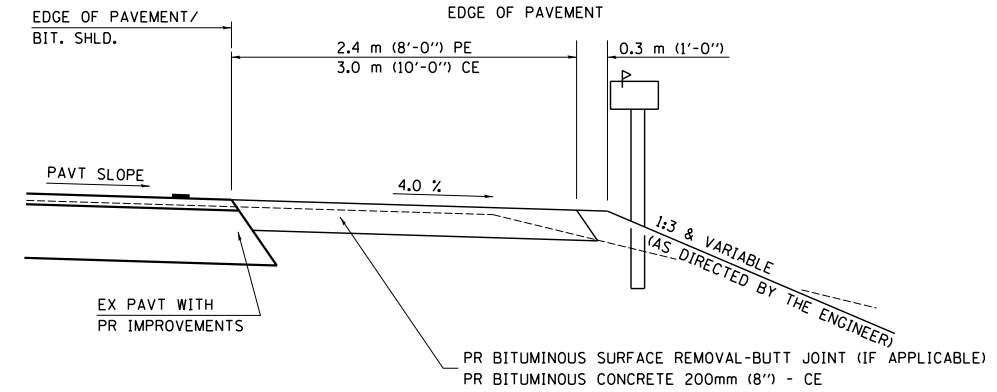
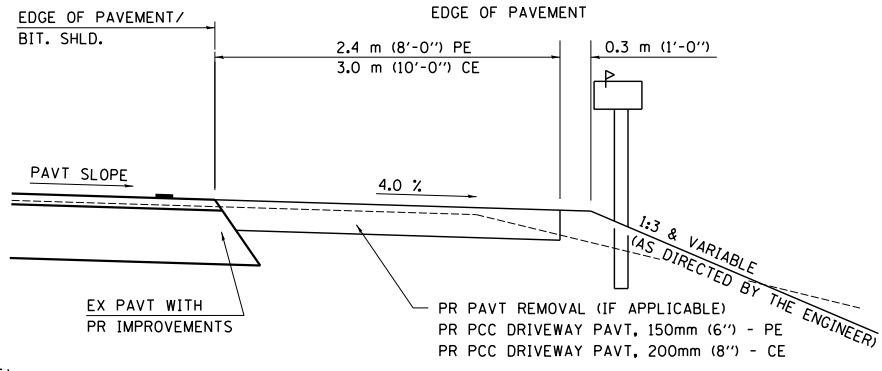
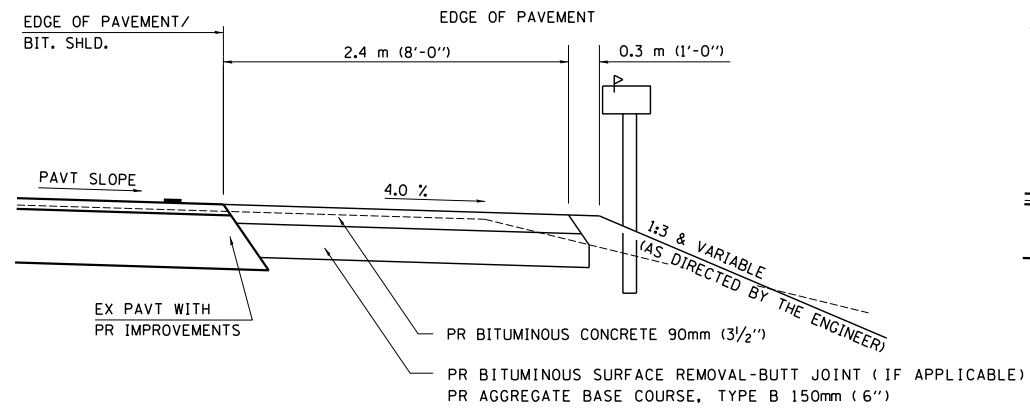
F.A.S. RTE.	SECTION	COUNTY	TOTAL SHEETS	SHEET NO.
1597	14 (W, RS-7)	ADAMS/PIKE	152	66
STA.		TO STA.		
FED. ROAD DIST. NO. 6		ILLINOIS FED. AID PROJECT		

DETAILS OF MAILBOX TURNOUTS



PLAN - MAILBOX TURNOUTS

PLAN - COMBINED MAILBOX TURNOUT WITH TRAILING OR LEADING ENTRANCE



Z:\R\2010\10-10-013.12.LL-96 Pike Co to IL-57\MSV8\Design\37-50-details.dgn 8/16/2013 4:01PM

REVISIONS	
NAME	DATE
JCN	2/19/03

SHEET 2 OF 2

ILLINOIS DEPARTMENT OF TRANSPORTATION
DISTRICT SIX
DETAILS FOR RURAL / URBAN
ENTRANCE & MAILBOX TURNOUT
W / O CONCRETE GUTTER
(3R - PROJECTS)

SCALE: VERT. DRAWN BY CADD
 HORIZ. CHECKED BY JCN
 DATE: FEBRUARY 23, 1999