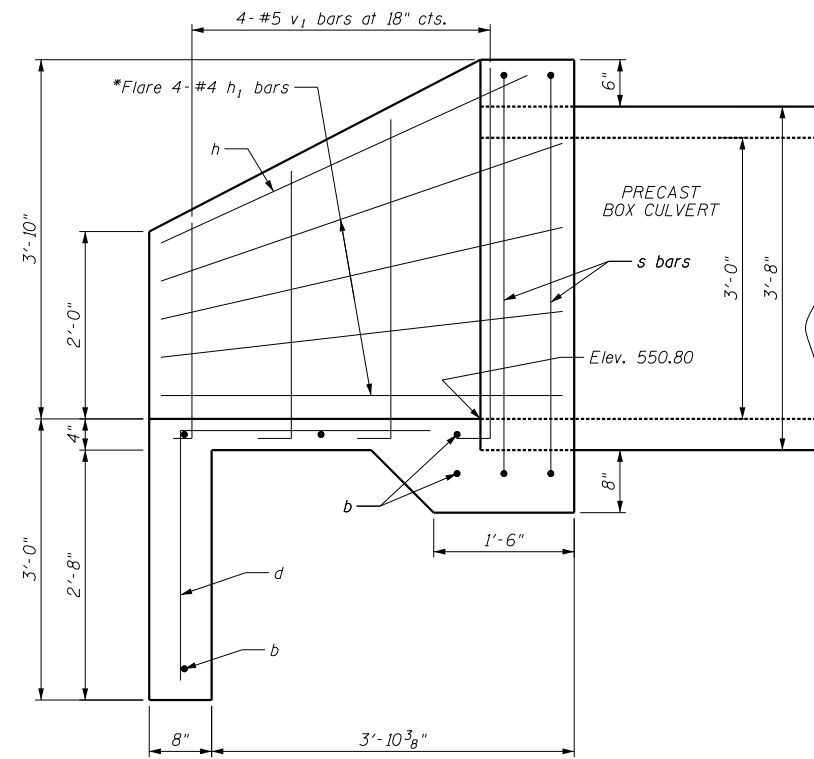


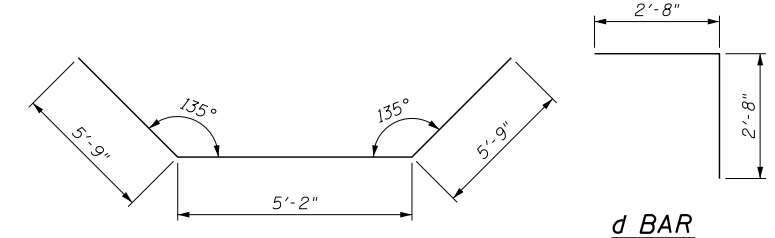
END ELEVATION



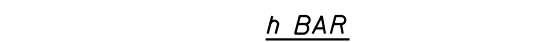
HALF LONG. SECTION

BILL OF MATERIAL

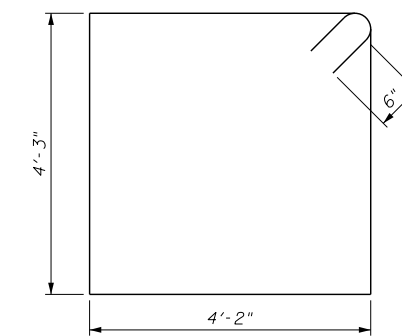
Bar	No.	Size	Length	Shape
b	5	4	12'-6"	—
d	8	4	5'-4"	—
h	1	4	16'-8"	—
h ₁	8	4	5'-0"	—
s	2	4	17'-10"	—
v ₁	8	5	5'-1"	—
Concrete Box Culverts			Cu. Yd.	2.6
Reinforcement Bars			Pound	180



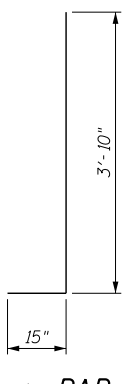
d BAR



h BAR

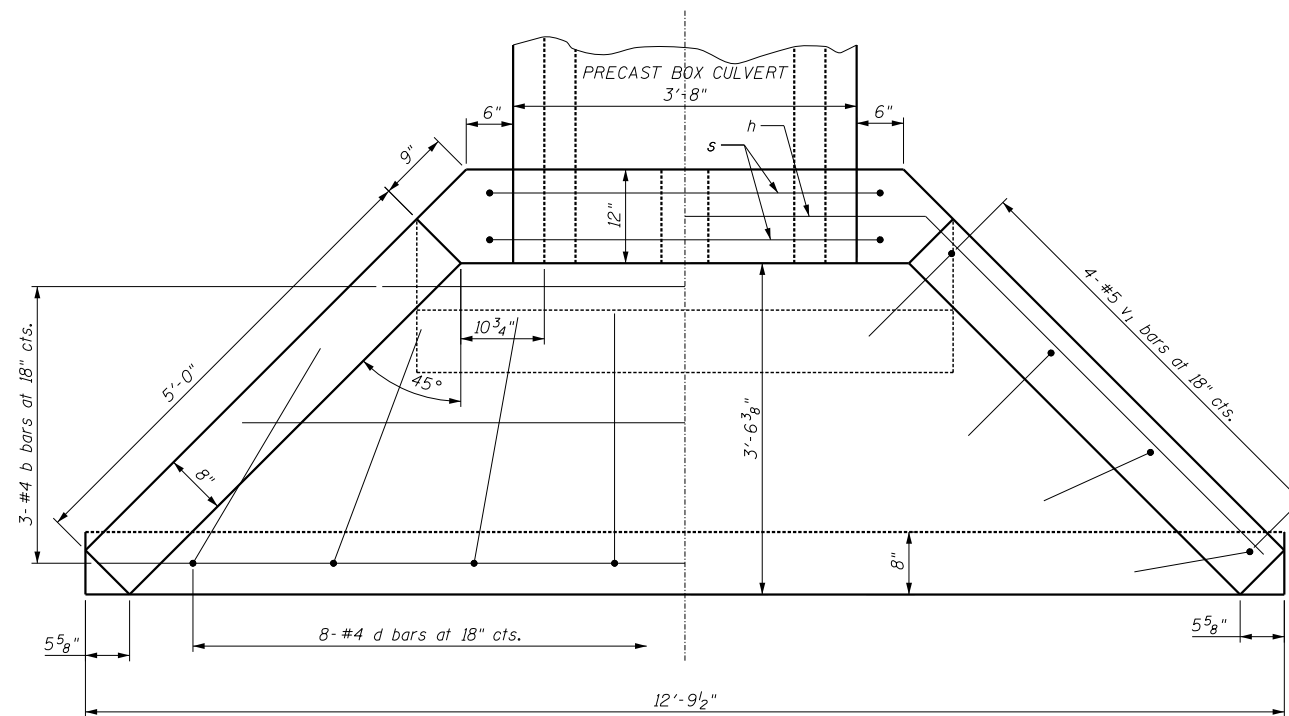


s BAR



v₁ BAR

BAR BEND DETAILS



END PLAN

DESIGN STRESSES

F_y = 60,000 psi
F'_c = 3,500 psi

LOADING HL-93

FILE NAME = culvert1362+1037-CIP_END5.dgn	USER NAME = notel	DESIGNED - TCD	REVISED -
		DRAWN - PSBA	REVISED -
	PLOT SCALE = 2:0.5846 '1' / in.	CHECKED - CSB	REVISED -
	PLOT DATE = 8/16/2013	DATE - 07/2013	REVISED -

**STATE OF ILLINOIS
DEPARTMENT OF TRANSPORTATION**

CULVERT DETAILS			
CAST-IN-PLACE END SECTION: STA 1362 + 10.37, LT			
SCALE: NTS	SHEET 1 OF 1 SHEETS	STA.	TO STA.

F.A.S. RTE. 1597	SECTION 14 (W, RS-7)	COUNTY ADAMS/PIKE	TOTAL SHEETS 152	SHEET NO. 57
				72781
ILLINOIS FED. AID PROJECT				