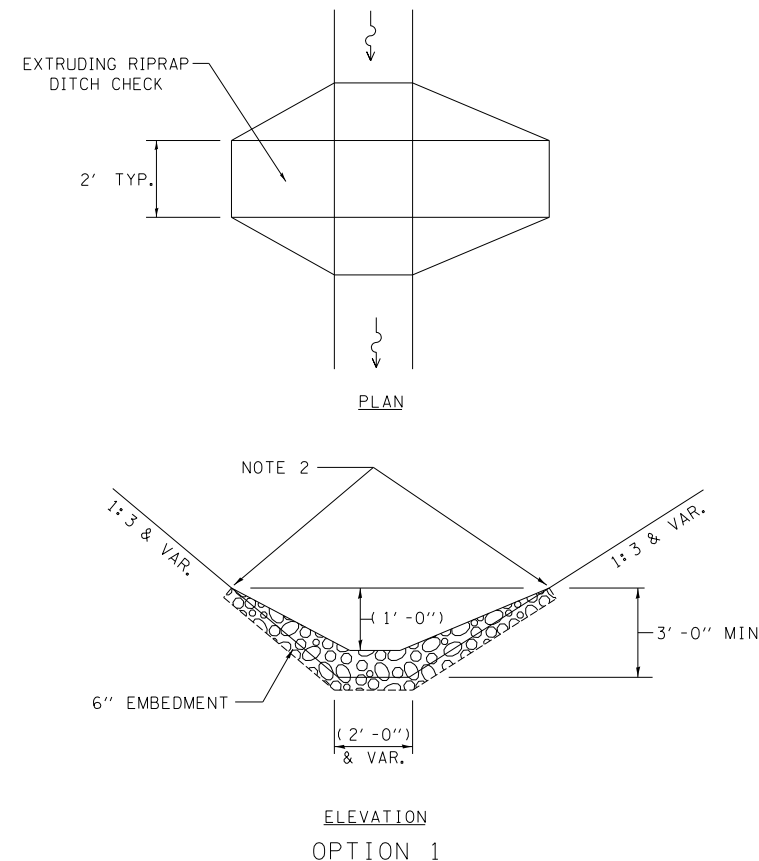
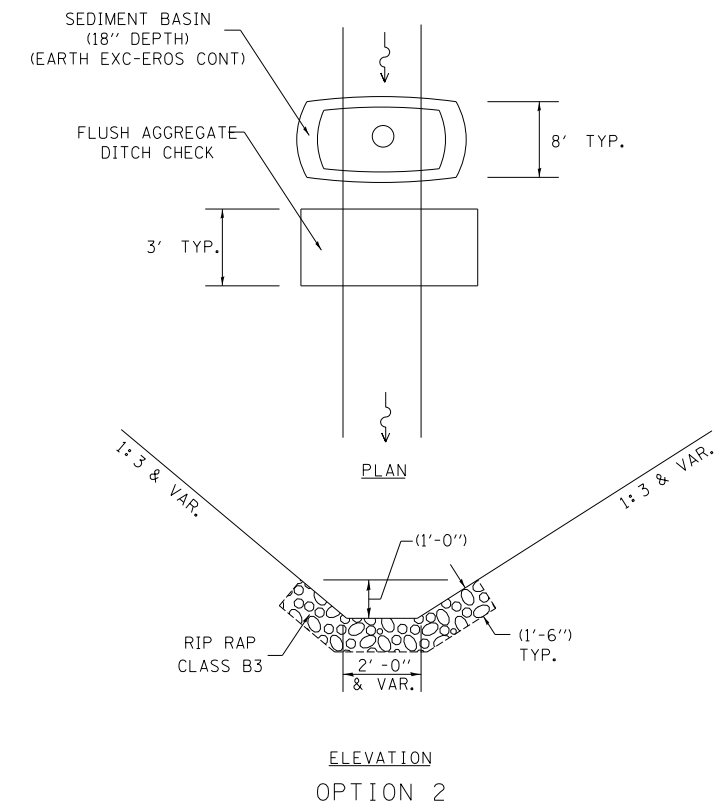


GENERAL NOTES - EROSION AND SEDIMENT CONTROL

- TEMPORARY EROSION AND SEDIMENT CONTROL SYSTEMS SHALL BE CONSTRUCTED, MAINTAINED, REMOVED, AND DISPOSED OF IN ACCORDANCE WITH SECTION 280 OF THE STANDARD SPECIFICATIONS. NO STRAW OR HAY BALES SHALL BE USED IN TEMPORARY EROSION AND SEDIMENT CONTROL SYSTEMS.
- IT IS THE RESPONSIBILITY OF THE CONTRACTOR TO ENSURE THAT SEDIMENT TRANSPORT OFF THE SITE IS REDUCED BY A COMBINATION OF MINIMIZATION OF EROSION AT THE SOURCE AND INSTALLATION OF SPECIFIC MEASURES TO CONTROL OR REDUCE THE TRANSPORT OF SEDIMENT.
- DISTURBED AREAS ARE TO BE PROTECTED FOR EROSION IN A TIMELY MANNER. UPON COMPLETION OF GRADING OR CONSTRUCTION, THE AREA SHALL BE STABILIZED (USING PERMANENT MEASURES WHEN POSSIBLE).
- ALL RUNOFF, EROSION AND SEDIMENT CONTROL MEASURES MUST BE REVIEWED TO ENSURE ROADSIDE HAZARDS ARE NOT CREATED.
- SEDIMENT TRAPS, SEDIMENT BASINS, DITCHES, SILT FENCES, STONE OUTLET STRUCTURES, EARTH BERMS, ETC. SHALL BE MAINTAINED DURING THE CONSTRUCTION SEASON AS WELL AS THE WINTER MONTHS AND OTHER TIMES WHEN THE PROJECT IS CLOSED DOWN.
- DITCH CHECK SPACING IS BASED ON 2' HIGH DITCH CHECKS. IF AN ALTERNATE SIZE DITCH CHECK IS PROPOSED BY THE CONTRACTOR FOR USE ON THE PROJECT, A CONTRACT DITCH CHECK SPACING WILL NEED TO BE RECALCULATED BY THE CONTRACTOR IN ACCORDANCE WITH THE BUREAU OF DESIGN AND ENVIRONMENT MANUAL. ANY RESULTING QUANTITY CHANGES SHALL BE APPROVED BY THE ENGINEER.
- THE CONTRACTOR SHALL UTILIZE DITCH CHECKS AS DIRECTED BY ENGINEER. IF THE ENGINEER ELECTS TO UTILIZE FLUSH AGGREGATE DITCH CHECKS (OPTION 2) IN LIEU OF TEMPORARY DITCH CHECKS OR EXTRUDING AGGREGATE DITCH CHECKS (OPTION 1), THE SPACING SHALL BE DOUBLED AND RESULTING QUANTITIES CHARGES SHALL BE APPROVED BY THE ENGINEER.
- EXTRUDING AGGREGATE DITCH CHECKS (OPTION 1) SHALL BE PAID FOR AS 28001000 AGGREGATE (EROSION CONTROL) PER TON. FLUSH AGGREGATE DITCH CHECKS (OPTION 2) SHALL BE PAID FOR AS 28000200 EARTH EXCAVATION FOR EROSION CONTROL PER CU YD AND 28001000 AGGREGATE (EROSION CONTROL) PER TON. STONE RIP RAP SHALL BE USED IN ACCORDANCE WITH ARTICLE 1081.15(e) OF STANDARD SPECIFICATIONS. (NO BROKEN BRICK OR BROKEN CONCRETE SHALL BE ALLOWED)
- PERIMETER EROSION BARRIER IS SHOWN ON THE PLANS FOR SCHEDULE QUANTITY. ACTUAL LOCATIONS OF PERIMETER EROSION BARRIER WILL BE DETERMINED DURING THE JOBSITE INSPECTION CONDUCTED BY THE CONTRACTOR AND DEPARTMENT PRIOR TO BEGINNING ANY WORK REQUIRING EROSION CONTROL.
- PLACE TEMPORARY EROSION CONTROL SEEDING ON ALL ERODIBLE/EARTH AREAS EVERY 7 DAYS, REGARDLESS OF WEATHER OR WORK CONDITIONS. THE ENGINEER MAY REQUIRE THAT CRITICAL LOCATIONS BE SEEDED IMMEDIATELY AND THE CONTRACTOR SHALL SEED THESE AREAS WITHIN 48 HOURS OF SUCH A DIRECTIVE. SCHEDULE QUANTITY ASSUMES ENTIRE JOB IS SEEDED THREE (3) TIMES DURING THE GROWING SEASON (MARCH 1 - NOVEMBER 30).
- HEAVY DUTY EROSION CONTROL BLANKETS SHALL BE USED ON SLOPES STEEPER THAN 1:3. MAXIMUM SLOPE GRADIENT FOR HEAVY DUTY EROSION CONTROL BLANKET IS 1:2.
- SEE PLANS FOR RIPRAP INFORMATION.
- RIPRAP DITCH LINING AS SHOWN ON THE PLANS SHALL BE INSTALLED UPON ESTABLISHMENT OF PROPOSED DITCH.
- ALL SLOPES ARE EXPRESSED AS UNITS OF VERTICAL DISPLACEMENT TO UNITS OF HORIZONTAL DISPLACEMENT (V:H)



(EXTRUDING DITCH CHECK)
RECOMMENDED FOR AREAS
W/ RIPRAP DITCH LINING



AGGREGATE DITCH CHECK
(OPTIONS 1 & 2)
AS DIRECTED BY THE ENGINEER

NOTES:

- NOTE 1: RIPRAP SHALL EXTEND FAR ENOUGH UP THE SLOPES TO ALLOW 1' OVERTOPPING TO AVOID ERODING AROUND THE EDGES OF THE RIPRAP.
- NOTE 2: ENDS SHALL BE TIED INTO SLOPES.

EROSION CONTROL LEGEND

- INLET AND PIPE PROTECTION
- AGGREGATE DITCH CHECK
- EROSION CONTROL BLANKET
- HEAVY DUTY EROSION CONTROL BLANKET
- PERIMETER EROSION BARRIER
- EARTH EXCAVATION FOR EROSION CONTROL (SEDIMENT BASIN)
- DIRECTION OF OVERLAND FLOW

FILE NAME = 51-PPP.dgn	USER NAME = nate1	DESIGNED -	REVISED - AUG 2007 (JCN)
		DRAWN - CADD	REVISED - OCT 2010 (JCN)
		CHECKED - JCN	REVISED - MAY 2012 (JPM)
		DATE - APRIL 5, 1999	REVISED -

STATE OF ILLINOIS
DEPARTMENT OF TRANSPORTATION

STORM WATER POLLUTION
PREVENTION PLAN

SCALE: NONE SHEET 4 OF 9 SHEETS STA. TO STA.

F.A.S. RTE.	SECTION	COUNTY	TOTAL SHEETS	SHEET NO.
1597	14 (W, RS-7)	ADAMS/PIKE	152	47
CONTRACT NO. 72781				
ILLINOIS FED. AID PROJECT				