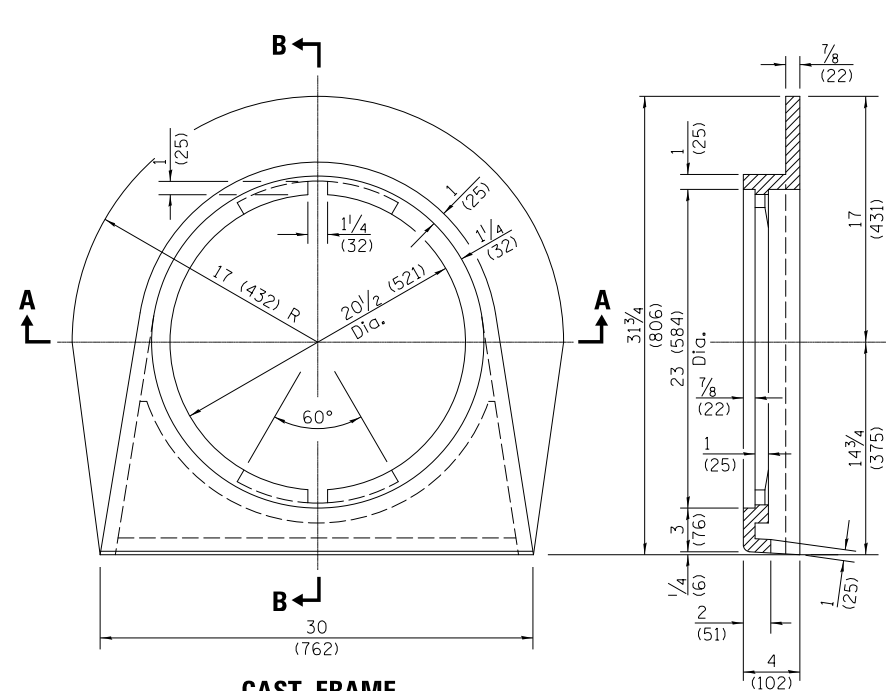


F.A.P. RTE.	SECTION	COUNTY	TOTAL SHEETS	SHEET NO.
668	28R-1	SANGAMON	354	164
STA.		TO STA.		
FED. ROAD DIST. NO.	ILLINOIS	FED. AID PROJECT		
CONTRACT NO. 72501				

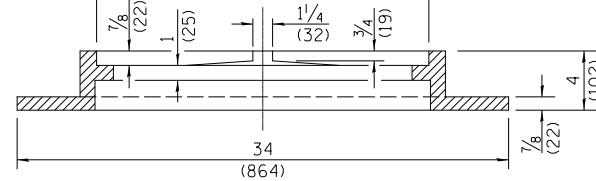


CAST FRAME

(GRAY IRON)

23 (584)

Dia.

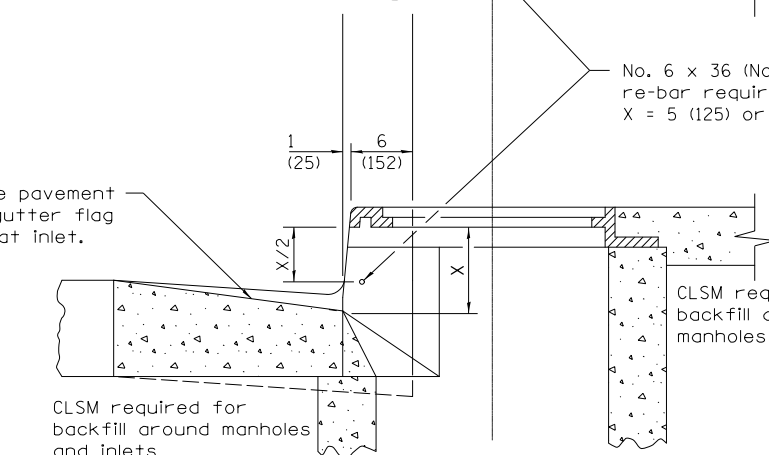
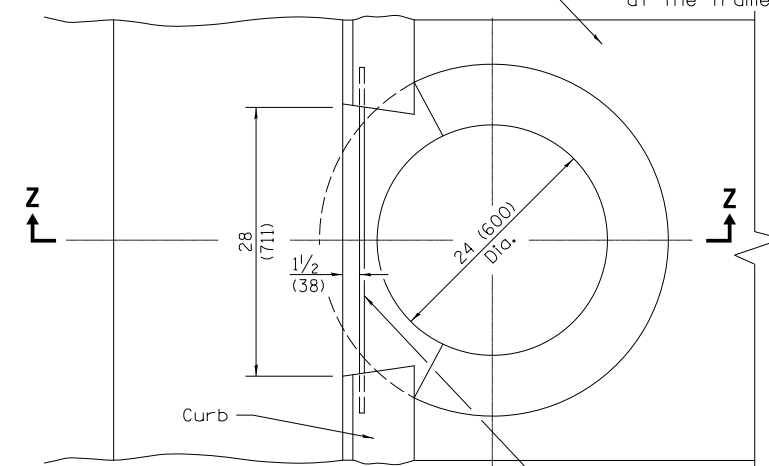


SECTION A-A

SECTION B-B

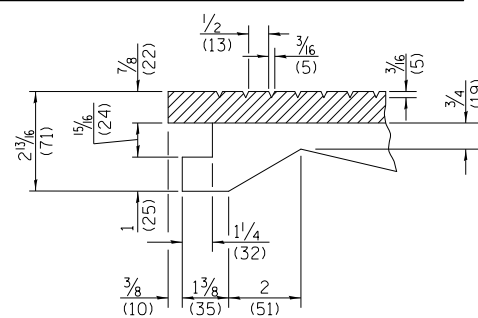
6" PCC Slab to be extended 1.2 m behind back of curb or to proposed sidewalk per plan (PCC slab included in cost of inlet or manhole w/ Type 15 Frame and Lid)

NOTE:
Warp sloping face of curbs in a distance of 5' (1.5 m) to the cross section shown at the frame.

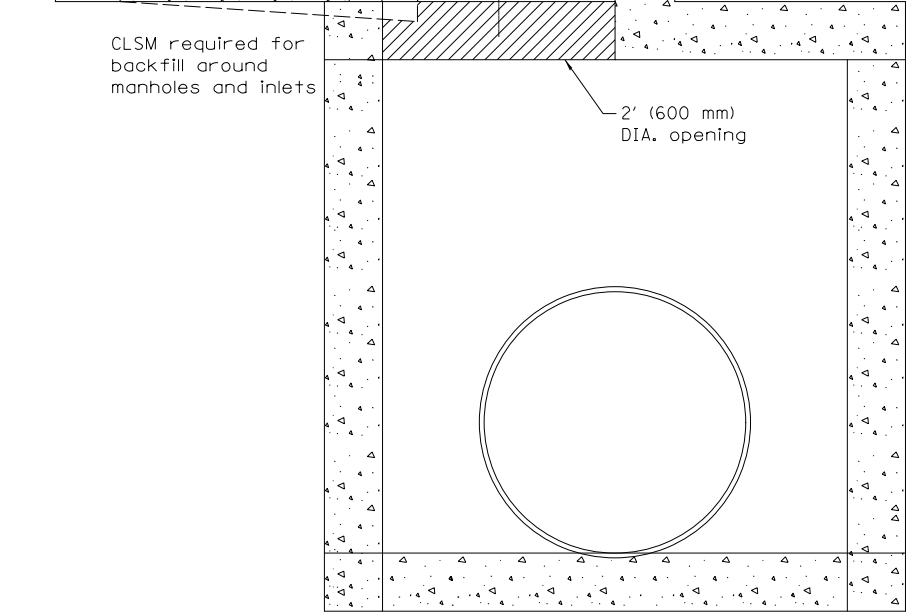
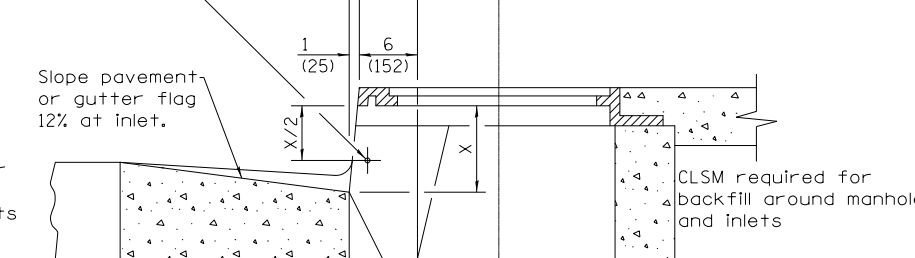
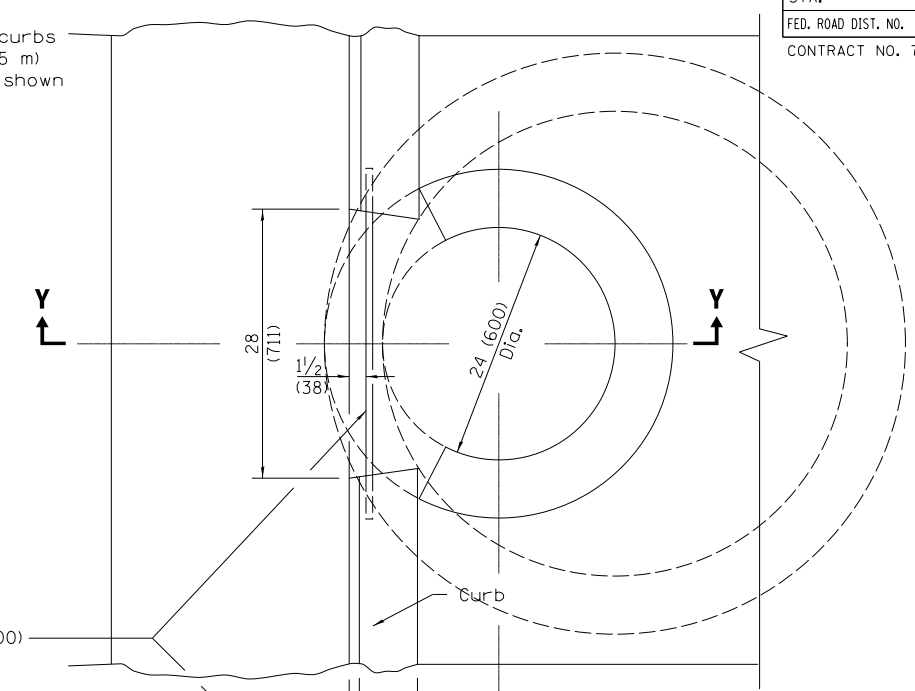


SECTION Z-Z
(WITH FRAME)

CASE II (TYPE 15 FRAME AND LID W/TY A INLET)

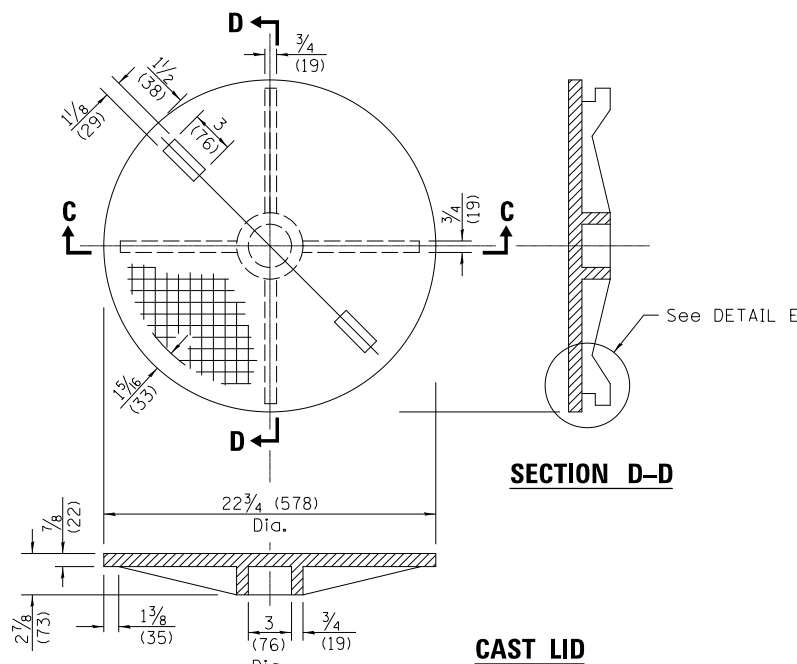


DETAIL E



SECTION Y-Y
(WITH FRAME)

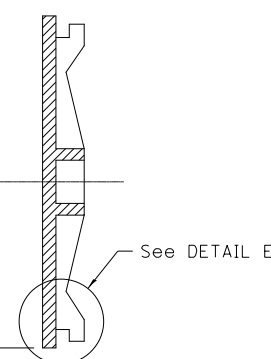
CASE I (TYPE 15 FRAME AND LID W/ MANHOLE OR TY B INLET)



SECTION C-C

CAST LID

SECTION D-D



REVISIONS	
NAME	DATE

ILLINOIS DEPARTMENT OF TRANSPORTATION
DRAINAGE DETAILS
FRAME AND LID TYPE 15
F.A.P. ROUTE 668 (DIRKSEN PARKWAY)
SECTION 28R-1
SANGAMON COUNTY
SCALE NTS
DATE 06/2013
DRAWN BY CAD
CHECKED BY JCN