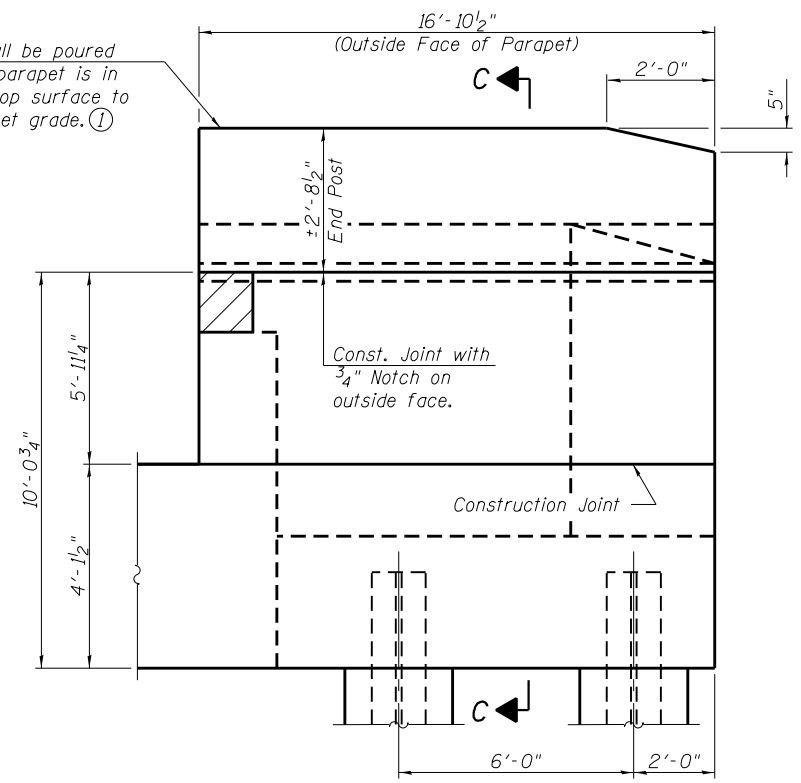
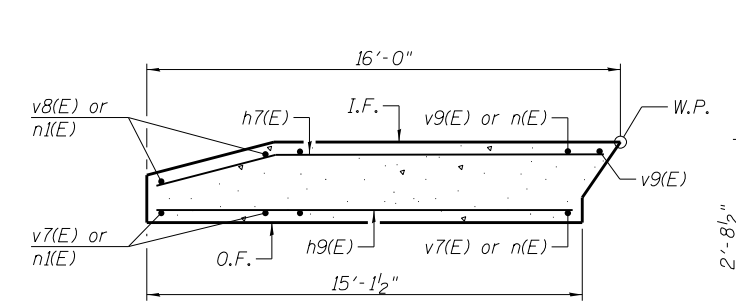


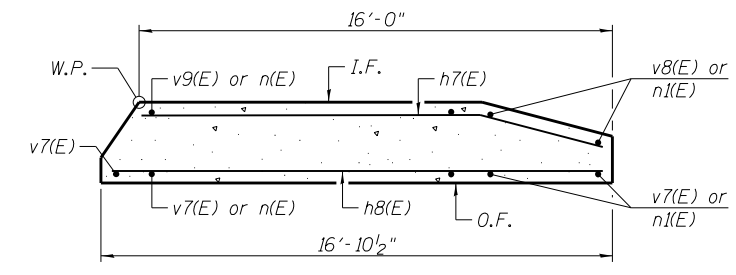
WEST WINGWALL ELEVATION
Showing Dimensions (Looking East)



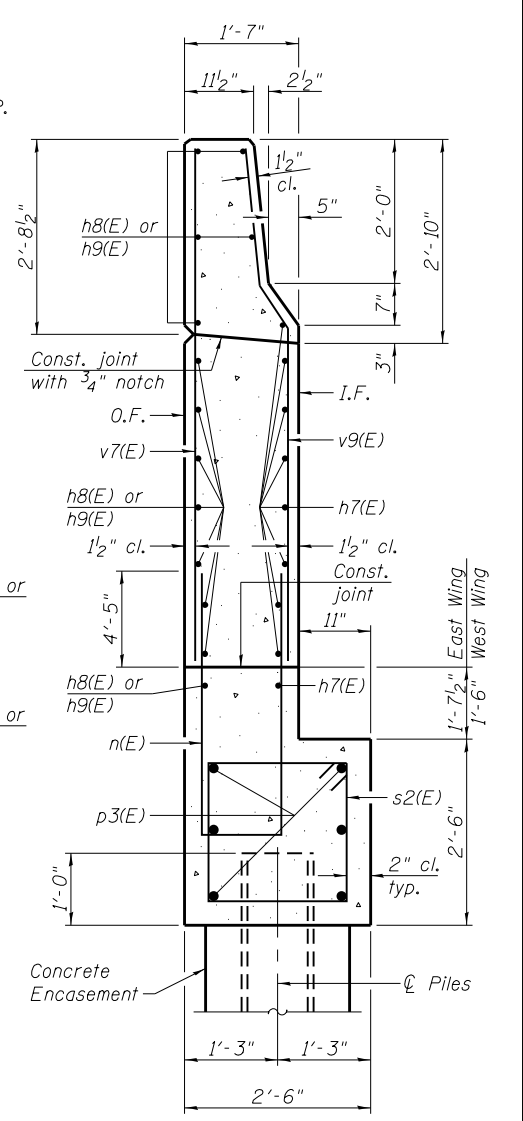
EAST WINGWALL ELEVATION
Showing Dimensions (Looking West)



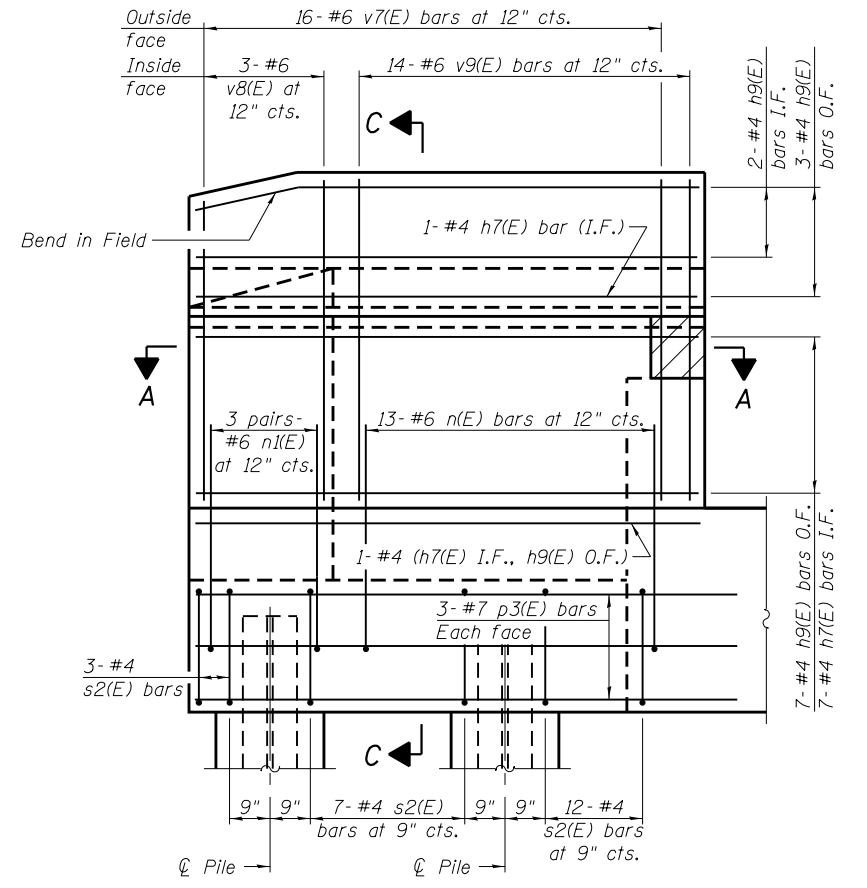
SECTION A-A



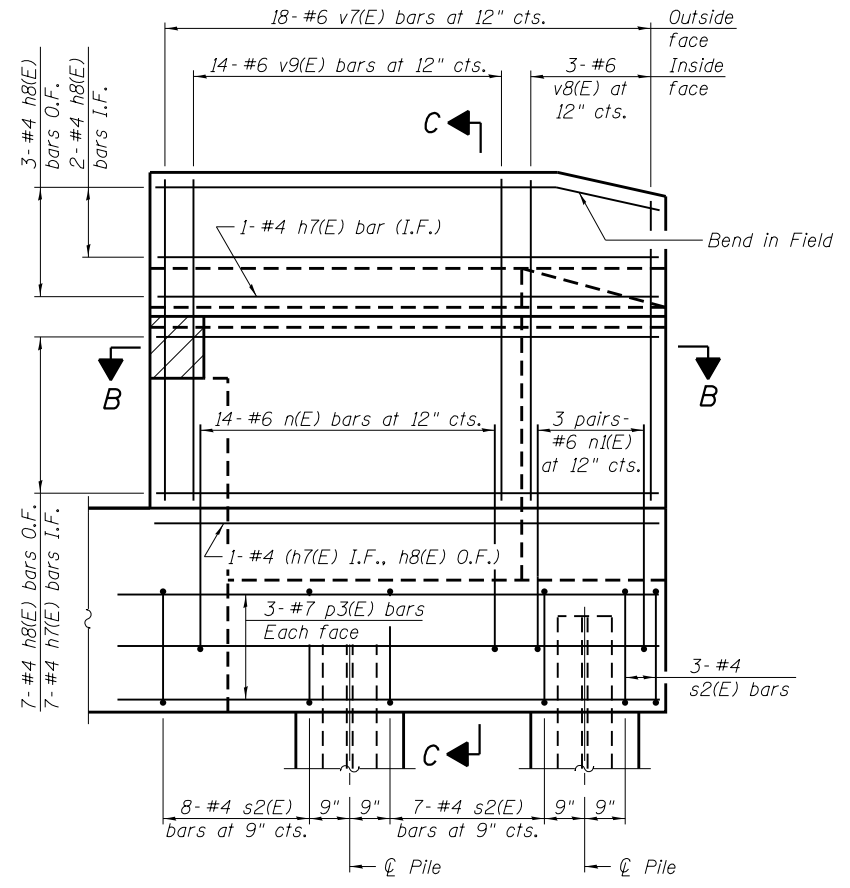
SECTION B-B



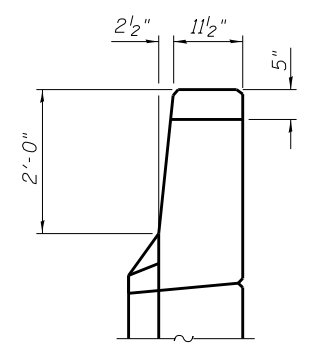
SECTION C-C



WEST WINGWALL ELEVATION
Showing Reinforcement (Looking East)



EAST WINGWALL ELEVATION
Showing Reinforcement (Looking West)



VIEW D-D
(Showing West Wingwall, East Wingwall similar)

- Notes:
- Quantity of concrete in end post included with Concrete Superstructure on sheet 20 of 62.
 - For Concrete Encasement details, see sheet 50 of 62.
 - I.F. denotes inside face and O.F. denotes outside face.
 - Hatched area to be poured after superstructure falsework has been removed.



OATES ASSOCIATES
Engineering + Architecture
100 Lamar Court, Suite 100
Columbia, MO 65204
Tel: 618.345.2200
Fax: 618.345.7293
www.oatesassociates.com

USER NAME =	DESIGNED - JAD	REVISED
PLOT SCALE =	CHECKED - SUN	REVISED
PLOT DATE =	DRAWN - MAG	REVISED
	CHECKED - JAD	REVISED

STATE OF ILLINOIS
DEPARTMENT OF TRANSPORTATION

NORTH ABUTMENT DETAILS
STRUCTURE NO. 048-0100
SHEET NO. 42 OF 62 SHEETS

F.A.P. RTE.	SECTION	COUNTY	TOTAL SHEETS	SHEET NO.
626	(44-B-1)BR	KNOX	122	72
CONTRACT NO. 68759				
ILLINOIS FED. AID PROJECT				