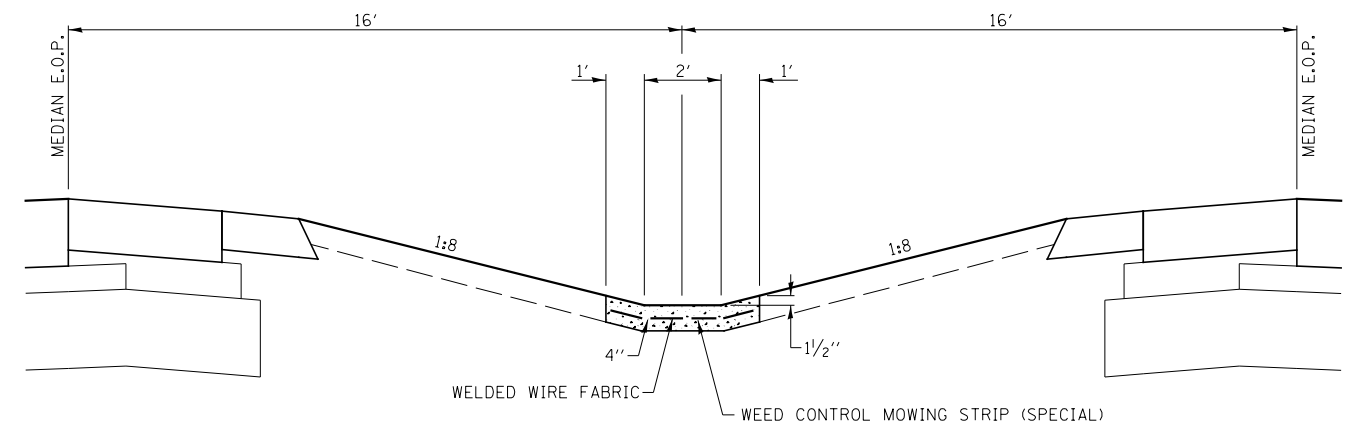
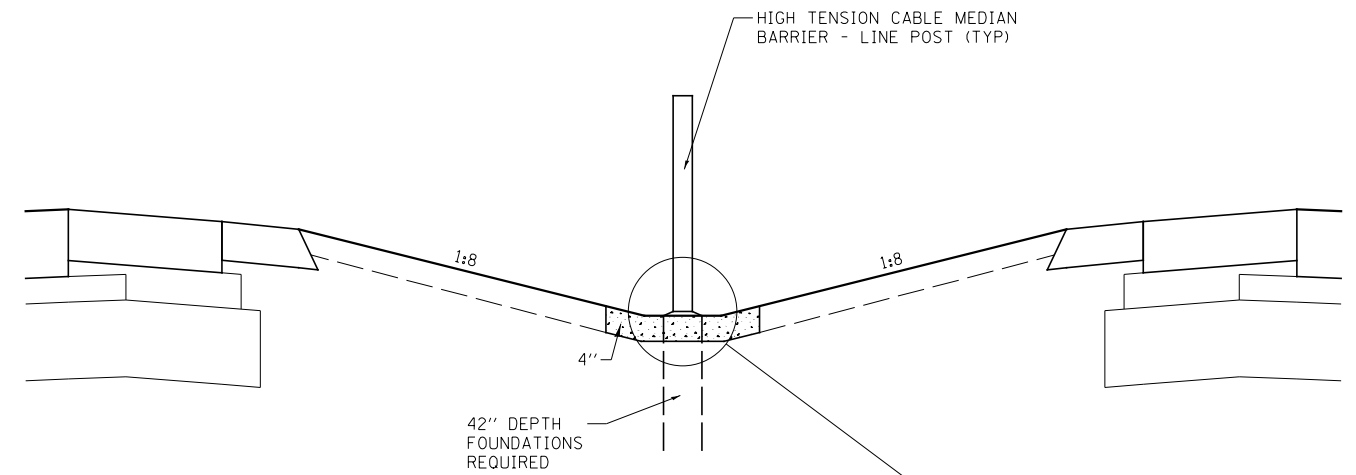


PLAN VIEW



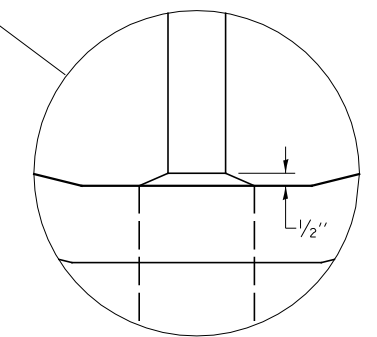
NOTE: PGL MOW STRIP PARALLELS ROADWAY PGL

TYPICAL SECTION AT MOWING STRIP



NOTE: SPACE POSTS TO MISS INLETS

TYPICAL SECTION AT POST



**HIGH TENSION CABLE MEDIAN BARRIER AND WEED CONTROL MOWING STRIP (SPECIAL) DETAIL**

FILE NAME =	USER NAME = bdecreene	DESIGNED - LDZ	REVISED -
V:\3195\66883 (South Section)\CADD Sheets\0366883-shd-details-30.dgn		DRAWN - SGM	REVISED -
	PLOT SCALE = 20.0000' / in.	CHECKED - DJD	REVISED -
*MODELNAME*	PLOT DATE = 8/6/2013	DATE - 7/15/2013	REVISED -

**STATE OF ILLINOIS  
DEPARTMENT OF TRANSPORTATION**

**IL. RTE. 47  
DETAILS**

SCALE: N/A SHEET NO. 30 OF 31 SHEETS STA. N/A TO STA. N/A

F.A. RTE.	SECTION	COUNTY	TOTAL SHEETS	SHEET NO.
326	(110)R, BR & BR-1	GRUNDY	644	480
CONTRACT NO. 66883				
ILLINOIS FED. AID PROJECT				