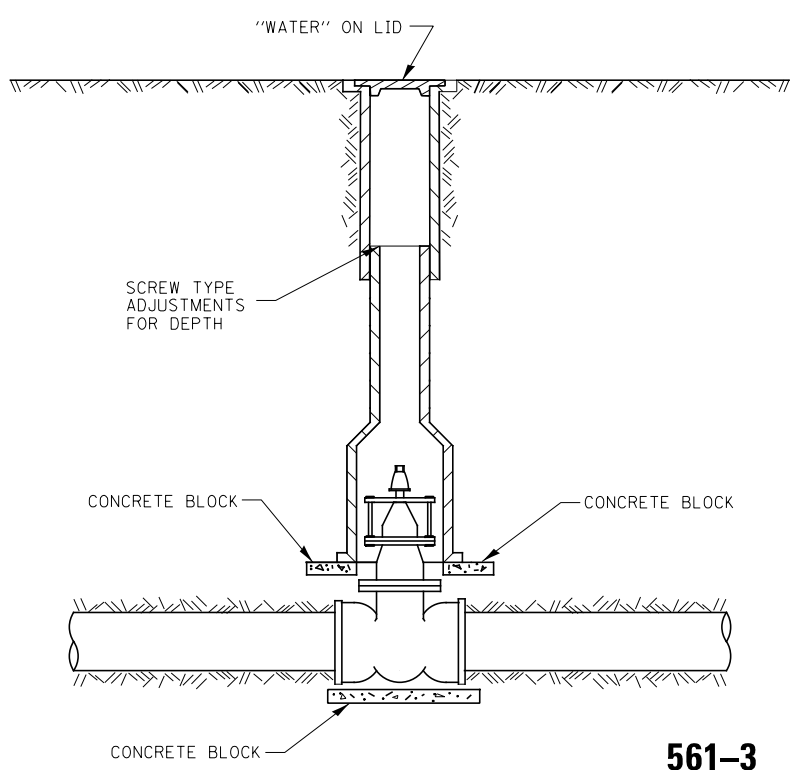
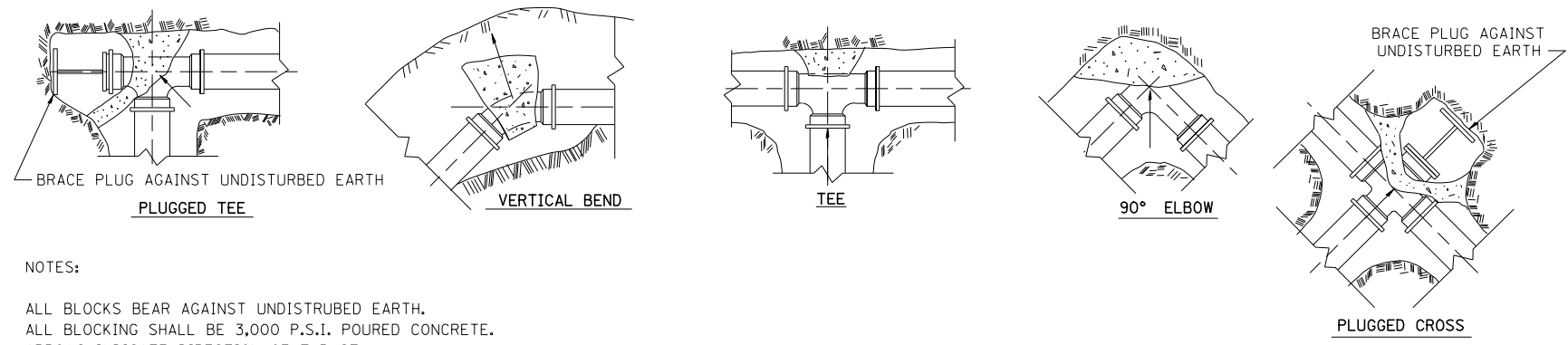
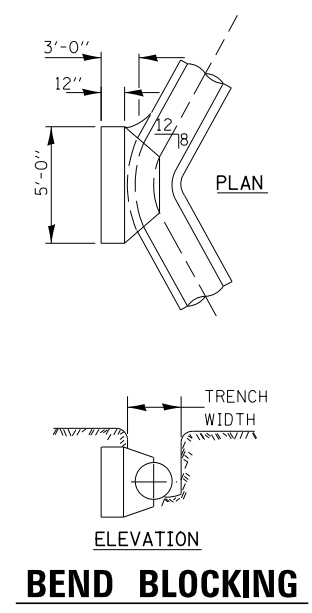


TYPICAL HYDRANT INSTALLATION 561-1



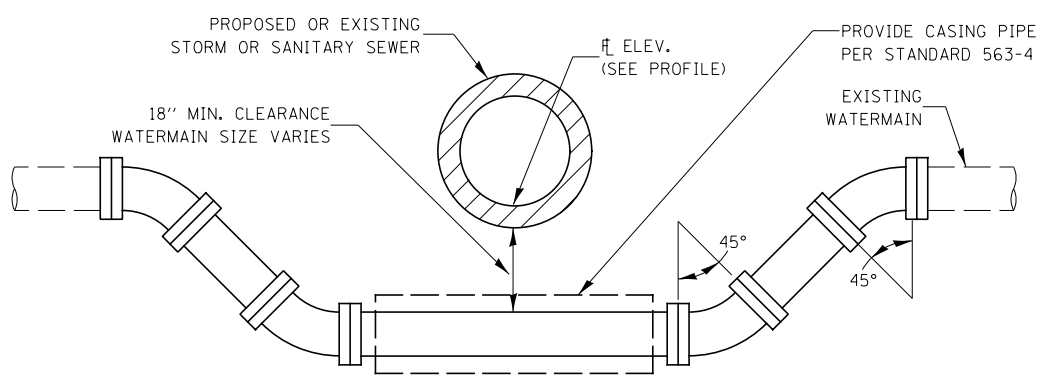
TYPICAL VALVE BOX INSTALLATION



NOTES:
 ALL BLOCKS BEAR AGAINST UNDISTURBED EARTH.
 ALL BLOCKING SHALL BE 3,000 P.S.I. POURED CONCRETE.
 ARROWS INDICATE DIRECTION OF THRUST.
 ALL FITTINGS SHOWN IN PLAN EXCEPT VERTICAL BEND.

TYPICAL THRUST BLOCK INSTALLATIONS

561-5



CROSSING UNDERNEATH STORM SEWER PIPE

FILE NAME = D366B83-SHT-WM-DETAILS.DGN	USER NAME = ...	DESIGNED - PM	REVISED -	STATE OF ILLINOIS DEPARTMENT OF TRANSPORTATION	IL. RTE. 47 WATER MAIN DETAILS			F.A.P. RTE.	SECTION	COUNTY	TOTAL SHEETS	SHEET NO.	
SHT.PLAN	PLOT SCALE = 1"=1'	DRAWN - NV	REVISED -		SCALE: NONE	SHEET 3	OF 27 SHEETS	STA.	TO STA.	326	(110)R, BR & BR-1	GRUNDY	644 424
	PLOT DATE = 09/12	CHECKED - JKC	REVISED -										CONTRACT NO. 66B83
		DATE - 09/12	REVISED -										ILLINOIS FED. AID PROJECT