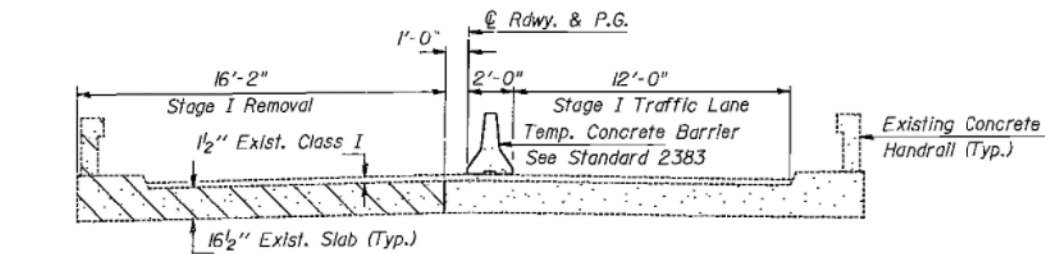


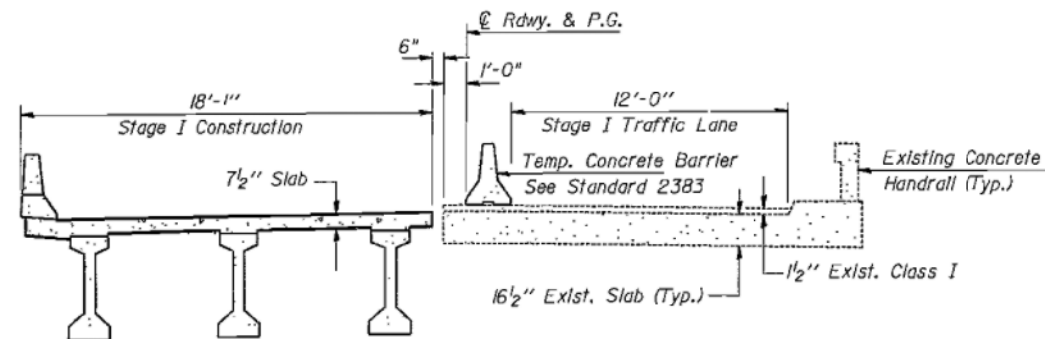
STATE OF ILLINOIS
DEPARTMENT OF TRANSPORTATION

ROUTE NO.	SECTION	COUNTY	TOTAL SHEETS	SHEET NO.	SHEET NO.
F.A. 100	7	GRUNDY	106	52	15 SHEETS

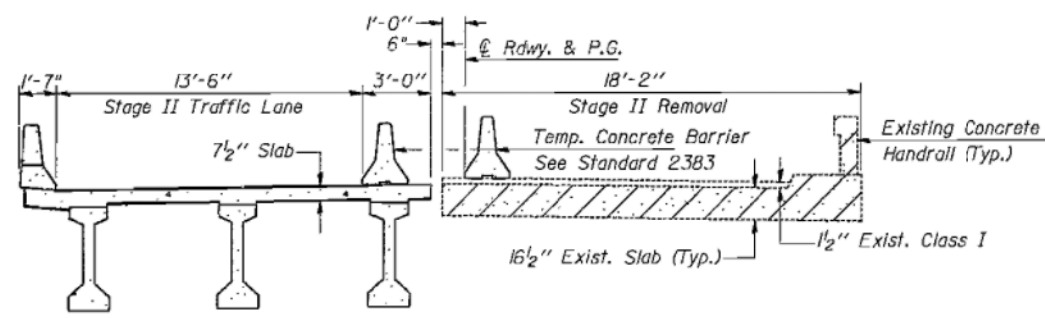
* 110URS-2, 104, 102-1, 8-1
* GRUNDY * REMOVAL



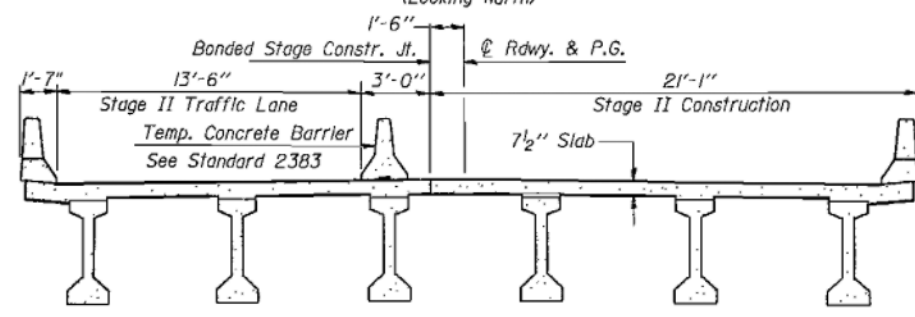
STAGE I REMOVAL
(Looking North)



STAGE I CONSTRUCTION
(Looking North)



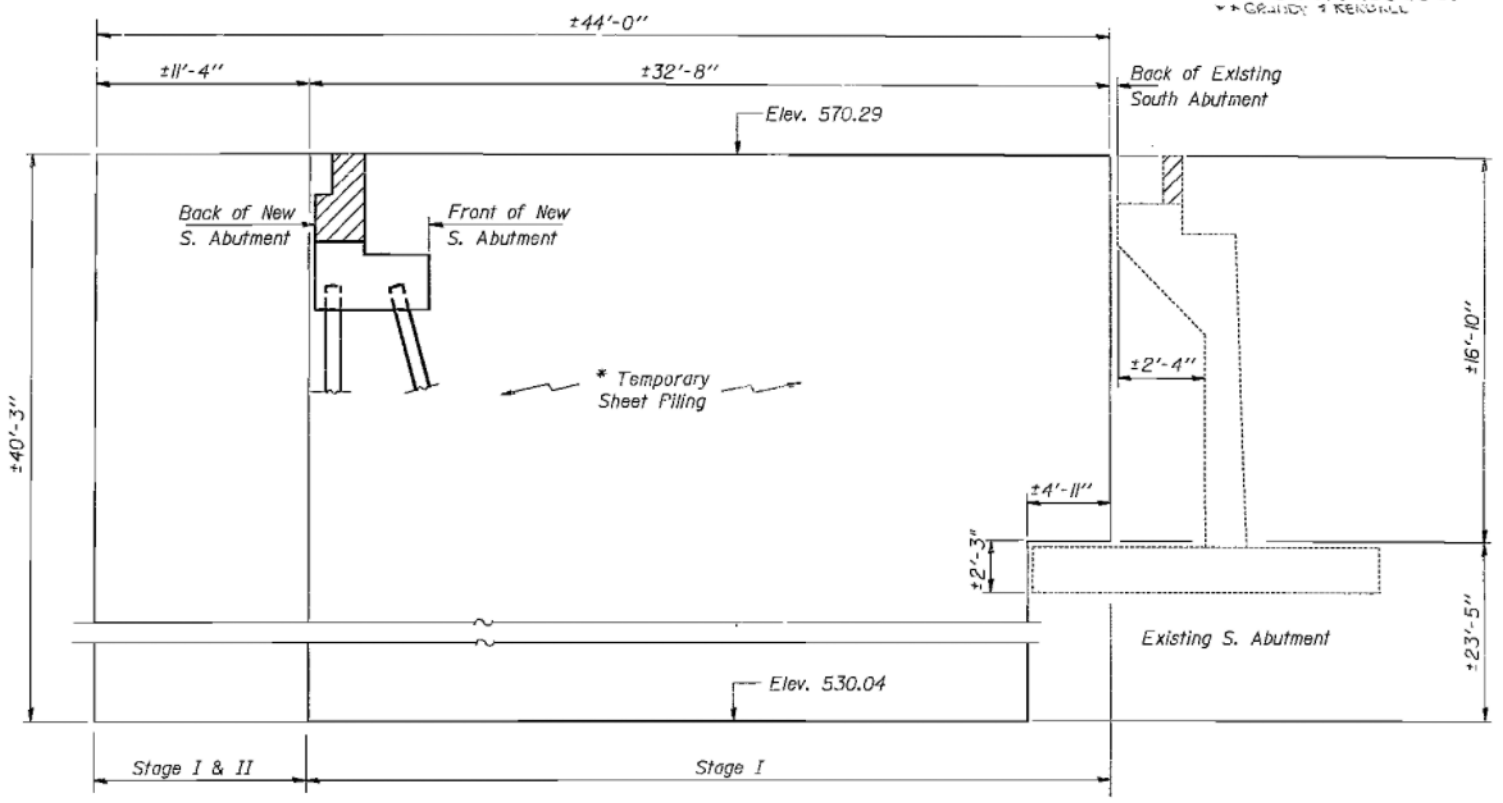
STAGE II REMOVAL
(Looking North)



STAGE II CONSTRUCTION
(Looking North)

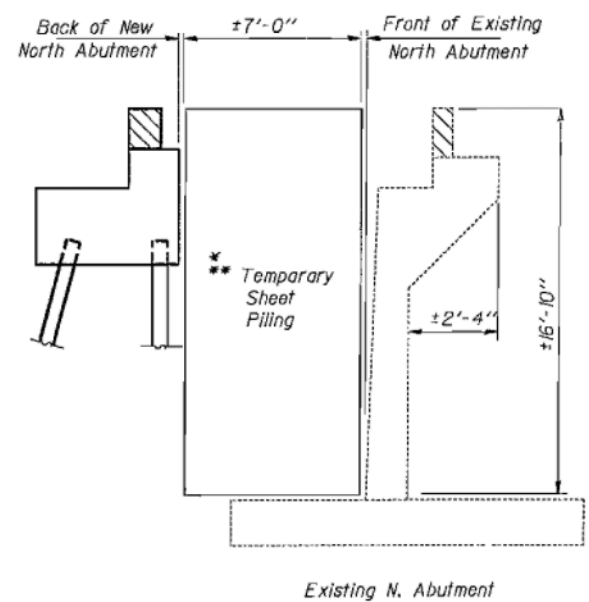
Notes:
Hatched area indicates "Removal of Existing Superstructure".
For details of "Temporary Concrete Barrier" see sheet #3 of 15 sheets.
For quantity of "Temporary Concrete Barrier" see Roadway Plans.
Cost of removal of existing concrete handrail is incidental to "Removal of Existing Structure".
Removal of existing class I asphalt is incidental to "Removal of Existing Structure".

DESIGNED	VECTOR VELIZ	EXAMINED	May 22 1987
CHECKED	Eric Howdy	PASSED	James J. Kasper
DRAWN	Rita Williams	APPROVED	James J. Kasper
CHECKED	V.V. EEG pmp		



*** TEMPORARY SHEET PILING DETAIL - STAGE I & STAGE II REMOVAL & CONSTRUCTION**

* The information shown for the Temporary Sheet Piling is estimated. It is the contractor's responsibility to provide a design of the Temporary Sheet Piling and associated members, if required, subject to the approval of the Engineer. The Temporary Sheet Piling should be placed as shown in details.



** Sheet Piling should be placed after Stage I Construction of abutment cap and prior to backfilling.

FOR INFORMATION ONLY

STAGE CONSTRUCTION DETAILS
TEMPORARY SHEET PILING DETAILS
F.A. RT. 100 SEC. 110BR
GRUNDY COUNTY
STA. 136+58.25

FILE NAME =	USER NAME = bdecreene	DESIGNED -	REVISED -
V:\3195\66883 (South Section)\CADD Sheets\0366883-sht-exstruct-2.dgn		DRAWN -	REVISED -
PLOT SCALE = 2.0000' / in.		CHECKED -	REVISED -
PLOT DATE = 8/6/2013		DATE - 7/15/2013	REVISED -

STATE OF ILLINOIS
DEPARTMENT OF TRANSPORTATION

IL. RTE. 47		F.A.P. RTE.	SECTION	COUNTY	TOTAL SHEETS	SHEET NO.
EXISTING BRIDGE PLANS		326	(110)R, BR & BR-1	GRUNDY	644	400
SCALE: N/A	SHEET 2 OF 23 SHEETS	STA. N/A	TO STA. N/A		CONTRACT NO. 66883	

ILLINOIS	FED. AID PROJECT
----------	------------------