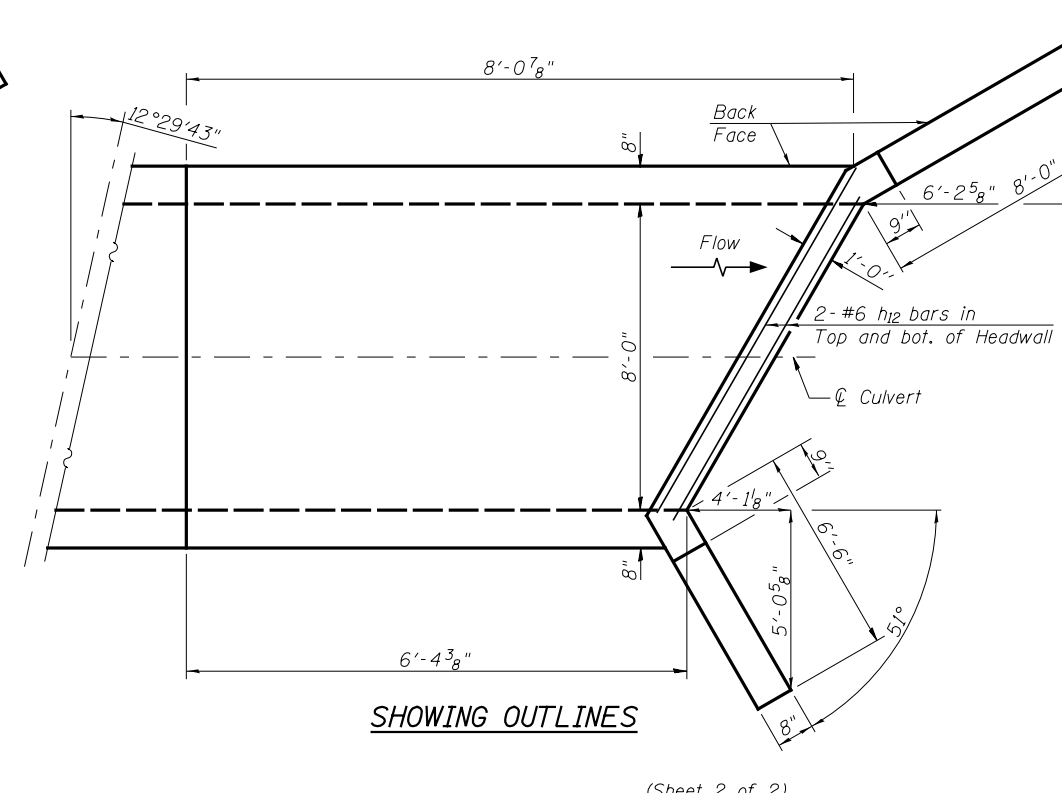
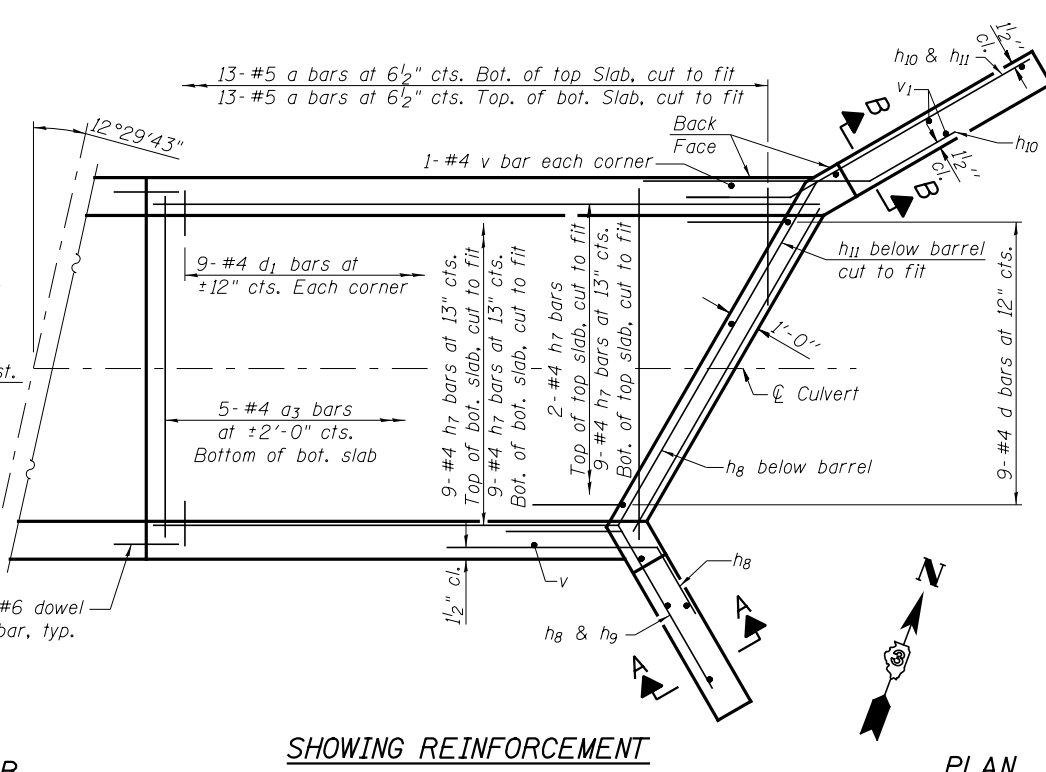
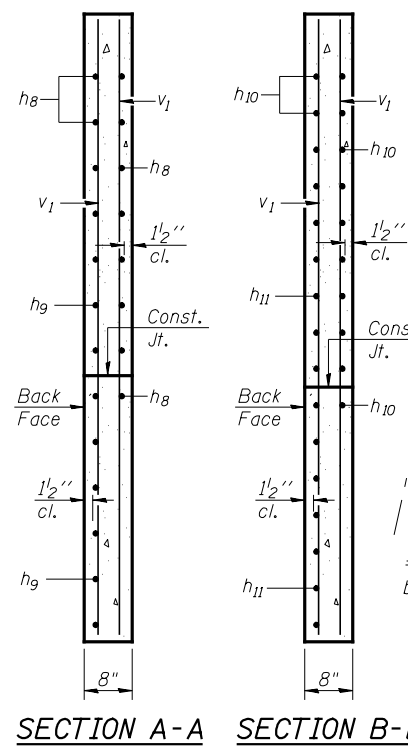
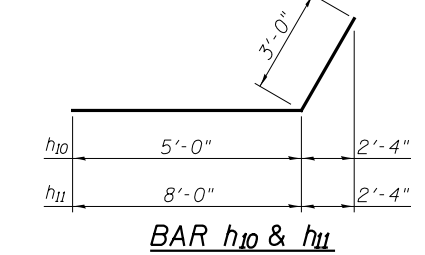
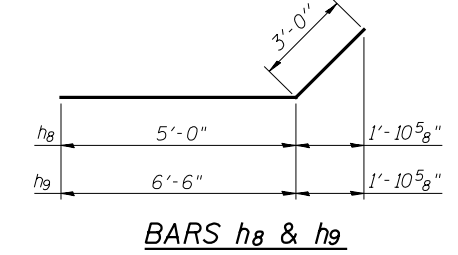
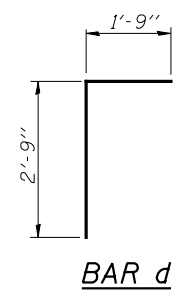
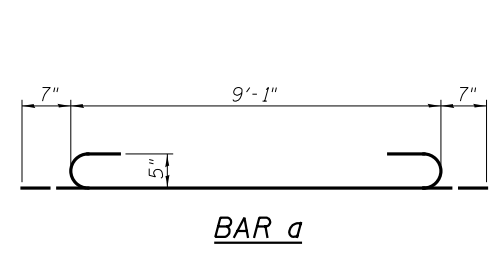


NOTES
A distance of half the length of the wingwall but not less than six feet of the barrel shall be poured monolithically with the wingwalls.



BILL OF MATERIAL

Bar	No.	Size	Length	Shape
a	26	#5	10'-3"	U
a3	5	#4	9'-0"	—
a4	1	#4	8'-9"	—
d	9	#4	4'-6"	T
d1	36	#4	1'-2"	—
h	5	#4	6'-1"	—
h7	34	#4	7'-9"	—
h8	10	#5	8'-0"	—
h9	9	#5	9'-6"	—
h10	13	#5	8'-0"	—
h11	11	#5	11'-0"	—
h12	4	#6	8'-0"	—
v	22	#4	5'-1"	—
v1	8	#4	8'-1"	—
Concrete Box Culverts			Cu. Yd.	7.7
Reinforcement Bars			Pound	1140