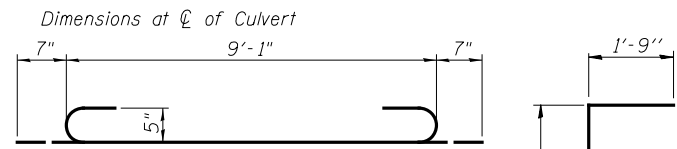


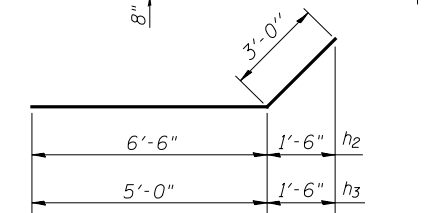
NOTES

A distance of half the length of the wingwall but not less than six feet of the barrel shall be poured monolithically with the wingwalls.

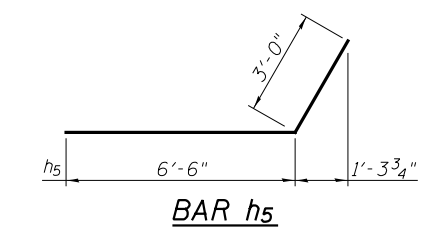


BAR a

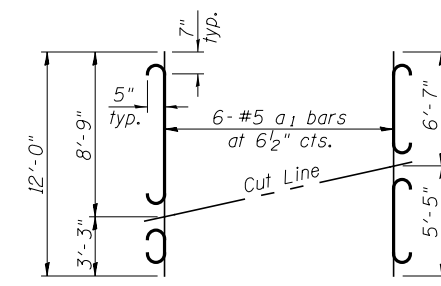
BAR d



BARS h2 & h3

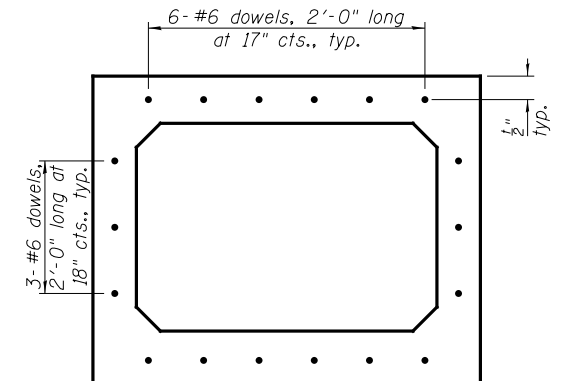


BAR h5

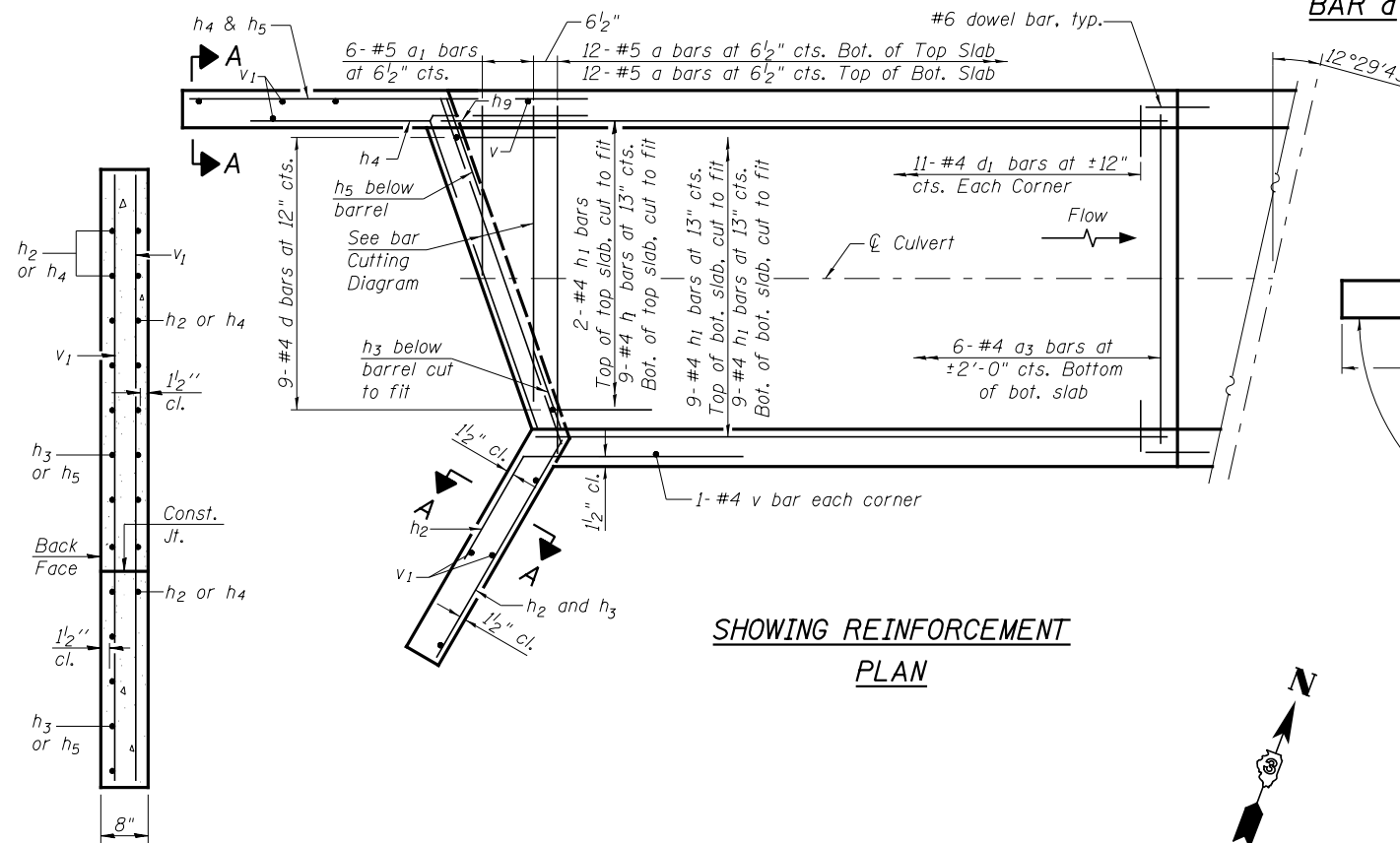


FIELD CUTTING DIAGRAM

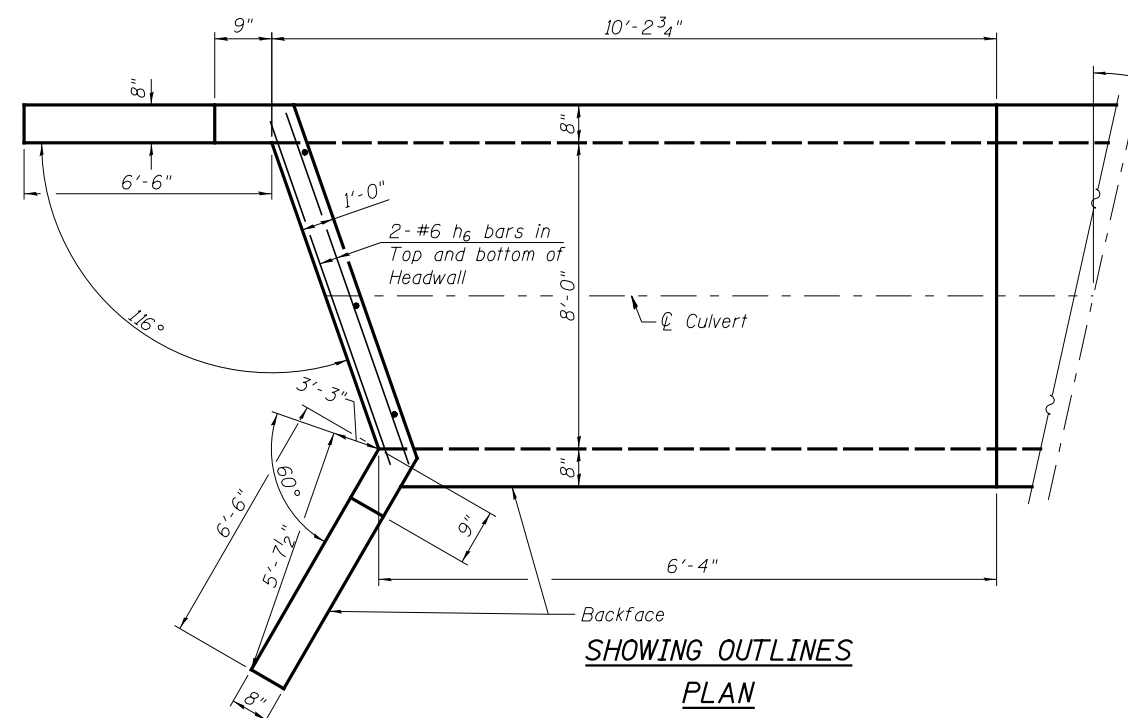
Order a1 bars full length and cut as shown above. Place as indicated in Plan and Section views. Bend in field as required.



PRECAST CONCRETE CULVERT END ELEVATION



SHOWING REINFORCEMENT PLAN



SHOWING OUTLINES PLAN

SECTION A-A

BILL OF MATERIAL

Bar	No.	Size	Length	Shape
a	24	#5	10'-3"	U
a1	6	#5	12'-0"	U
a2	1	#4	9'-7"	—
a3	6	#4	9'-0"	—
d	9	#4	4'-6"	L
d1	44	#4	1'-2"	—
h	5	#4	6'-1"	—
h1	34	#4	9'-11"	—
h2	10	#5	9'-6"	—
h3	9	#5	8'-0"	—
h4	10	#5	10'-8"	—
h5	9	#5	9'-6"	—
h6	4	#6	9'-2"	—
v	24	#4	5'-1"	—
v1	8	#4	8'-1"	—
Concrete Box Culverts			Cu. Yd.	7.9
Reinforcement Bars			Pound	1240