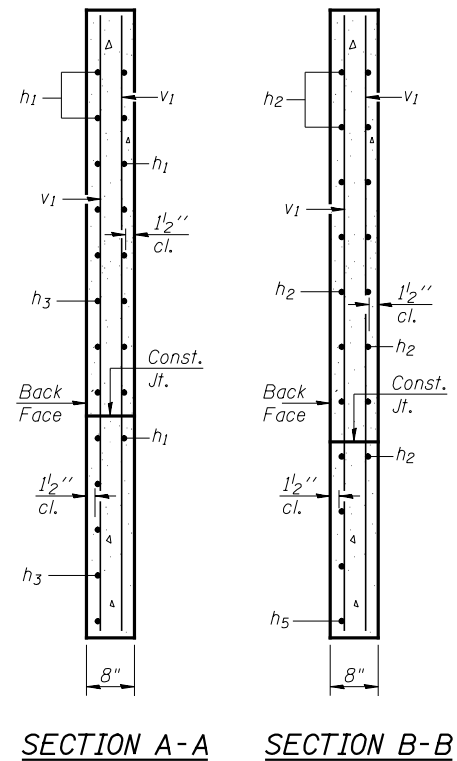
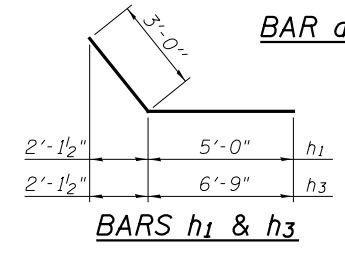
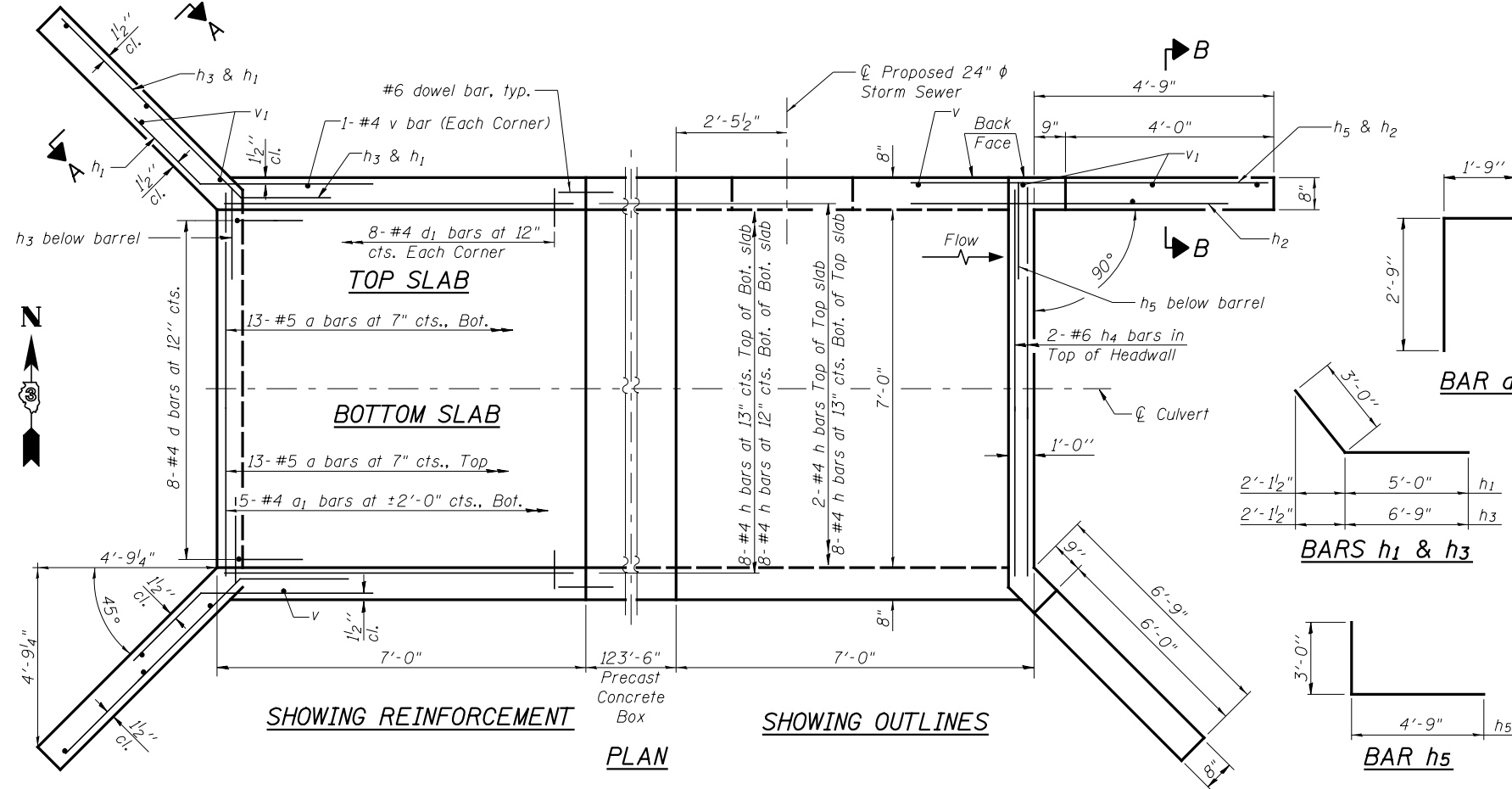
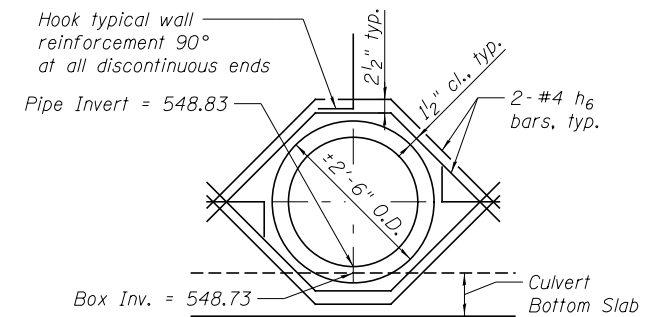
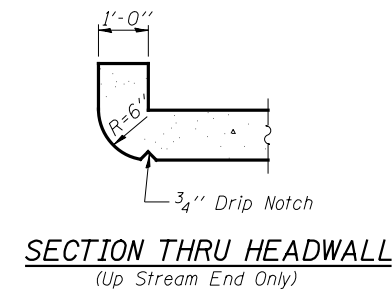
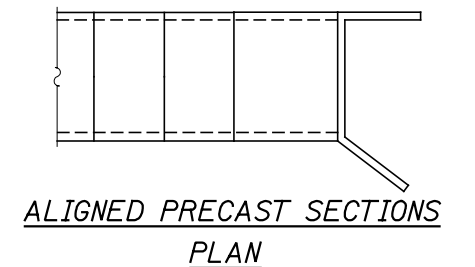
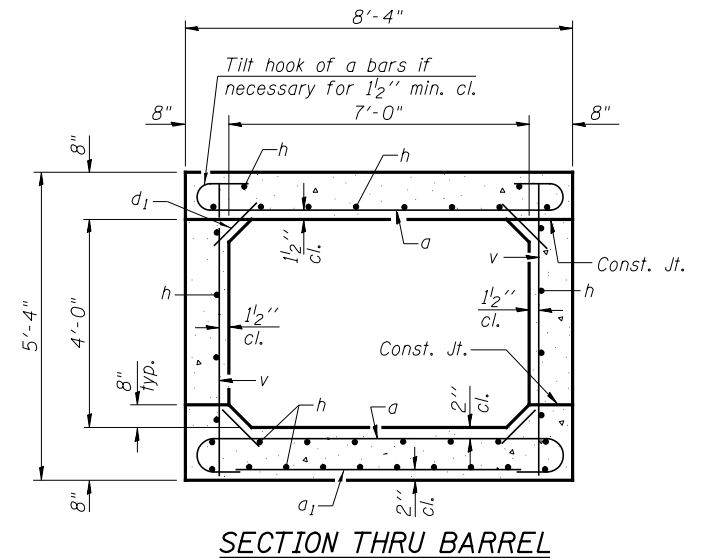
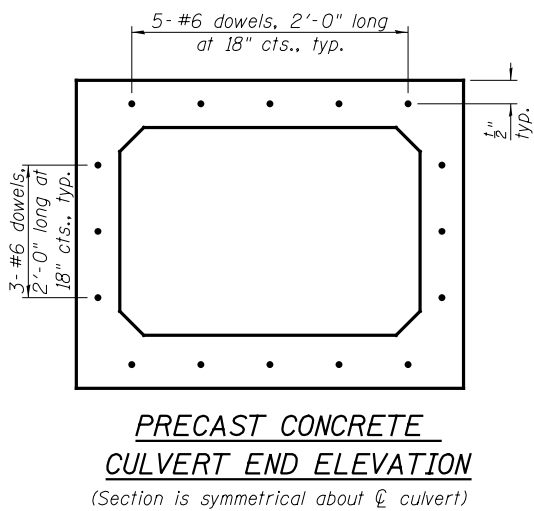


END LONG. SECTION

END ELEVATION



Notes:  
A distance of half the length of the wingwall but not less than six feet of the barrel shall be poured monolithically with the wingwalls.

**BILL OF MATERIAL**

Bar	No.	Size	Length	Shape	
a	52	#5	9'-3"	U	
a1	12	#4	8'-1"	—	
d	16	#4	4'-6"	L	
d1	64	#4	1'-2"	—	
h	62	#4	6'-9"	—	
h1	30	#5	8'-0"	—	
h2	15	#4	8'-9"	—	
h3	27	#5	9'-9"	—	
h4	4	#6	6'-11"	—	
h5	4	#4	7'-9"	—	
h6	4	#4	6'-0"	—	
v	36	#4	5'-1"	—	
v1	16	#4	8'-0"	—	
Concrete Box Culverts				Cu. Yd.	13.7
Reinforcement Bars				Pound	1850