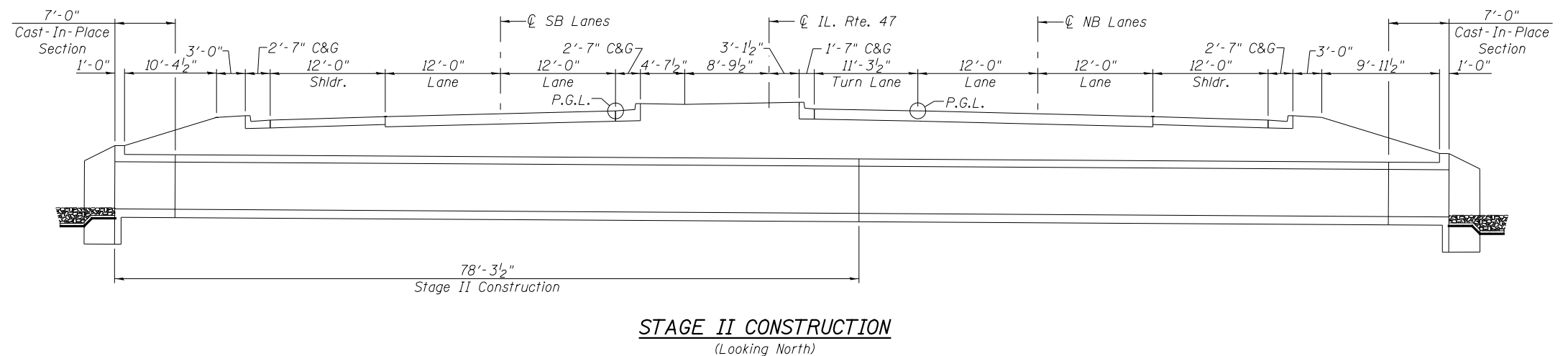
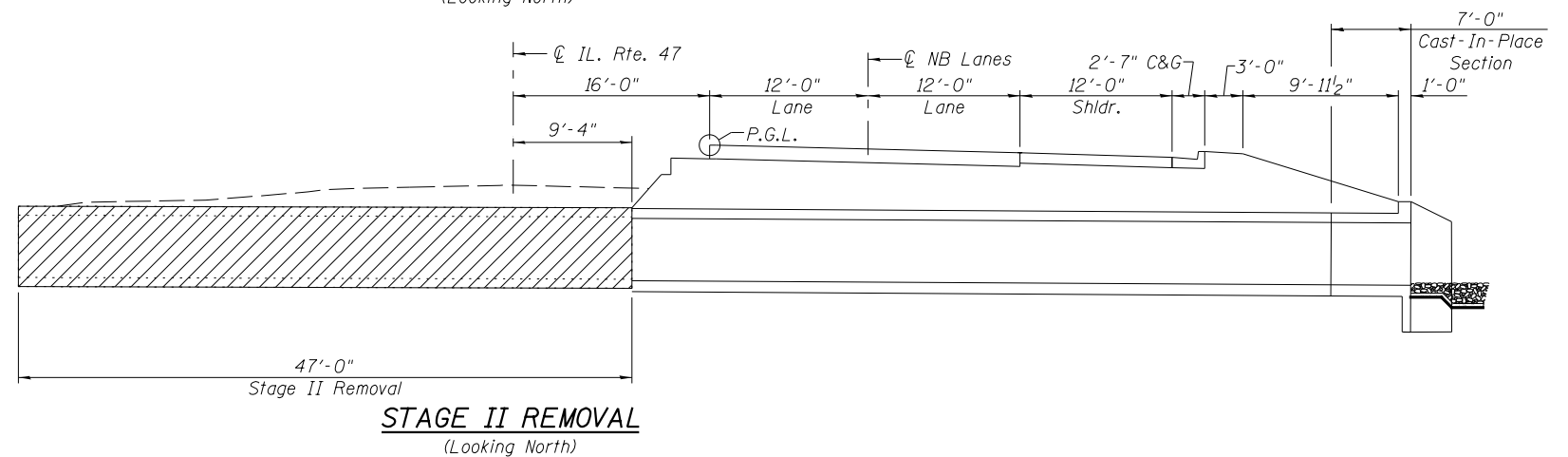
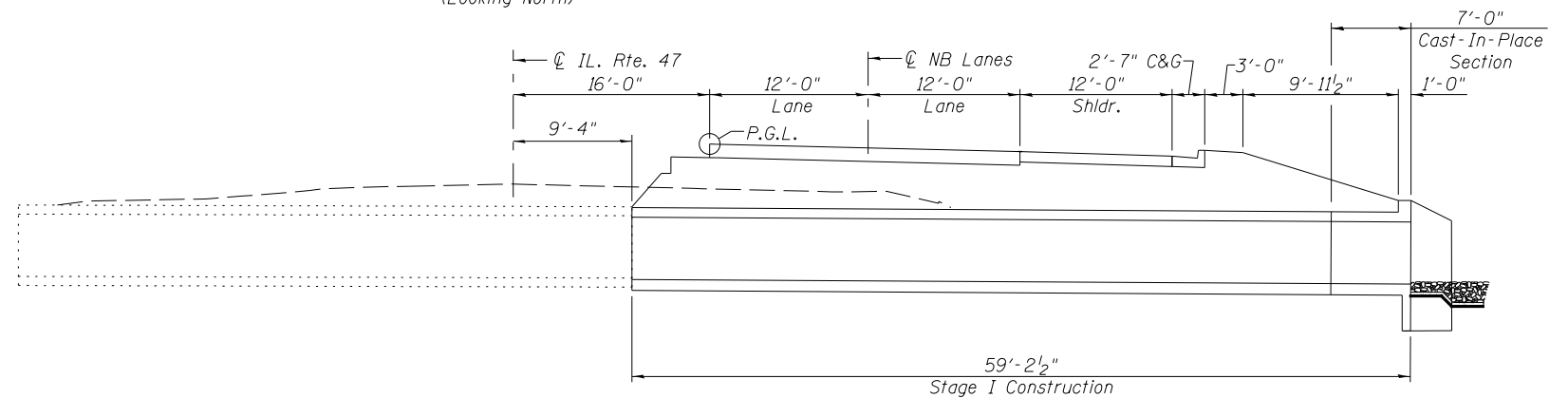
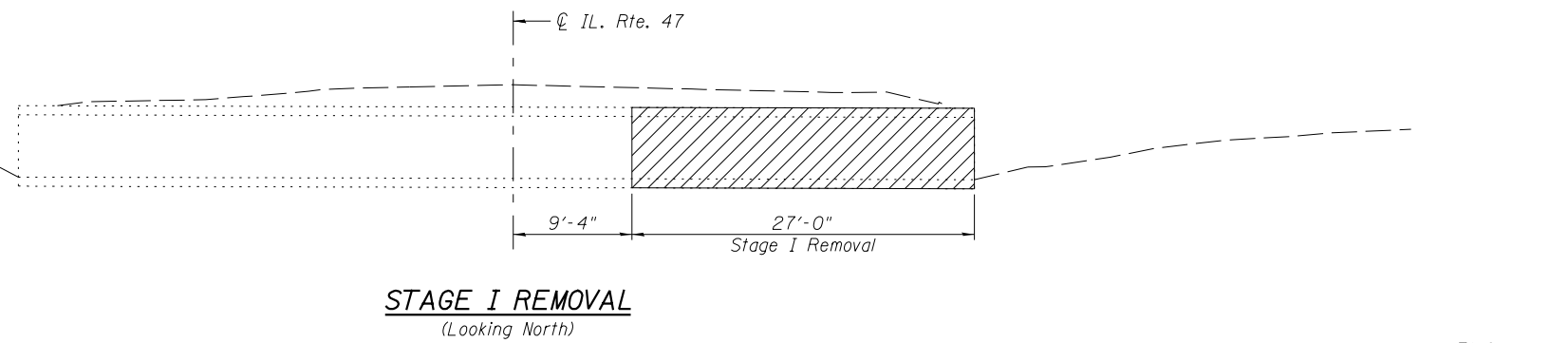


**TEMPORARY SOIL RETENTION**

A cantilevered sheet piling design does not appear feasible and additional members or other retention systems may be necessary. The Contractor shall submit a temporary soil retention system design including plan details and calculations for review and acceptance by the Engineer.  
 Slopes shown are parallel to  $\phi$  of Roadway, unless noted otherwise.



REVISED -	USER NAME =	DESIGNED - PSS
REVISED -	FILE NAME =	CHECKED - VPT
REVISED -	PLOT SCALE =	DRAWN - AJF
REVISED -	PLOT DATE =	CHECKED - VPT



**STATE OF ILLINOIS**  
**DEPARTMENT OF TRANSPORTATION**

**GENERAL DATA**  
**STRUCTURE NO. 032-2538**

SHEET NO. 2 OF 4 SHEETS

F.A.P. RTE.	SECTION	COUNTY	TOTAL SHEETS	SHEET NO.
326	(110)R, BR & BR-1	GRUNDY	644	319
CONTRACT NO. 66B83				
ILLINOIS FED. AID PROJECT				