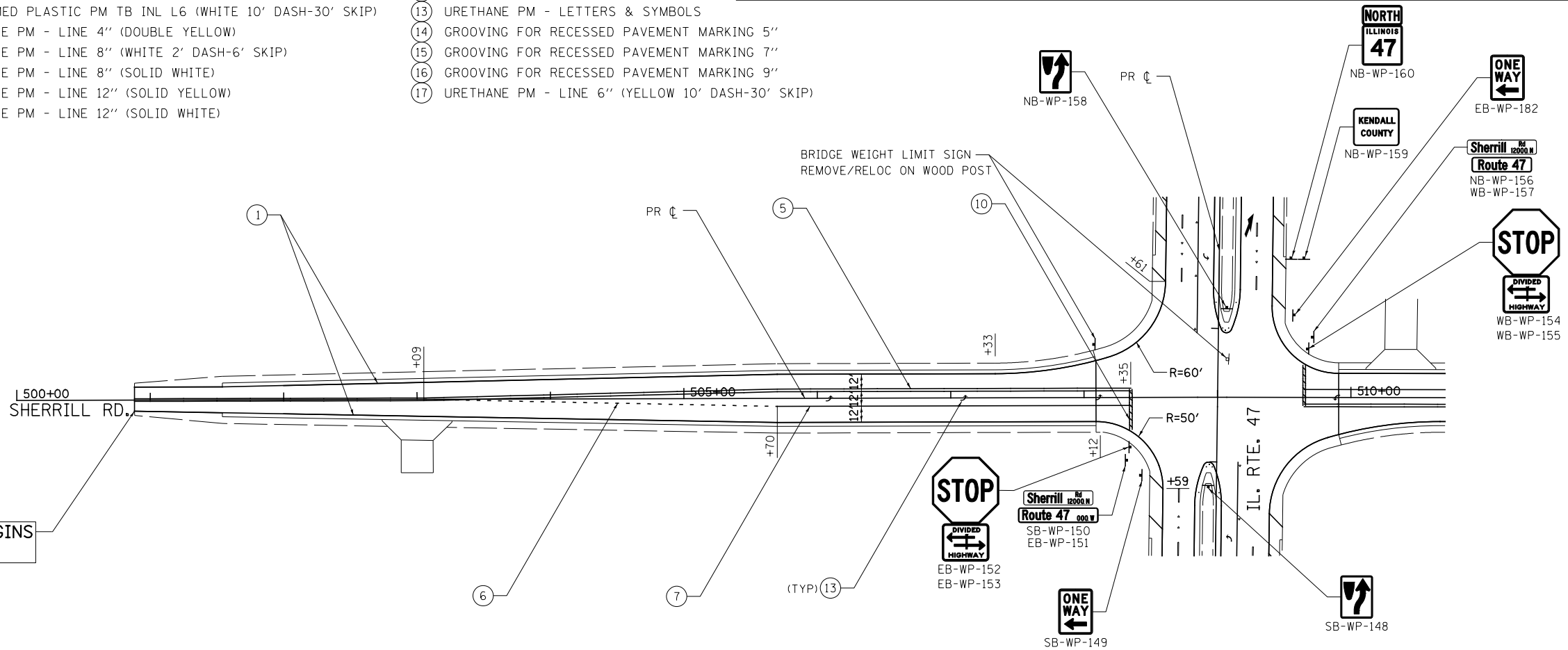
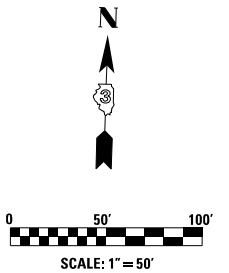


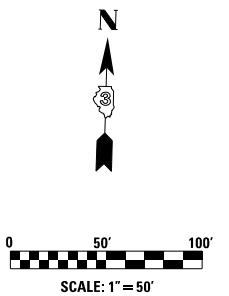
IMPROVEMENT BEGINS  
STA. 403+58

PAVEMENT MARKING LEGEND

- |                                                            |                                                    |
|------------------------------------------------------------|----------------------------------------------------|
| ① URETHANE PM - LINE 4" (SOLID WHITE)                      | ⑩ URETHANE PM - LINE 24" (SOLID WHITE)             |
| ② URETHANE PM - LINE 4" (SOLID YELLOW)                     | ⑪ RAISED REFLECTIVE PM (ONE-WAY CRYSTAL)           |
| ③ URETHANE PM - LINE 6" (WHITE 10' DASH-30' SKIP)          | ⑫ PRISMATIC CURB REFLECTOR                         |
| ④ PREFORMED PLASTIC PM TB INL L6 (WHITE 10' DASH-30' SKIP) | ⑬ URETHANE PM - LETTERS & SYMBOLS                  |
| ⑤ URETHANE PM - LINE 4" (DOUBLE YELLOW)                    | ⑭ GROOVING FOR RECESSED PAVEMENT MARKING 5"        |
| ⑥ URETHANE PM - LINE 8" (WHITE 2' DASH-6' SKIP)            | ⑮ GROOVING FOR RECESSED PAVEMENT MARKING 7"        |
| ⑦ URETHANE PM - LINE 8" (SOLID WHITE)                      | ⑯ GROOVING FOR RECESSED PAVEMENT MARKING 9"        |
| ⑧ URETHANE PM - LINE 12" (SOLID YELLOW)                    | ⑰ URETHANE PM - LINE 6" (YELLOW 10' DASH-30' SKIP) |
| ⑨ URETHANE PM - LINE 12" (SOLID WHITE)                     |                                                    |



IMPROVEMENT BEGINS  
STA. 500+88



FILE NAME =	USER NAME = bdecreene	DESIGNED - BS	REVISED -
V:\3195\66883 (South Section)\CADD Sheets\0366883-sht-pmk-12.dgn		DRAWN - BS	REVISED -
	PLOT SCALE = 100.0000' / in.	CHECKED - ST	REVISED -
SHT.DOUBLE.PLAN	PLOT DATE = 8/6/2013	DATE - 7/15/2013	REVISED -

**STATE OF ILLINOIS  
DEPARTMENT OF TRANSPORTATION**

**MINOOKA RD. & SHERRILL RD.  
PAVEMENT MARKING AND SIGNING PLANS**

SCALE: 1"=50' SHEET NO. 12 OF 13 SHEETS STA. TO STA.

F.A.P. RTE.	SECTION	COUNTY	TOTAL SHEETS	SHEET NO.
326	(110)R, BR & BR-1	GRUNDY	644	270
CONTRACT NO. 66B83				
ILLINOIS FED. AID PROJECT				