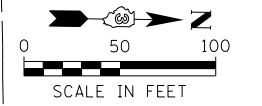
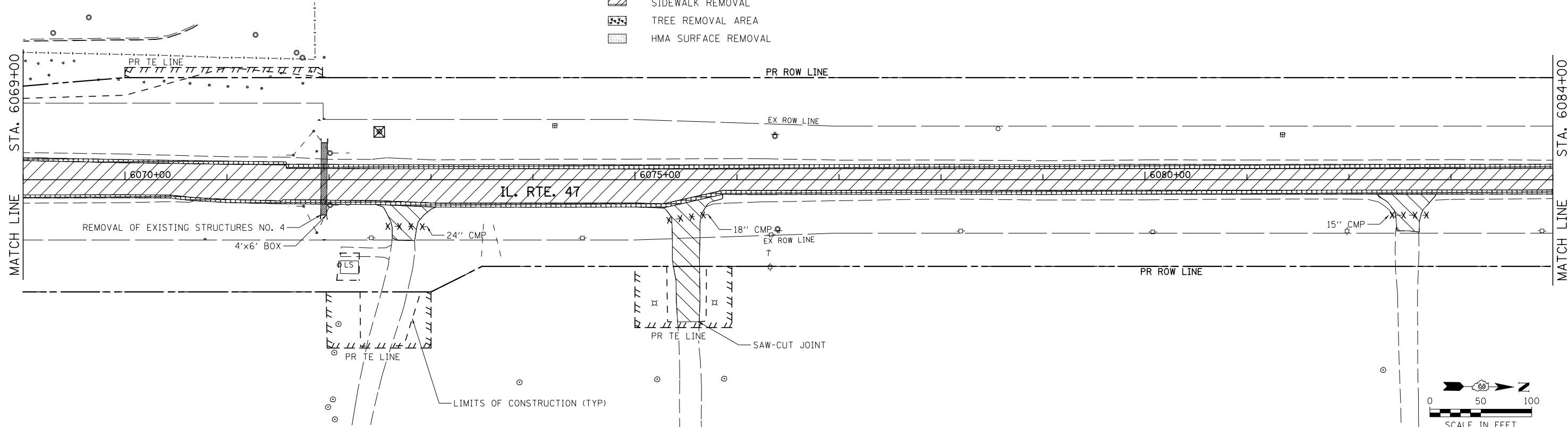
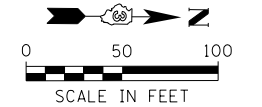


LEGEND

- PAVEMENT REMOVAL
- DRAINAGE STRUCTURE TO BE REMOVED
- COMB. CONC. CURB AND GUTTER REMOVAL
- PIPE CULVERT/STORM SEWER REMOVAL
- TREE REMOVAL
- DRIVEWAY PAVEMENT REMOVAL
- GUARDRAIL REMOVAL
- PAVED SHOULDER REMOVAL
- REMOVAL OF EXISTING STRUCTURES
- ISLAND PAVEMENT REMOVAL
- SIDEWALK REMOVAL
- TREE REMOVAL AREA
- HMA SURFACE REMOVAL



FILE NAME =	USER NAME = bdecreene	DESIGNED - AS	REVISED -
V:\3195\66883 (South Section)\CADD Sheets\0366883-sht-rem-02.dgn		DRAWN - AS	REVISED -
	PLOT SCALE = 100.0000' / 1in.	CHECKED - ST	REVISED -
SHT.PLAN	PLOT DATE = 8/6/2013	DATE - 7/15/2013	REVISED -

**STATE OF ILLINOIS
DEPARTMENT OF TRANSPORTATION**

**IL. RTE. 47
REMOVAL PLANS**

SCALE: 1"=50' SHEET NO. 2 OF 13 SHEETS STA. 6054+00 TO STA. 6084+00

F.A.P. RTE.	SECTION	COUNTY	TOTAL SHEETS	SHEET NO.
326	(110)R, BR & BR-1	GRUNDY	644	100
CONTRACT NO. 66B83				
ILLINOIS FED. AID PROJECT				