

Benchmark: Chiseled "□" on top NE wingwall, 16.682' Rt. Sta. 602+63.67; Elev. 648.03

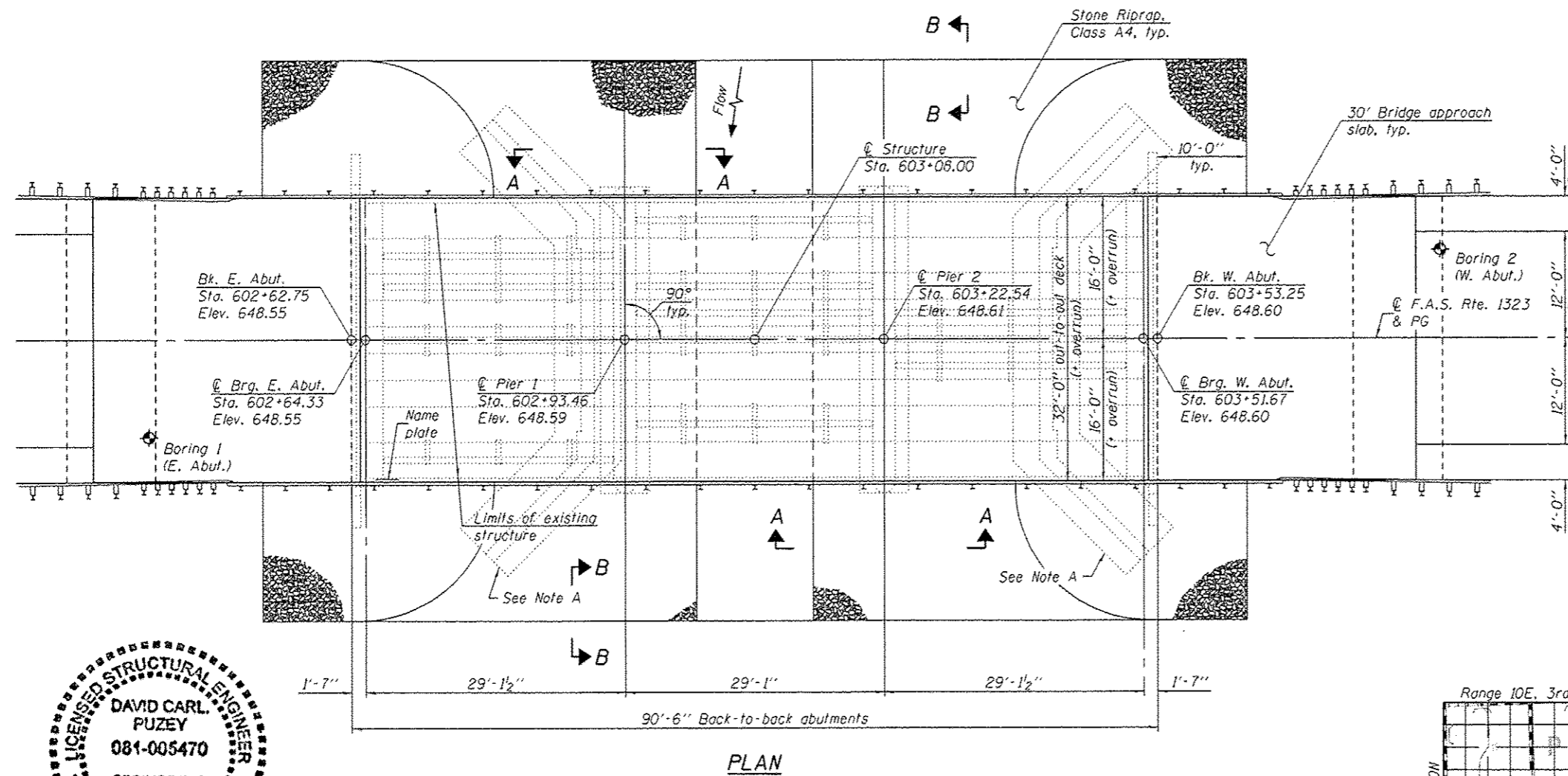
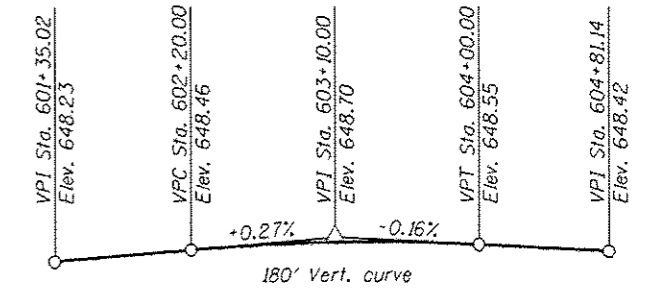
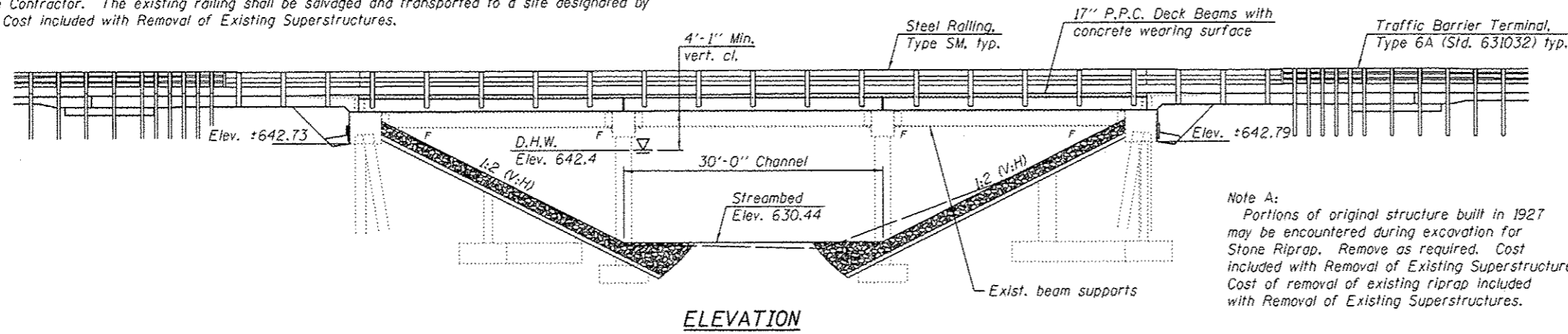
Existing structure: Structure No. 046-0109, built in 1981 as S.B.I. Rt. 115, Section 102BR at Sta. 603+08 as a three span PPC deck beam structure. 90'-6" back-to-back abutments, supported on concrete piles at abutments and spread footing piers. Existing superstructure and bridge approach slabs are to be removed and replaced. The existing structure shall be replaced during road closure.

Salvage: The existing steel beams located underneath the existing deck beams shall be removed and become property of the Contractor. The existing railing shall be salvaged and transported to a site designated by the Engineer. Cost included with Removal of Existing Superstructures.

STATION 603+08.00
REBUILT 20 BY
STATE OF ILLINOIS
F.A.S. RTE. 1323 SEC. 102-BR
LOADING HL-93
STRUCTURE NO. 046-0109

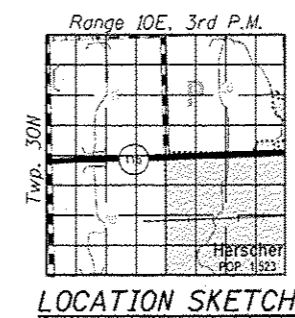
NAME PLATE
See Std. 515001

Existing Name Plate shall be cleaned and relocated next to new Name Plate. Cost included with Name Plates.



- DESIGN SPECIFICATIONS**
2012 AASHTO LRFD Bridge Design Specifications, 6th Edition
- DESIGN STRESSES**
- FIELD UNITS (NEW CONSTRUCTION)**
f'c = 3,500 psi (substructure repairs)
f'ci = 5,000 psi (wearing surface)
fy = 60,000 psi (Reinforcement)
- FIELD UNITS (EXIST. CONSTRUCTION)**
f'c = 3,500 psi
fy = 60,000 psi (Reinforcement)
- PRECAST PRESTRESSED UNITS**
f'c = 6,000 psi
f'ci = 5,000 psi
f_{pu} = 270,000 psi (1/2" low relax. strands)
f_{pbt} = 201,960 psi (1/2" low relax. strands)
- LOADING HL-93 (NEW CONSTRUCTION)**
Allow 50#/sq. ft. for future wearing surface.
- LOADING HS20-44 (EXIST. CONSTRUCTION)**
- SEISMIC DATA**
Seismic Performance Zone (SPC) = A
Bedrock Acceleration Coefficient (A) = 0.042
Site Coefficient (S) = 1.2

GENERAL PLAN & ELEVATION
F.A.S. RTE. 1323 (IL RTE. 115)
OVER WEST BRANCH OF HORSE CREEK
SEC. 102-BR
KANKAKEE COUNTY
STATION 603+08.00
STRUCTURE NO. 046-0109



DAVID CARL PUZEY
081-005470
SPRINGFIELD ILLINOIS
STATE OF ILLINOIS
Expires 11/30/14

Note: For Sections A-A and B-B, see sheet 2 of 22.

DESIGNED - Fossata	EXAMINED - Jan F. [Signature]	DATE - 10/1/2013	STATE OF ILLINOIS DEPARTMENT OF TRANSPORTATION	GENERAL PLAN & ELEVATION STRUCTURE NO. 046-0109 SHEET NO. 1 OF 22 SHEETS	F.A.S. RTE. 1323	SECTION 102-BR	COUNTY KANKAKEE	TOTAL SHEETS 53	SHEET NO. 17
CHECKED - [Signature]	PASSED - [Signature]	REVISED			CONTRACT NO. 66866	ILLINOIS FED. AID PROJECT			
DRAWN - h.t. duong	ACTING ENGINEER OF BRIDGES AND STRUCTURES	REVISED							
CHECKED - PT/ORA									