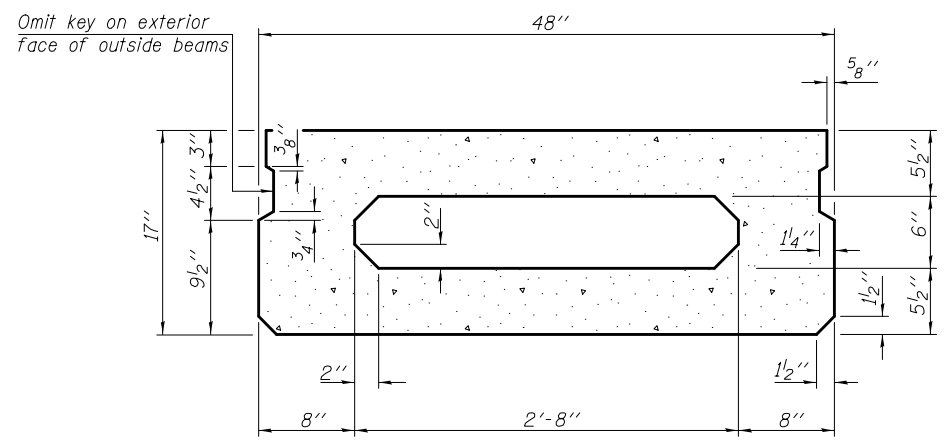
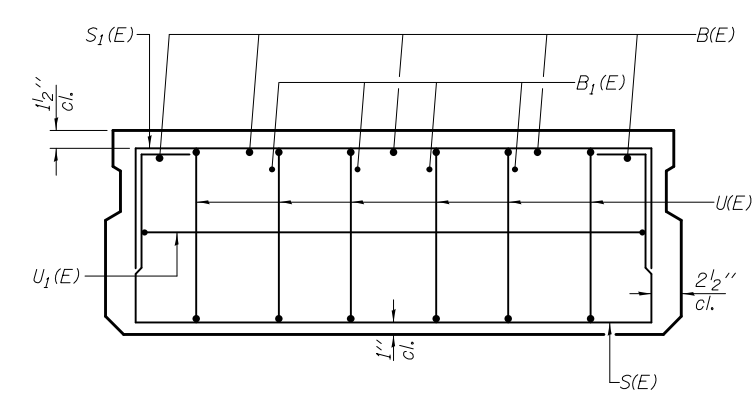


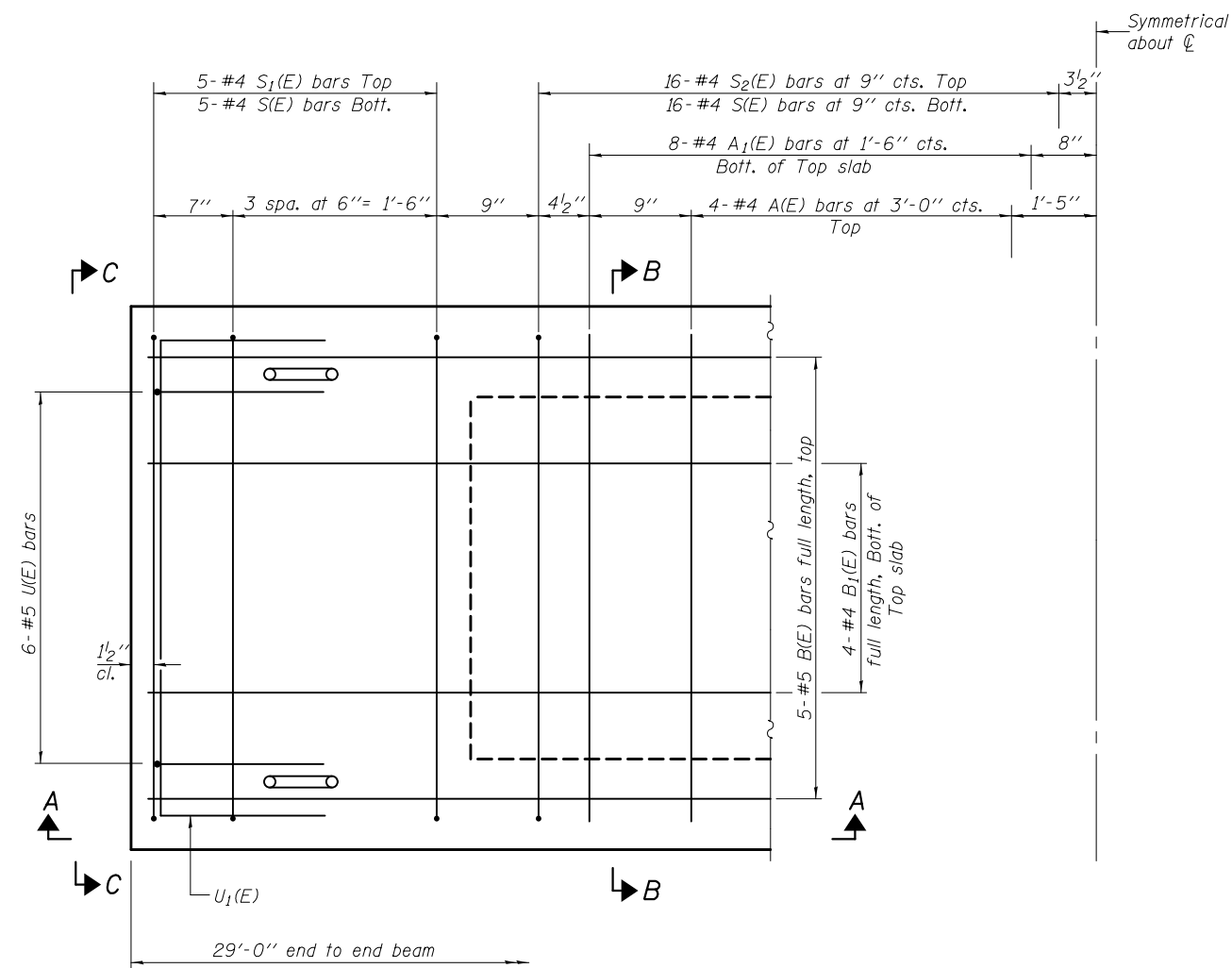
**SECTION A-A**



**SECTION B-B**  
(Showing dimensions)

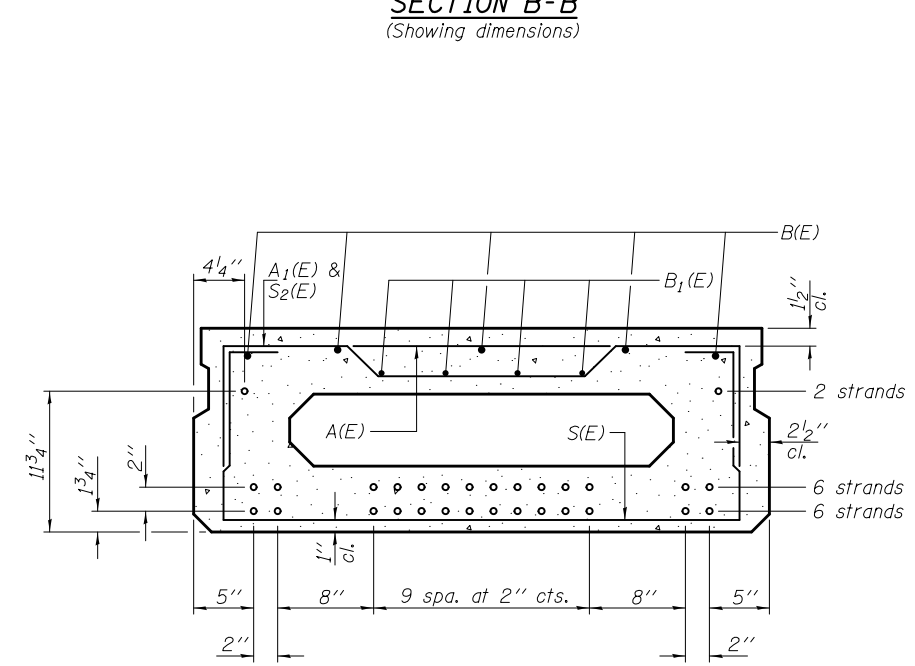


**VIEW C-C**



**PLAN VIEW**

Note: Spacing of S(E) and S2(E) bars may be adjusted up to 4" in the immediate area of the transverse tie diaphragms to miss the block outs for the transverse ties.



**SECTION B-B**

(Showing reinforcement and permissible strand locations)

Note: Place the number of strands specified in each row symmetrically about the centerline of beam in the permissible strand locations shown.

**MIN. BAR LAPS**

#4 bar = 2'-0"  
#5 bar = 2'-6"

**BAR LIST**  
**ONE BEAM ONLY**  
(For information only)

Bar	No.	Size	Length	Shape
A(E)	8	#4	3'-7"	—
A1(E)	16	#4	3'-10"	—
B(E)	4	#5	28'-9"	—
B1(E)	3	#4	28'-9"	—
S(E)	42	#4	6'-9"	□
S1(E)	10	#4	5'-3"	□
S2(E)	32	#4	5'-6"	□
U(E)	12	#5	3'-8"	□
U1(E)	2	#4	6'-0"	□

Note: See sheet 15 of 22 for additional details and Bill of Material.

PD-1748-0

7-1-10

DESIGNED - Eass Teklehmanot  
CHECKED - Ray Ahanchi  
DRAWN - b.t. duong  
CHECKED - ETZGRA

EXAMINED - *Joanne F. Duff*  
PASSED - *Carl P. ...*  
ACTING ENGINEER OF BRIDGES AND STRUCTURES

DATE - OCTOBER 1, 2013  
REVISED -  
REVISED -

STATE OF ILLINOIS  
DEPARTMENT OF TRANSPORTATION

17" x 48" PPC DECK BEAM (SPAN 2)  
STRUCTURE NO. 046-0109

SHEET NO. 14 OF 22 SHEETS

F.A.S. RT.E.	SECTION	COUNTY	TOTAL SHEETS	SHEET NO.
1323	102-BR	KANKAKEE	53	30
				CONTRACT NO. 66B66

ILLINOIS FED. AID PROJECT