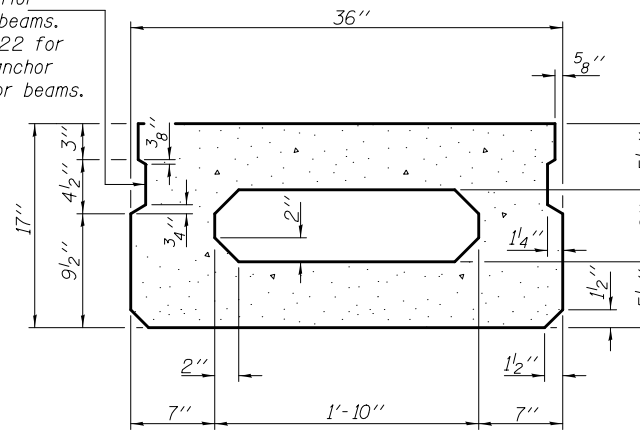
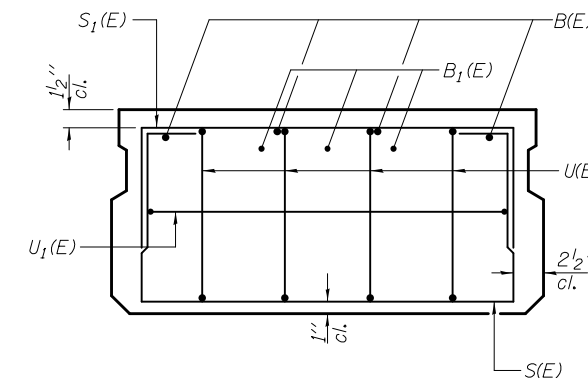


SECTION A-A

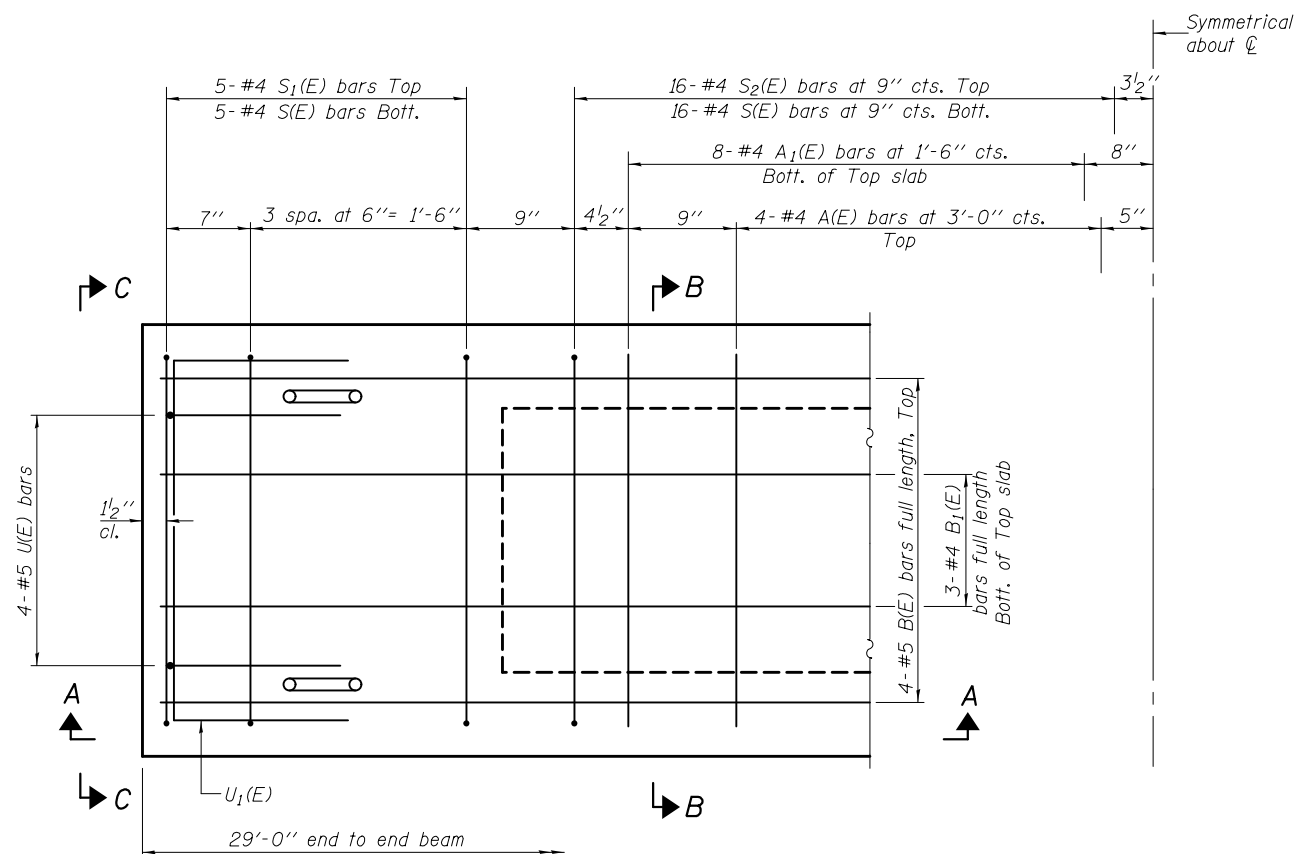
Omit key on exterior face of outside beams. See sheet 4 of 22 for location of rail anchor device on exterior beams.



SECTION B-B
(Showing dimensions)

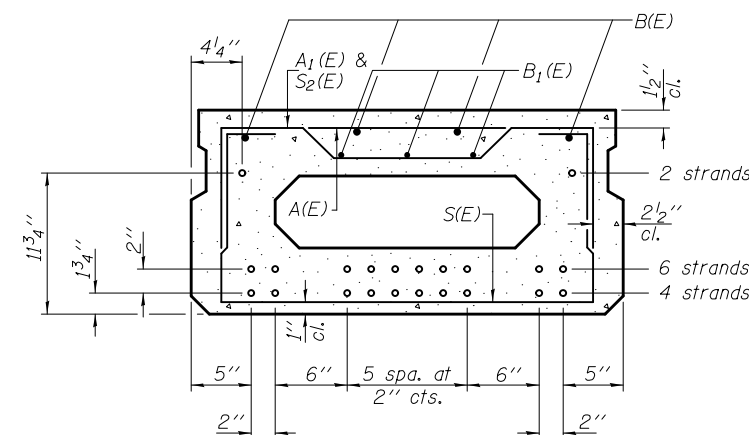


VIEW C-C



PLAN VIEW

Note: Spacing of S(E) and S2(E) bars may be adjusted up to 4" in the immediate area of the transverse tie diaphragms to miss the block outs for the transverse ties.



SECTION B-B

(Showing reinforcement and permissible strand locations)

Note: Place the number of strands specified in each row symmetrically about the centerline of beam in the permissible strand locations shown.

BAR LIST
ONE BEAM ONLY
(For information only)

Bar	No.	Size	Length	Shape
A(E)	8	#4	2'-7"	—
A1(E)	16	#4	2'-10"	—
B(E)	4	#5	28'-9"	—
B1(E)	3	#4	28'-9"	—
*D(E)	12	#4	2'-9"	—
S(E)	42	#4	5'-9"	□
S1(E)	10	#4	4'-3"	□
S2(E)	32	#4	4'-6"	□
U(E)	8	#5	3'-8"	□
U1(E)	2	#4	5'-0"	□

*D(E) bars located on exterior face of outside beams only.

MIN. BAR LAPS

#4 bar = 2'-0"
#5 bar = 2'-6"

Note: See sheet 13 of 22 for additional details and Bill of Material.
See sheet 3 of 22 for detail of D(E) bar.

DESIGNED - Eass Teklehalmant	EXAMINED - <i>Joanne F. [Signature]</i>	DATE - OCTOBER 1, 2013
CHECKED - Raq. Ahanchi	PASSED - <i>Carl [Signature]</i>	REVISED -
DRAWN - b.t. duong	ACTING ENGINEER OF BRIDGES AND STRUCTURES	REVISED -
CHECKED - ETZGRA		

STATE OF ILLINOIS
DEPARTMENT OF TRANSPORTATION

17" x 36" PPC DECK BEAM (SPAN 2)
STRUCTURE NO. 046-0109

SHEET NO. 12 OF 22 SHEETS

F.A.S. RTE.	SECTION	COUNTY	TOTAL SHEETS	SHEET NO.
1323	102-BR	KANKAKEE	53	28
			CONTRACT NO. 66B66	
ILLINOIS FED. AID PROJECT				