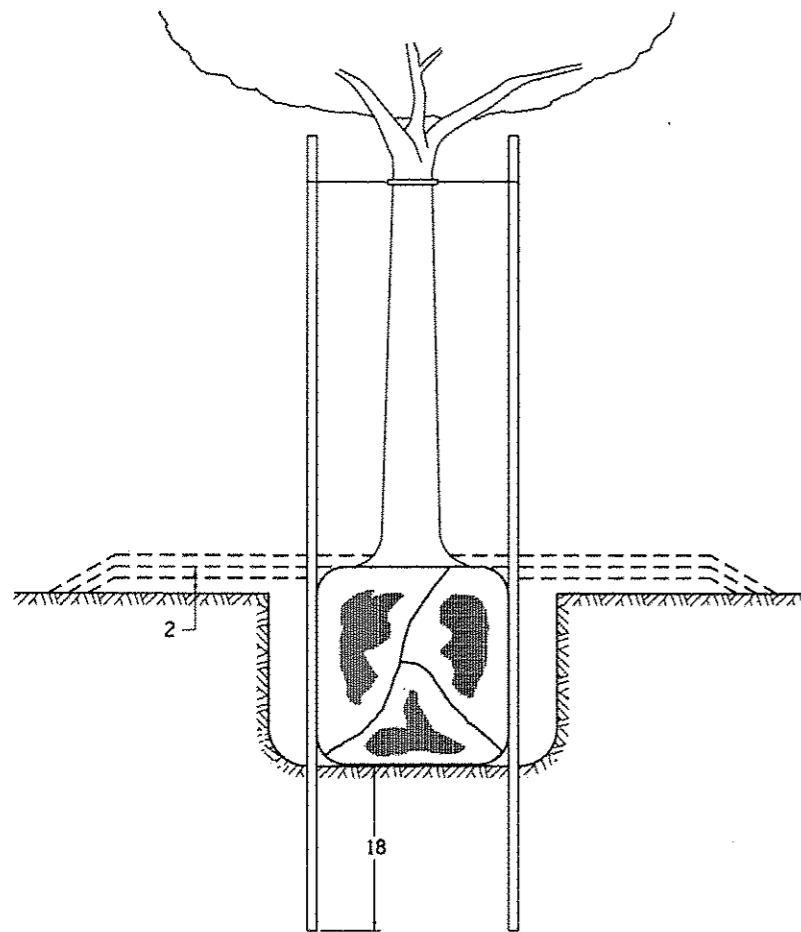
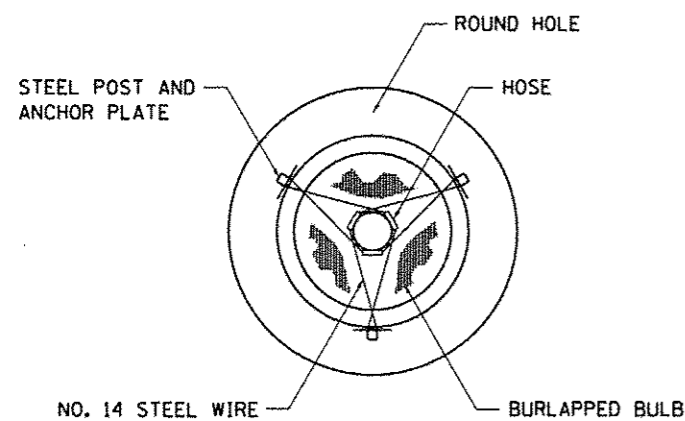


DETAILS OF PLANTING AND BRACING TREES

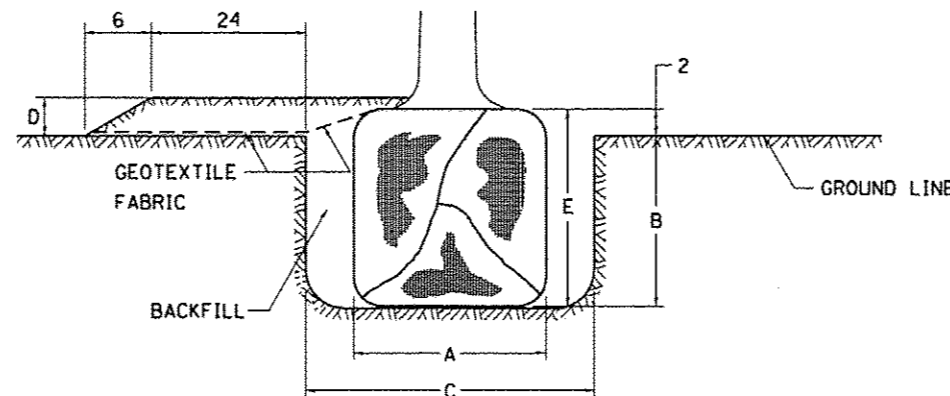


TREES SMALLER THAN 4 1/2 IN DIAMETER

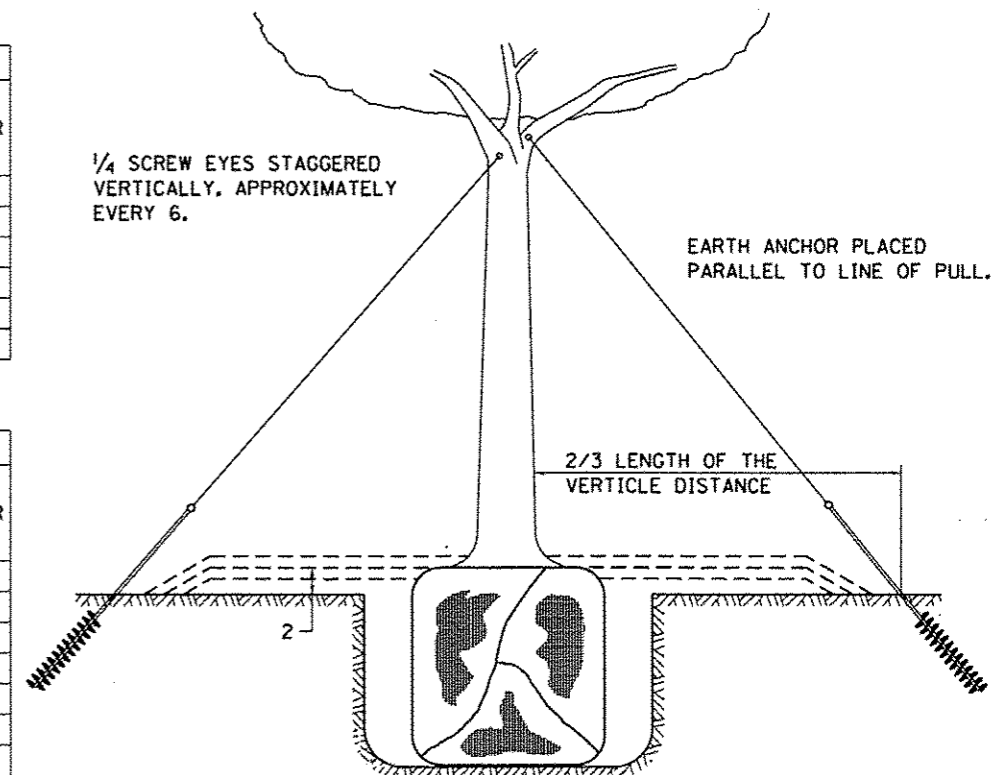


SMALL	A	B	C	D	E	F
TREE SIZE	DIAMETER OF BALL OR ROOT SYS.	DEPTH OF HOLE EXCAVATION	WIDTH OF HOLE EXCAVATION	THICKNESS OF MULCH COVER	DEPTH OF BALL OR ROOT SYS.	VOLUME OF MULCH COVER CU. YDS.
5'-6'	16	10	30	4	12	0.54
5'-6' BB	16	10	30	4	12	0.54
6'-7' BB	18	12	30	4	14	0.54
7'-8' BB	20	11	30	4	13	0.54
8'-10' BB	24	14	36	4	16	0.61
10'-12' BB	26	15	36	4	17	0.61

LARGE	A	B	C	D	E	F
TREE SIZE	DIAMETER OF BALL OR ROOT SYS.	DEPTH OF HOLE EXCAVATION	WIDTH OF HOLE EXCAVATION	THICKNESS OF MULCH COVER	DEPTH OF BALL OR ROOT SYS.	VOLUME OF MULCH COVER CU. YDS.
0-2	20	11	36	4	13	0.61
2-2 1/2 BB	24	14	48	4	16	0.78
2 1/2-3 BB	28	17	48	4	19	0.78
3-3 1/2 BB	32	17	60	4	19	0.96
3 1/2-4 BB	36	20	60	4	22	0.96
4-4 1/2 BB	40	22	72	4	24	1.16
4 1/2-5 BB	44	24	72	4	26	1.16
5-5 1/2 BB	48	27	84	4	29	1.38



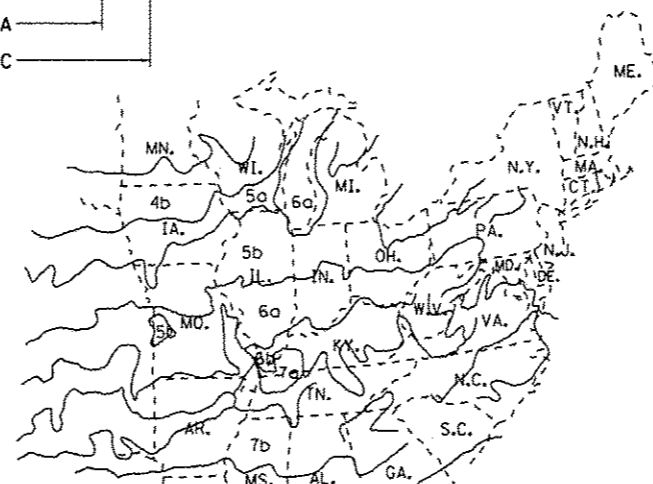
TREES OVER 4 1/2 IN DIAMETER



1/4 SCREW EYES STAGGERED VERTICALLY, APPROXIMATELY EVERY 6.

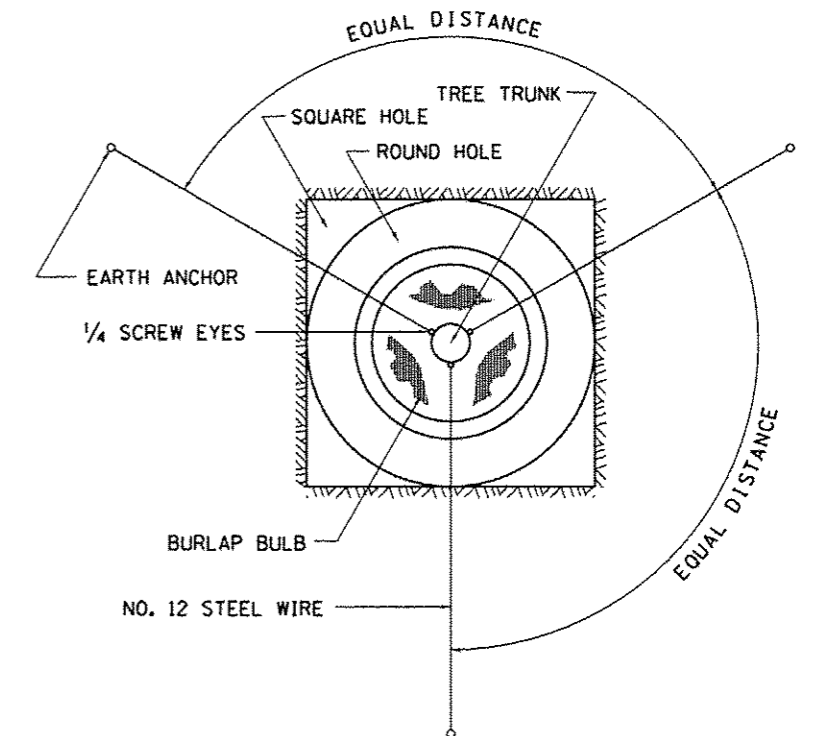
EARTH ANCHOR PLACED PARALLEL TO LINE OF PULL.

2/3 LENGTH OF THE VERTICLE DISTANCE



PLANT HARDINESS ZONE MAP

U.S. DEPARTMENT OF AGRICULTURE
AGRICULTURAL RESEARCH SERVICE
PUBLICATION NO. 814



ALL DIMENSIONS ARE IN INCHES UNLESS OTHERWISE NOTED.

FILE NAME *	USER NAME = cushmanbw	DESIGNED -	REVISED - 10-18-11	STATE OF ILLINOIS DEPARTMENT OF TRANSPORTATION	REGION 2 / DISTRICT 2 STANDARD	F.A.S. RTE.	SECTION	COUNTY	TOTAL SHEETS	SHEET NO.	
01\pwork\pwork\cushmanbw\d0169166\0248809-ahd-details.dgn		DRAWN -	REVISED -			226	3T & 3BR-1	HENRY	210	109	
PLOT SCALE = 20.0000' / in.		CHECKED -	REVISED -			CONTRACT NO. 64F25					
PLOT DATE = Fri Oct 19 13:18:02 2012		DATE -	REVISED -			FED. ROAD DIST. NO. ILLINOIS FED. AID PROJECT					