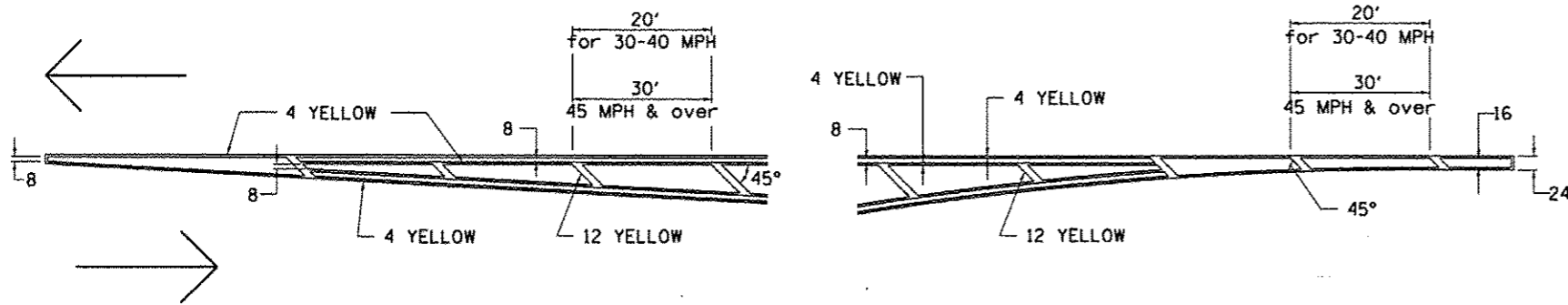
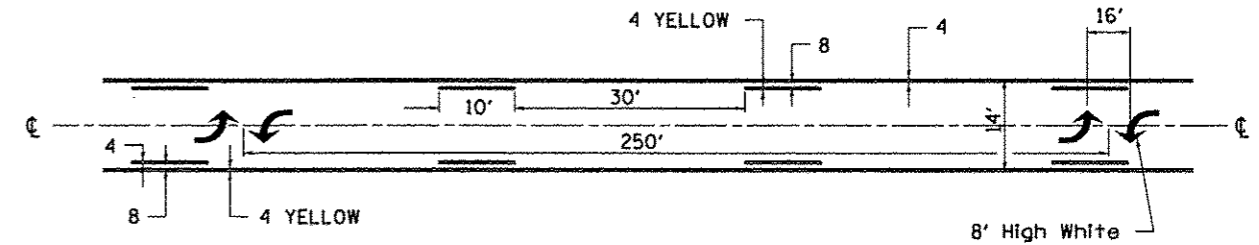


TYPICAL PAVEMENT MARKINGS

TYPICAL PAVEMENT MARKING FOR FLUSH MEDIAN AT LEFT TURN LANE

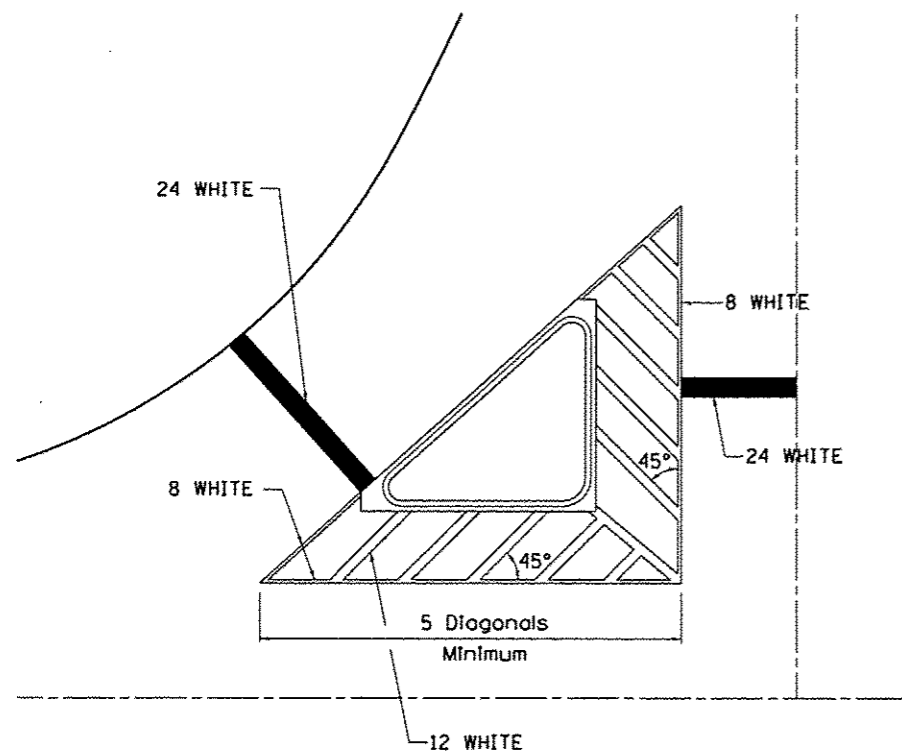


MEDIAN PAVEMENT MARKING

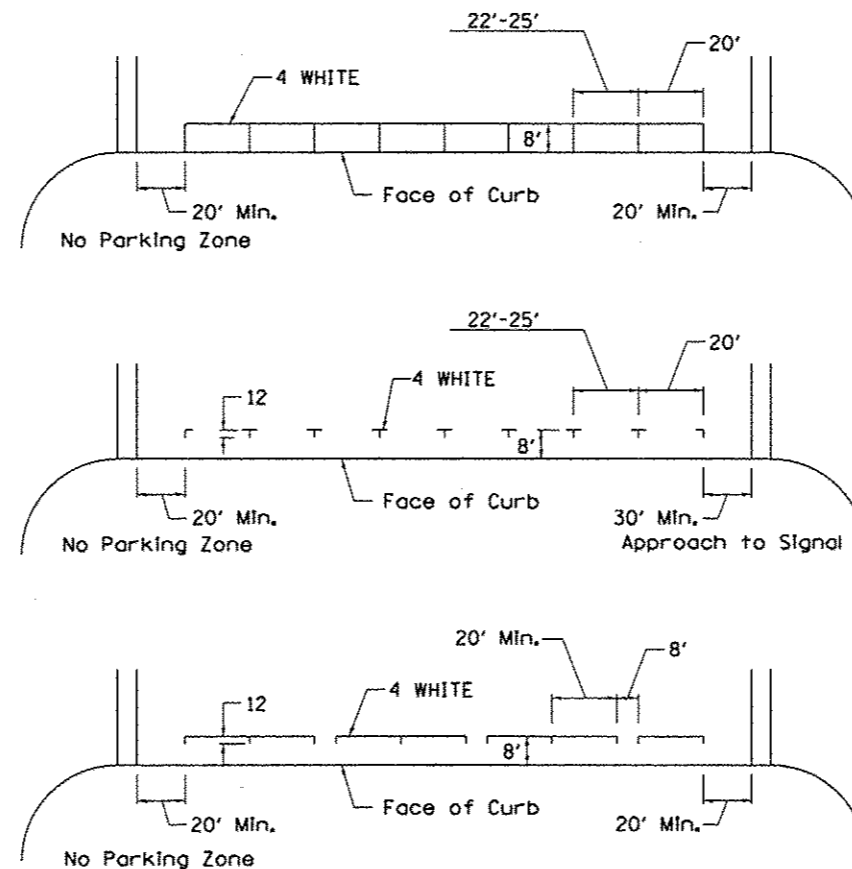


•• ALL DIMENSIONS ARE IN INCHES UNLESS OTHERWISE NOTED.

TYPICAL ISLAND OFFSET SHOULDER WIDTH

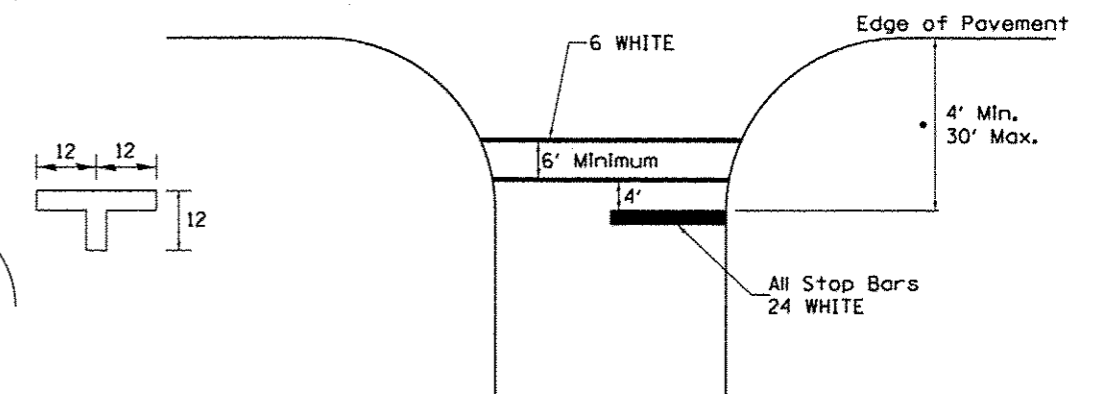


TYPICAL PARKING SPACING



STANDARD CROSSWALK MARKING

See Schedules for Locations



• Distance to the nearest edge of the intersecting roadway in the absence of a marked crosswalk.

FILE NAME :	USER NAME : cushmanbw	DESIGNED -	REVISED - 3-5-12	STATE OF ILLINOIS DEPARTMENT OF TRANSPORTATION	REGION 2 / DISTRICT 2 STANDARD		F.A.S. RTE.:	SECTION	COUNTY	TOTAL SHEETS	SHEET NO.
01\pwwork\pwwork\cushmanbw\d0169166\0248809-sht-detail.dgn	DRAWN -	REVISED -	226				3T & 3BR-1	HENRY	210	106	
PLOT SCALE : 20,0000' / in.	CHECKED -	REVISED -	CONTRACT NO. 64F25								
PLOT DATE : Fri Oct 19 13:16:40 2012	DATE -	REVISED -	FED. ROAD DIST. NO. ILLINOIS FED. AID PROJECT								
			SCALE:	SHEET NO. OF SHEETS STA. TO STA.							