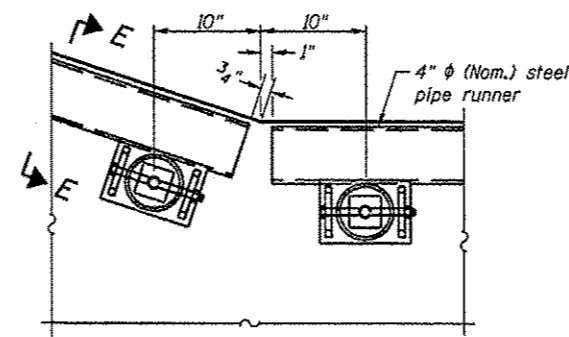
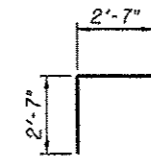


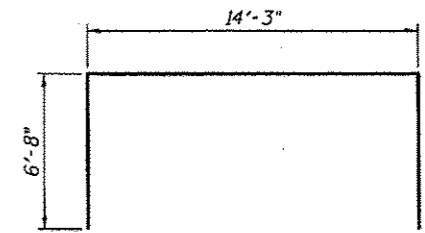
DETAIL A



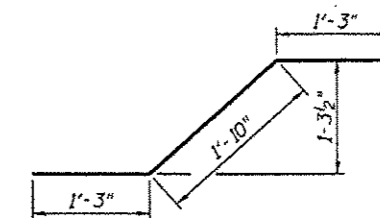
DETAIL B



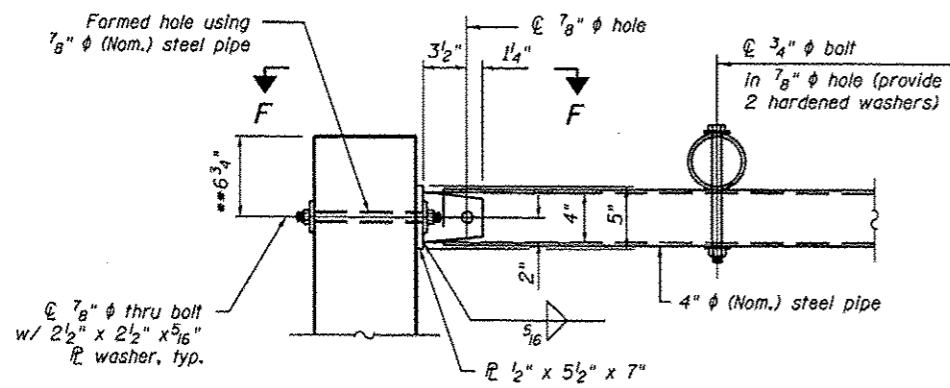
BAR d



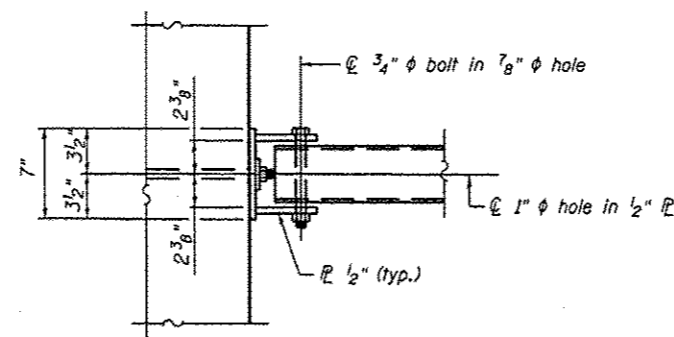
BAR u



BAR g

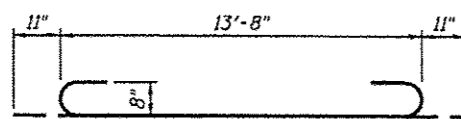


SECTION E-E

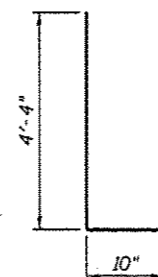


VIEW F-F

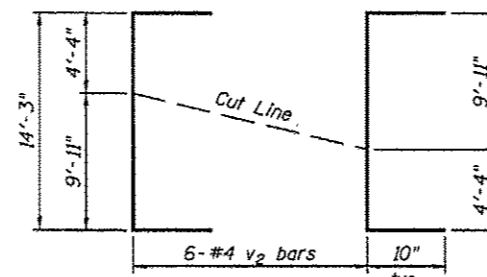
** Measured perpendicular to top of side wall. In addition, formed hole shall be located a minimum of 6" measured horizontally from any vertical joints necessary for construction of the drop box.



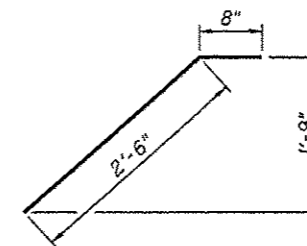
BAR a1



BAR v



BAR v2 CUTTING DIAGRAM



BAR h3

BILL OF MATERIAL
(For Information Only)

Bar No.	Size	Length	Shape
a ₁	#7	15'-6"	—
a ₂	#5	13'-8"	—
d	#5	5'-2"	Γ
f	#6	15'-1"	—
f ₁	#5	11'-2"	—
g	#5	4'-4"	—
h	#5	34'-0"	—
h ₁	#5	21'-4"	—
h ₂	#5	13'-8"	—
h ₃	#4	3'-2"	—
h ₄	#5	22'-0"	—
u	#5	27'-7"	—
v	#5	5'-2"	—
v ₁	#5	4'-4"	—
v ₂	#5	15'-11"	—
v ₃	#5	14'-3"	—
Concrete Structures			Cu. Yd. 36.5
Reinforcement Bars			Pound 7,800
4" Galv. Steel Pipe			5 @ 5'-9"
			5 @ 11'-9"
1/4" Galv. Steel Bolts			Each 25
Side Assembly			Each 20

** Included in Drop Box, No. 1

** Included in Traversable Pipe Grates with all hardware and steel for Assemblies

\\argreen\desks\CAD\193228\11\CAD_Sheets\64F25_Details\1-2.dgn



USER NAME = STLCDesign-consultant	DESIGNED = KJB	REVISED =
PLOT SCALE = NTS	CHECKED = DFM	REVISED =
PLOT DATE = 10/11/2012	DRAWN = KJB	REVISED =
	CHECKED = DFM	REVISED =

STATE OF ILLINOIS
DEPARTMENT OF TRANSPORTATION

DETAILS 2
DROP BOX NO. 1

SHEET NO. 5-3 OF 5-3 SHEETS

F.A.S. RTE. 226	SECTION (3T&3)BR-1	COUNTY HENRY	TOTAL SHEETS 210	SHEET NO. 65
			CONTRACT NO. 64F25	
ILLINOIS FED. AID PROJECT				