

**PILE DATA - PIER 1**

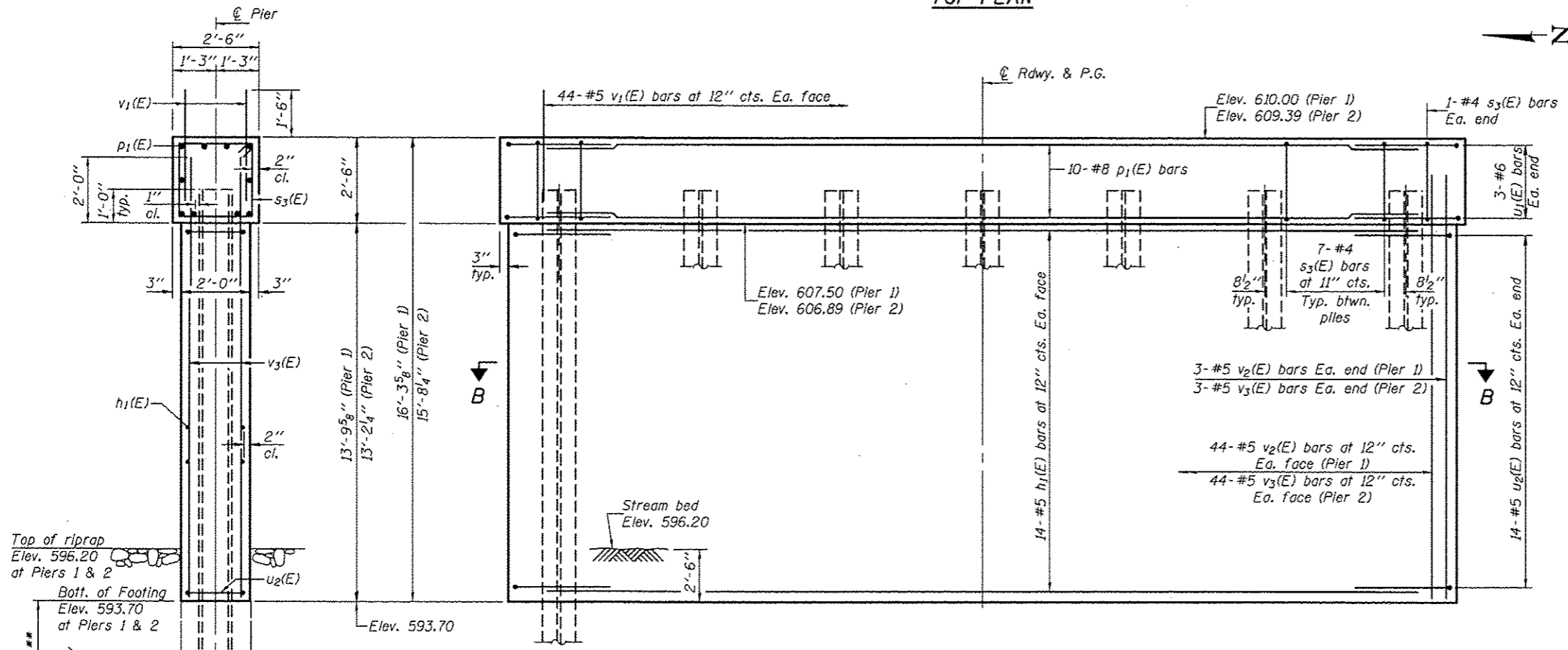
Type: Steel HP12x63  
 Nominal Required Bearing: Set in Rock  
 Factored Resistance Available: 480 Kips  
 Est. Length: 44'  
 No. Production Piles: 7  
 No. Test Piles: 0  
 Est. Top of Rock Elev.: 580.00  
 Rock Socket Depth: 15'-0"  
 Rock Socket Diameter: 2'-0"

**PILE DATA - PIER 2**

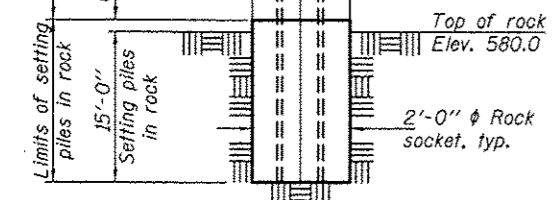
Type: Steel HP12x63  
 Nominal Required Bearing: Set in Rock  
 Factored Resistance Available: 480 Kips  
 Est. Length: 43'  
 No. Production Piles: 7  
 No. Test Piles: 0  
 Est. Top of Rock Elev.: 580.00  
 Rock Socket Depth: 15'-0"  
 Rock Socket Diameter: 2'-0"

**PIERS 1 & 2  
 BILL OF MATERIAL**

Bar	No.	Size	Length	Shape
h1(E)	56	#5	43'-2"	—
p1(E)	20	#8	43'-2"	—
s3(E)	88	#5	9'-5"	□
u1(E)	12	#6	9'-5"	⌒
u2(E)	56	#5	7'-10"	⌒
v(E)	176	#5	3'-0"	—
v2(E)	94	#5	15'-6"	—
v3(E)	94	#5	14'-11"	—
Cofferdam Excavation	Cu. Yd.		54.0	
Concrete Structures	Cu. Yd.		110.3	
Reinforcement Bars, Epoxy Coated	Pound		9850	
Furnishing Steel Piles HP12x63	Foot		609	
Setting Piles in Rock	Each		14	
Cofferdam (Type 1), Location 1	Each		1	
Cofferdam (Type 1), Location 2	Each		1	

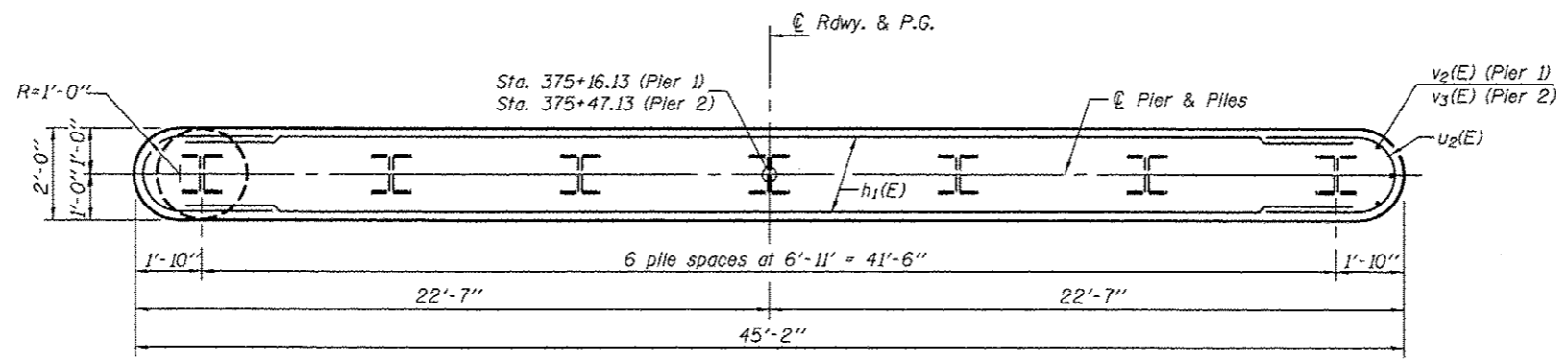


**ELEVATION**  
 (Looking East)



**END VIEW**

\*\*Backfill remaining holes with Class SI Concrete or Porous granular Embankment. Cost is included with Setting Piles in Rock.



**SECTION B-B**

DESIGNED - FESSEHA TEKLEHAIMANOT	EXAMINED - <i>James F. [Signature]</i>	DATE - December 4, 2012
CHECKED - STEPHEN M. RYAN	PASSED - <i>Carl [Signature]</i>	
DRAWN - h.t. duong		
CHECKED - GRA/FT		

**STATE OF ILLINOIS  
 DEPARTMENT OF TRANSPORTATION**

**PIERS 1 & 2  
 STRUCTURE NO. 037-0178**

SHEET NO. 13 OF 15 SHEETS

F.A.S. RTE. 226	SECTION 3T & 3BR-1	COUNTY HENRY	TOTAL SHEETS 210	SHEET NO. 54
CONTRACT NO. 64F25			ILLINOIS FED. AID PROJECT	