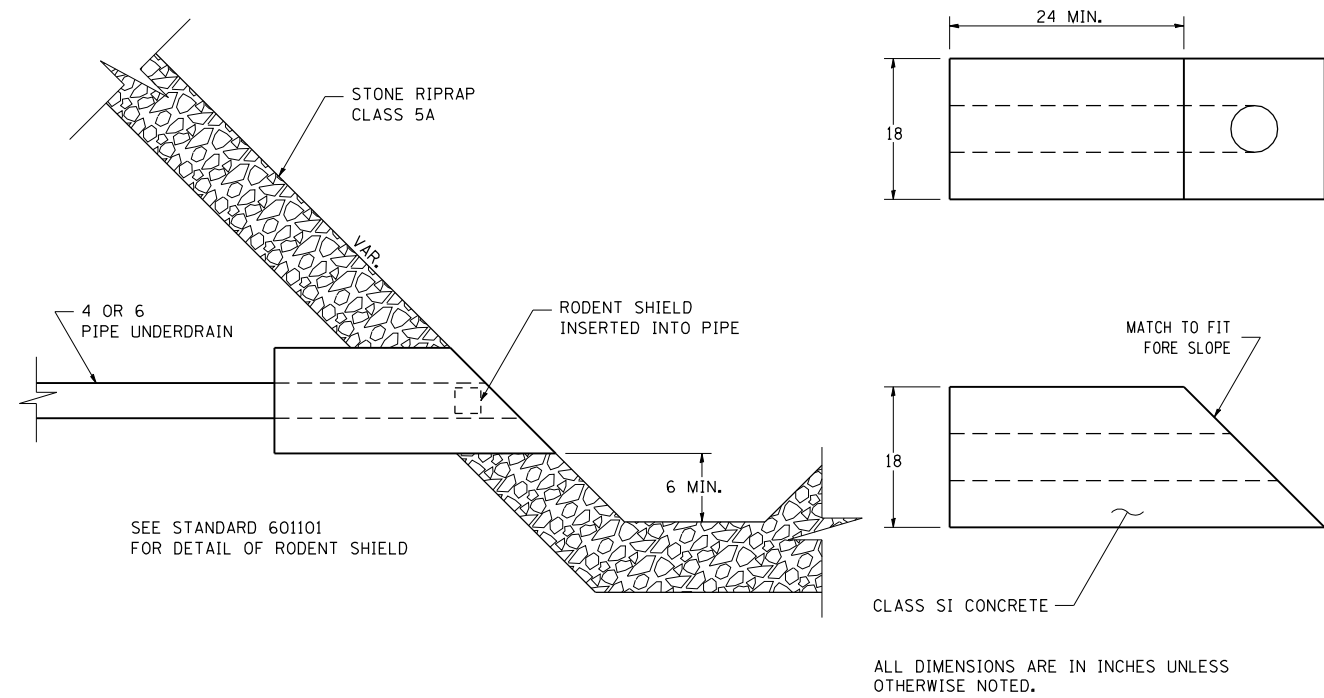


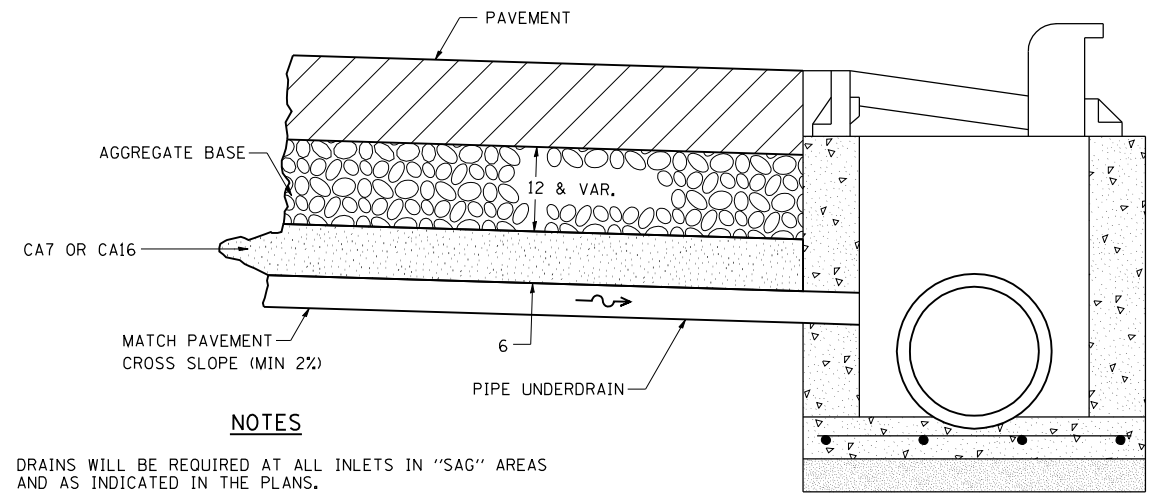
# CONCRETE HEADWALLS FOR PIPE DRAINS



REVISED - 10-03-11

**CONCRETE HEADWALLS FOR PIPE DRAINS 27.4**

# DRAIN FOR AGGREGATE BASES IN URBAN AREAS



### NOTES

DRAINS WILL BE REQUIRED AT ALL INLETS IN "SAG" AREAS AND AS INDICATED IN THE PLANS.

THIS WORK SHALL BE COMPLETED ACCORDING TO SECTION 601 OF THE STANDARD SPECIFICATIONS.

THIS WORK WILL BE PAID FOR AT THE CONTRACT UNIT PRICE PER FOOT FOR PIPE UNDERDRAINS OF THE DIAMETER SPECIFIED WHICH PRICE SHALL INCLUDE THE CA7 OR CA16 AND THE CONNECTION TO THE INLET.

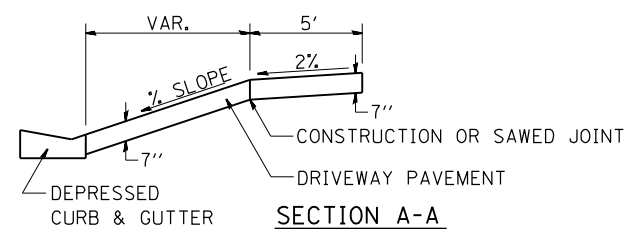
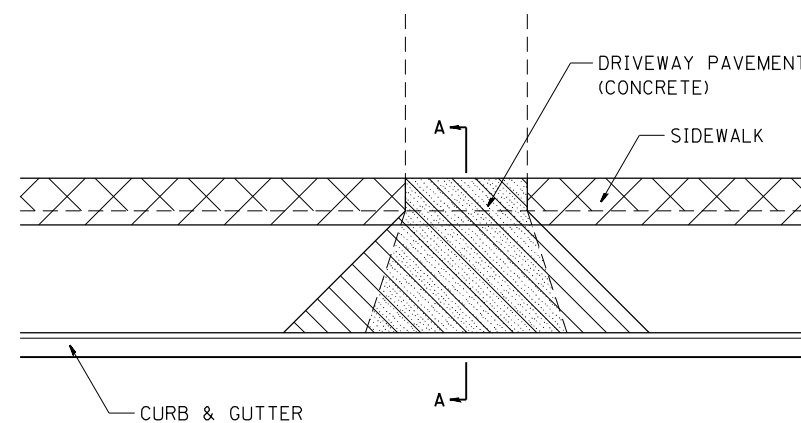
ALL DIMENSIONS ARE IN INCHES UNLESS OTHERWISE NOTED.

REVISED - 10-05-11

**DRAIN FOR AGGREGATE BASES IN URBAN AREAS 88.4**

# SIDEWALK AND DRIVEWAY PAVEMENT PAY AREAS

- PAY FOR AS
- SIDEWALK REMOVAL
  - DRIVEWAY PAVEMENT REMOVAL
  - PCC SIDEWALK 5
  - PCC DRIVEWAY PAVEMENT 7



FOR DETAILS ON DIMENSIONS AND GRADES, SEE DISTRICT STANDARD 25.1 OR PLANS.

ALL DIMENSIONS ARE IN INCHES UNLESS OTHERWISE NOTED.

REVISED - 10-03-11

**SIDEWALK AND DRIVEWAY PAVEMENT PAY AREAS 35.4**

# STOP LINE SIGN FOR TEMPORARY SIGNALS



SIZE: 24 x 24

4 CAPITAL LETTERS - BLACK

1/2 BORDER - BLACK

WHITE REFLECTIVE - TYPE AP HIGH INTENSITY PRISMATIC SHEETING

### GENERAL NOTE:

THIS SIGN SHALL BE INSTALLED AT THE STOP LINE AS DIRECTED BY ENGINEER.

ALL DIMENSIONS ARE IN INCHES UNLESS OTHERWISE NOTED.

REVISED - 10-11-11  
 REVISED -  
 REVISED -  
 REVISED -

### REGION 2 / DISTRICT 2 STANDARD

SCALE: 102.3636 1/4" = 1' SHEET NO. 1 OF 12 SHEETS STA. TO STA.

F.A.P. RTE.	SECTION	COUNTY	TOTAL SHEETS	SHEET NO.
308	103BR-4	JO DAVIESS	159	149
FED. ROAD DIST. NO. ILLINOIS FED. AID PROJECT			CONTRACT NO. 64E08	

**STOP LINE SIGN FOR TEMPORARY SIGNALS 99.4**

PLOT DATE = 8/5/2013