

PAY WIDTH:

4.17'	FOR 12"
3.97'	FOR 10"
3.78'	FOR 8"
3.58'	FOR 6"
3.58'	FOR 4"

PAY WIDTH:

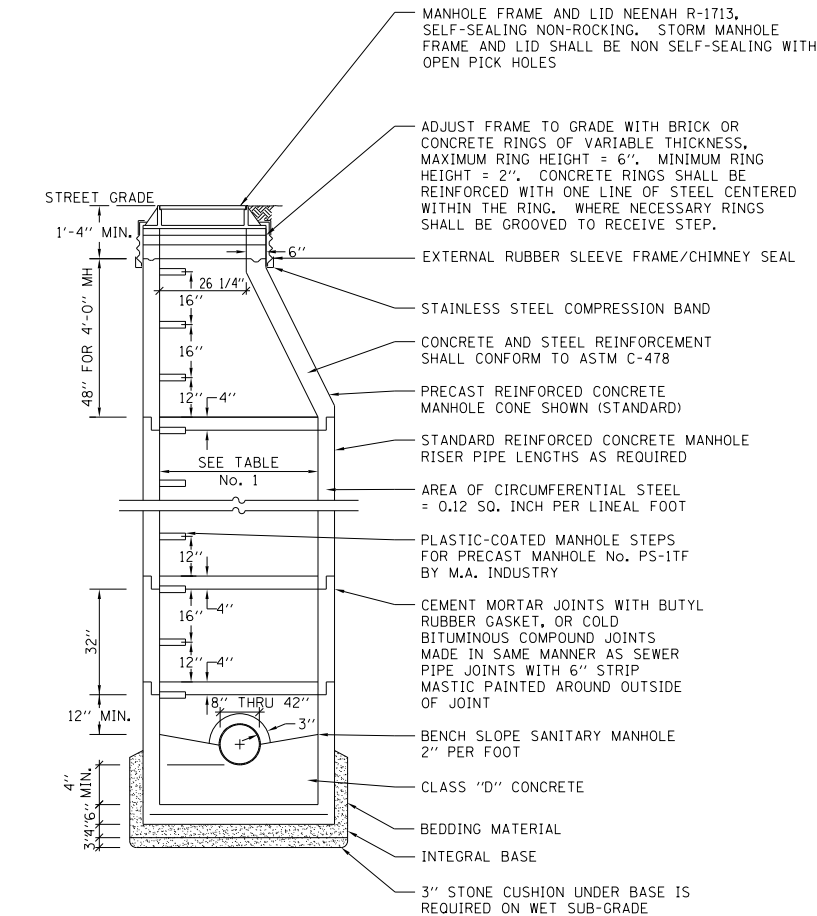
4.56'	FOR 16"
4.17'	FOR 12"
3.97'	FOR 10"
3.78'	FOR 8"
3.58'	FOR 6"
3.58'	FOR 4"

NOTE: EXCAVATION SHALL BE PER OSHA STANDARDS PUBLICATION 2226.

MAX. PAVEMENT WIDTH FOR PAY PURPOSES IS CALCULATED BASED ON MINIMUM OSHA STANDARD.

IF SOIL CONDITIONS AND TRENCH DEPTH REQUIRE TRENCH WIDTH BEYOND LIMITS SHOWN IN THIS DETAIL, QUANTITIES FOR TRENCH BACKFILL AND PAVEMENT REPLACEMENT MAY BE INCREASED WITH THE APPROVAL OF THE ENGINEER.

TRENCH CONSTRUCTION & PAVEMENT REPLACEMENT
N.T.S.



NOTE: TYPE I FRAME/ CHIMNEY JOINT REQUIRED ON ALL SANITARY MANHOLES UNLESS OTHERWISE SPECIFIED. TYPE III JOINT REQUIRED IN ALL STORM MANHOLES

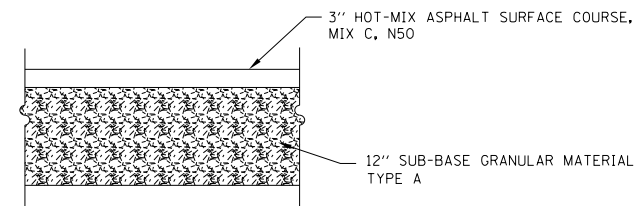
TABLE No. 1

PIPE DIA.	MH DIA.	WALL THICKNESS
8" THRU 30"	4'-0"	5"
36"	5'-0"	6"
42"	6'-0"	7"

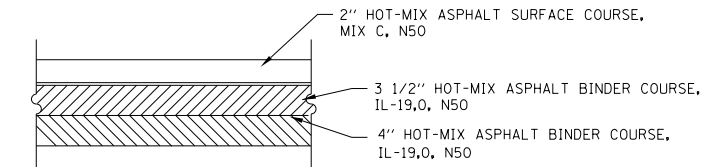
PRECAST MANHOLE
N.T.S.

SANITARY SEWER TRENCH SECTION IN PAVED AREAS AND DRIVEWAYS
N.T.S.

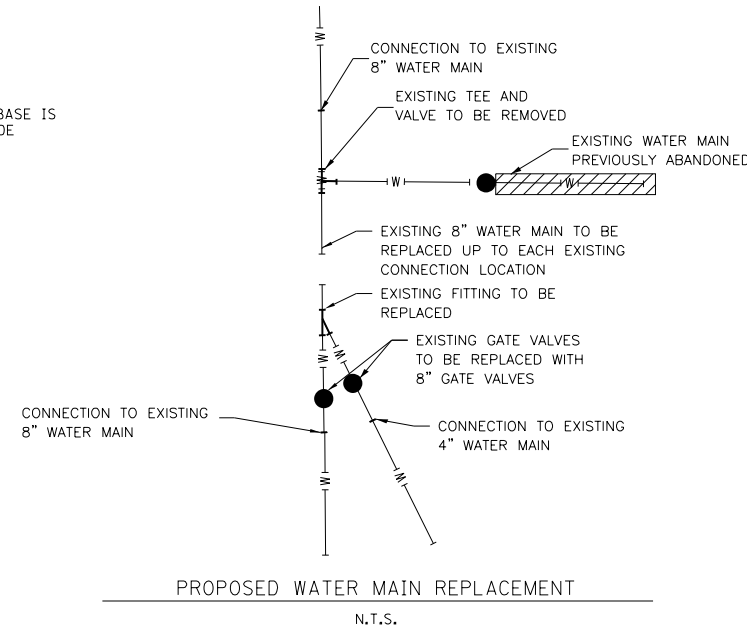
SANITARY SEWER MAIN TRENCH SECTION IN GRASSED AREAS
N.T.S.



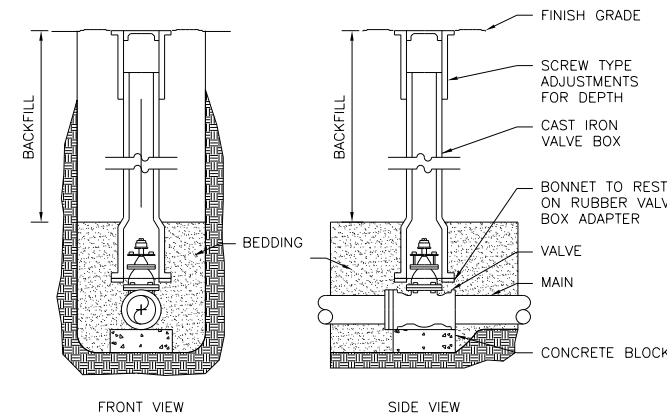
TEMPORARY PAVEMENT
N.T.S.



HMA PAVEMENT (FULL-DEPTH) STATION 9+80.00-10+19.00
N.T.S.

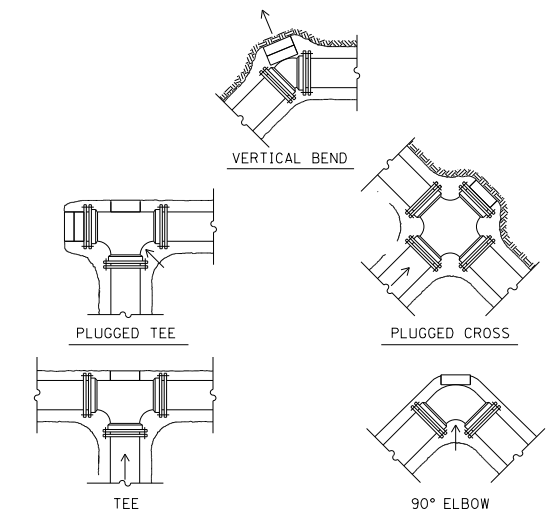


PROPOSED WATER MAIN REPLACEMENT
N.T.S.



NOTES:
VALVE AND BOX SHALL INCLUDE VALVE, VALVE BOX, BLOCKING AND ANY ADJUSTMENTS NEEDED TO MATCH FINISH GRADE. THIS WILL BE PAID FOR AT THE CONTRACT UNIT PRICE PER EACH FOR THE TYPE OF VALVE AND BOX AS INDICATED ON THE PLANS.

VALVE & BOX INSTALLATION
N.T.S.



NOTES:
ALL BLOCKS BEAR AGAINST UNDISTURBED EARTH. ARROWS INDICATE DIRECTION OF THRUST. ALL BLOCKS TO BE 3000 PSI CONCRETE. ALL FITTINGS SHOWN IN PLAN VIEW EXCEPT VERTICAL BEND.

THRUST BLOCK INSTALLATION
N.T.S.

FILE NAME: G:\Information\2012\12-159A\CADD Drawings\12-159A - Deton.dgn