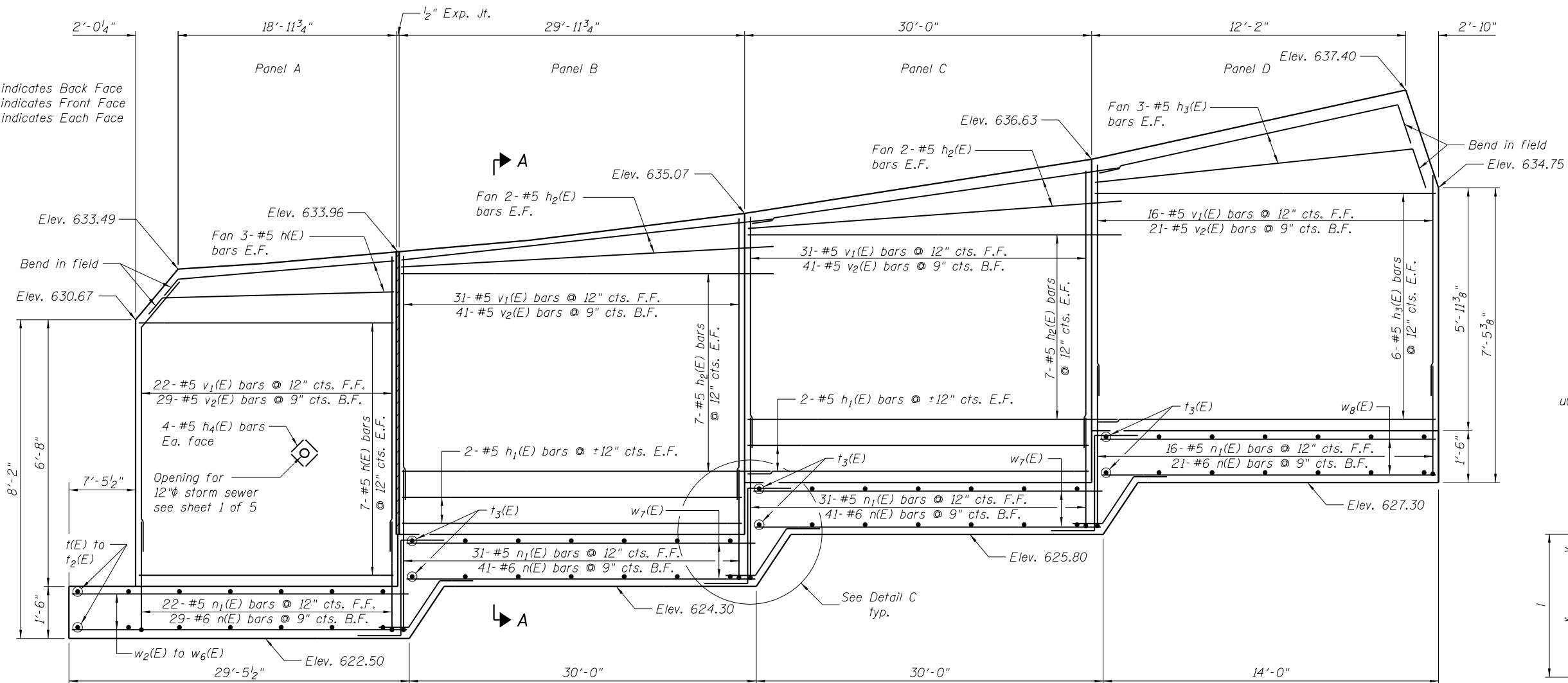
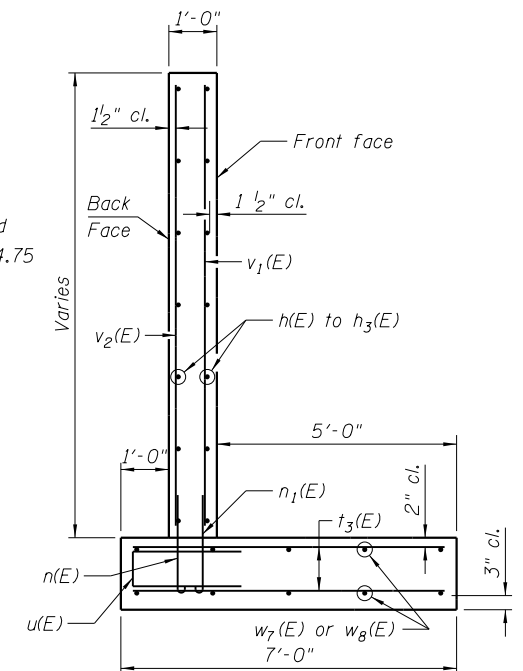


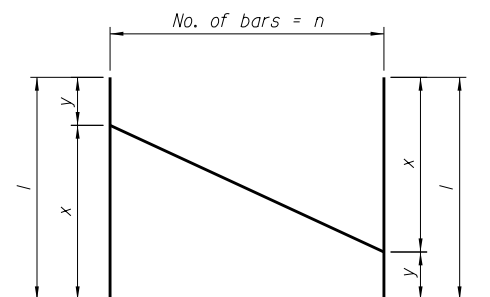
NOTE:
 B.F. indicates Back Face
 F.F. indicates Front Face
 E.F. indicates Each Face



ELEVATION



SECTION AA

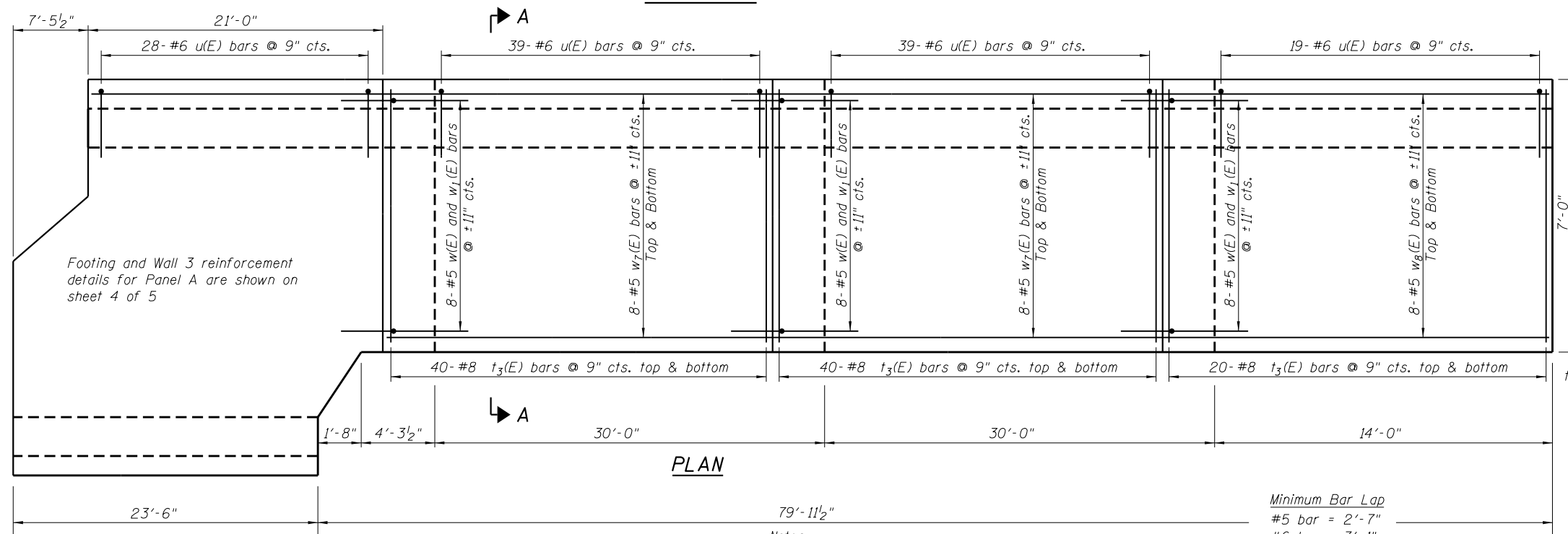


BAR CUTTING DIAGRAM

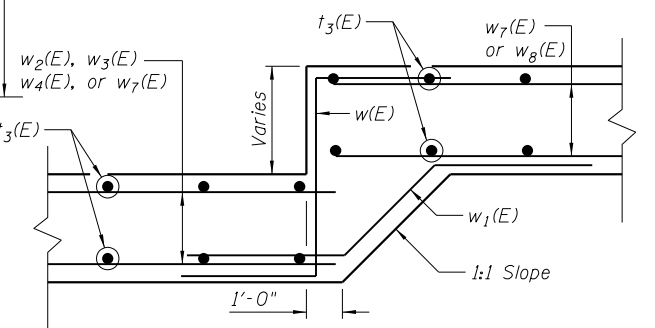
BAR CUTTING DIMENSIONS

BAR	n	x	y	l
t ₁ (E)	10	7'-0"	5'-3"	12'-3"
t ₂ (E)	3	8'-3"	7'-0"	15'-3"
w ₃ (E)	2	29'-0"	22'-0"	51'-0"
w ₅ (E)	2	24'-9"	23'-0"	47'-9"

* Order bars full length. Cut to fit as shown and use the remainder on the opposite face.



PLAN



DETAIL C

Notes:
 1. For Bar Details & Bill of Material see sheet 4 of 5

Minimum Bar Lap
 #5 bar = 2'-7"
 #6 bar = 3'-1"

FILE NAME = Z64E08-003-Rev Wall2.dgn
 MODEL = Default
 PLOT DRIVER = VBA_IIDOT_PDF_11x17.pltcf9



USER NAME = S.Dulakis	DESIGNED -	REVISD
PLOT SCALE = 1/8" = 1'-0"	CHECKED -	REVISD
PLOT DATE = 7/25/2013	DRAWN -	REVISD
	CHECKED -	REVISD

STATE OF ILLINOIS
 DEPARTMENT OF TRANSPORTATION

RETAINING WALL #2 - DETAILS
 RETAINING WALLS #2 & #3

SHEET NO. 3 OF 5 SHEETS

F.A.P. RTE.	SECTION	COUNTY	TOTAL SHEETS	SHEET NO.
308	103BR-4	JO DAVIESS	159	120
CONTRACT NO. 64E08				

ILLINOIS FED. AID PROJECT