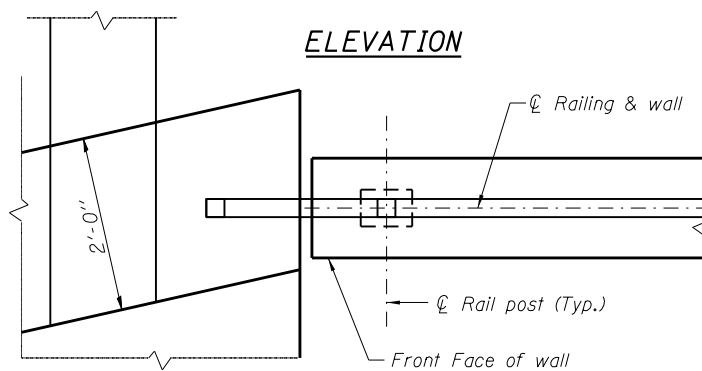
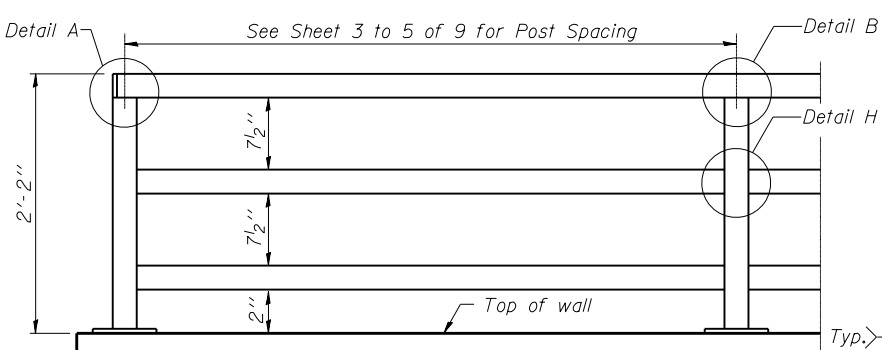


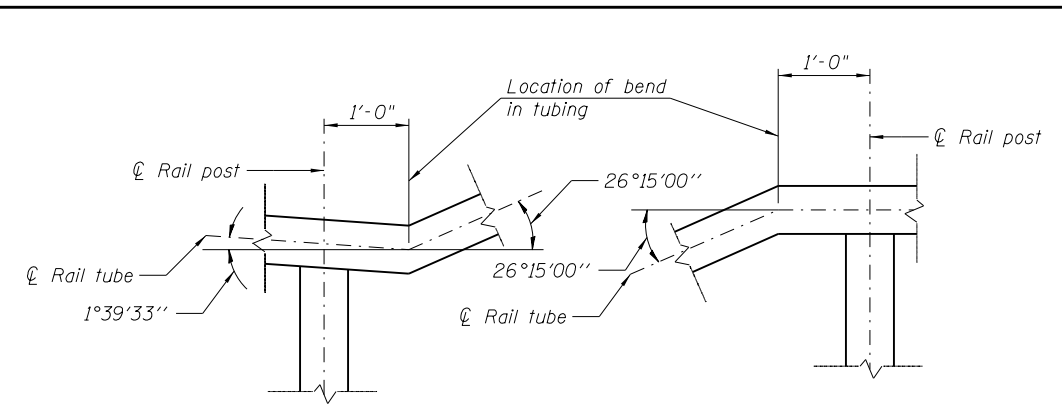
**ELEVATION**



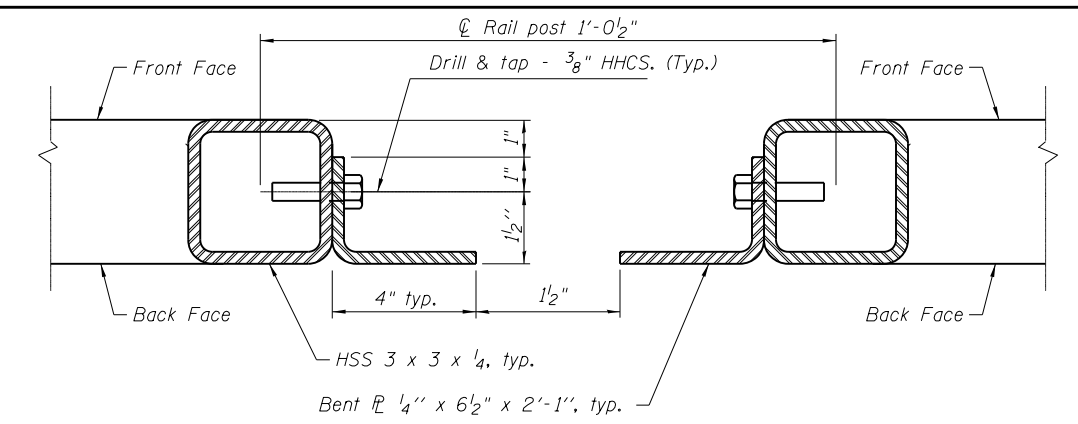
**PLAN**



**PARAPET RAILING ELEVATION**  
(Inside Face of Three Element Rail)



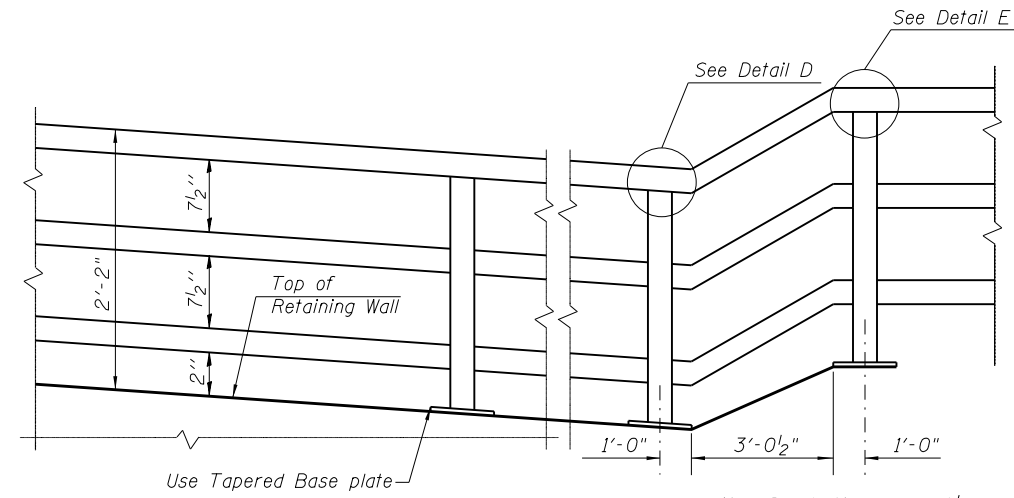
**DETAIL D**      **DETAIL E**



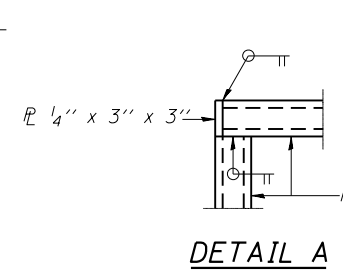
**DETAIL A**

**DETAIL B**

**DETAIL H**

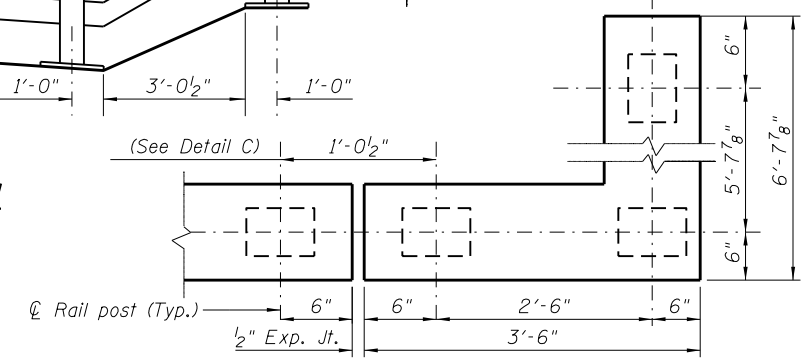


**RETAINING WALL RAILING ELEVATION**  
(Inclined top of wall)

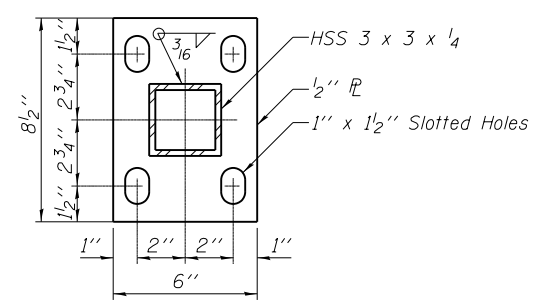


**DETAIL C**

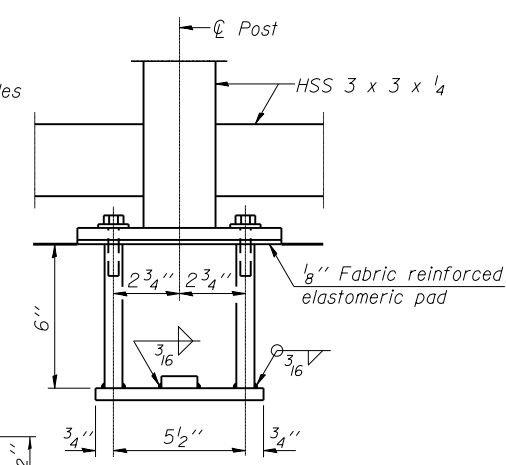
**DETAIL B**



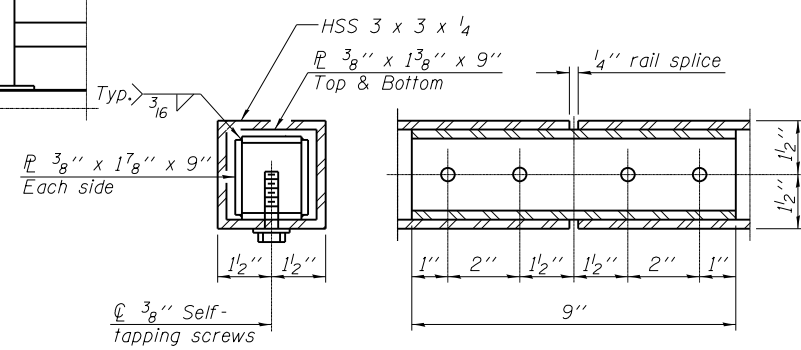
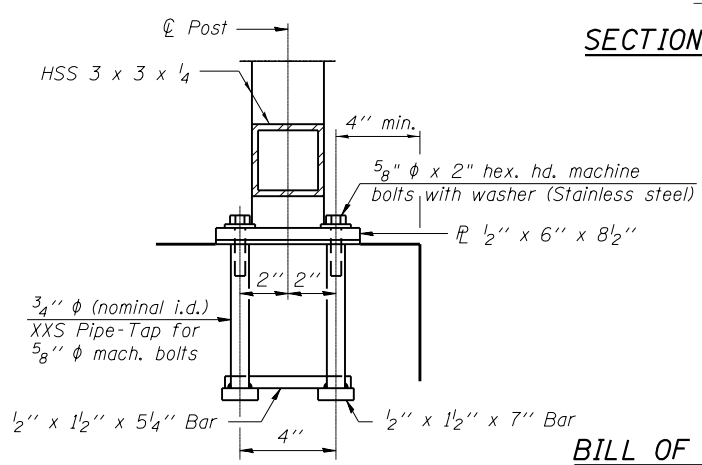
**SECTION THRU PARAPET**



**BASE PLATE**



**ANCHOR BOLT DETAILS**



**RAIL SPLICE**

**BILL OF MATERIAL**

Item	Unit	Quantity
Parapet Railing	Foot	45

In lieu of the cast-in-place anchor device shown, the Contractor has the option of drilling and setting 5/8" diameter anchor rods according to Article 509.06 of the Standard Specifications. Embedment shall be according to the manufacturer's specifications.

NOTE: All steel railing elements shall be galvanized according to article 509.05 of the Standard Specifications.

HHCS designates Hexagonal head cap screws  
HHS designates hollow structural section.

FILE NAME = Z64E08-00E-Railing.dgn  
MODEL = Default  
PLOT DRIVER = V8...IDOT...PDF...11x17.plt



USER NAME =	DESIGNED -	REVISED
PLOT SCALE =	CHECKED -	REVISED
PLOT DATE =	DRAWN -	REVISED
	CHECKED -	REVISED

**STATE OF ILLINOIS**  
**DEPARTMENT OF TRANSPORTATION**

**PARAPET RAILING**  
**RETAINING WALL #1**

SHEET NO. 6 OF 7 SHEETS

F.A.P. RTE.	SECTION	COUNTY	TOTAL SHEETS	SHEET NO.
308	103BR-4	JO DAVIESS	159	116

CONTRACT NO. 64E08  
ILLINOIS FED. AID PROJECT