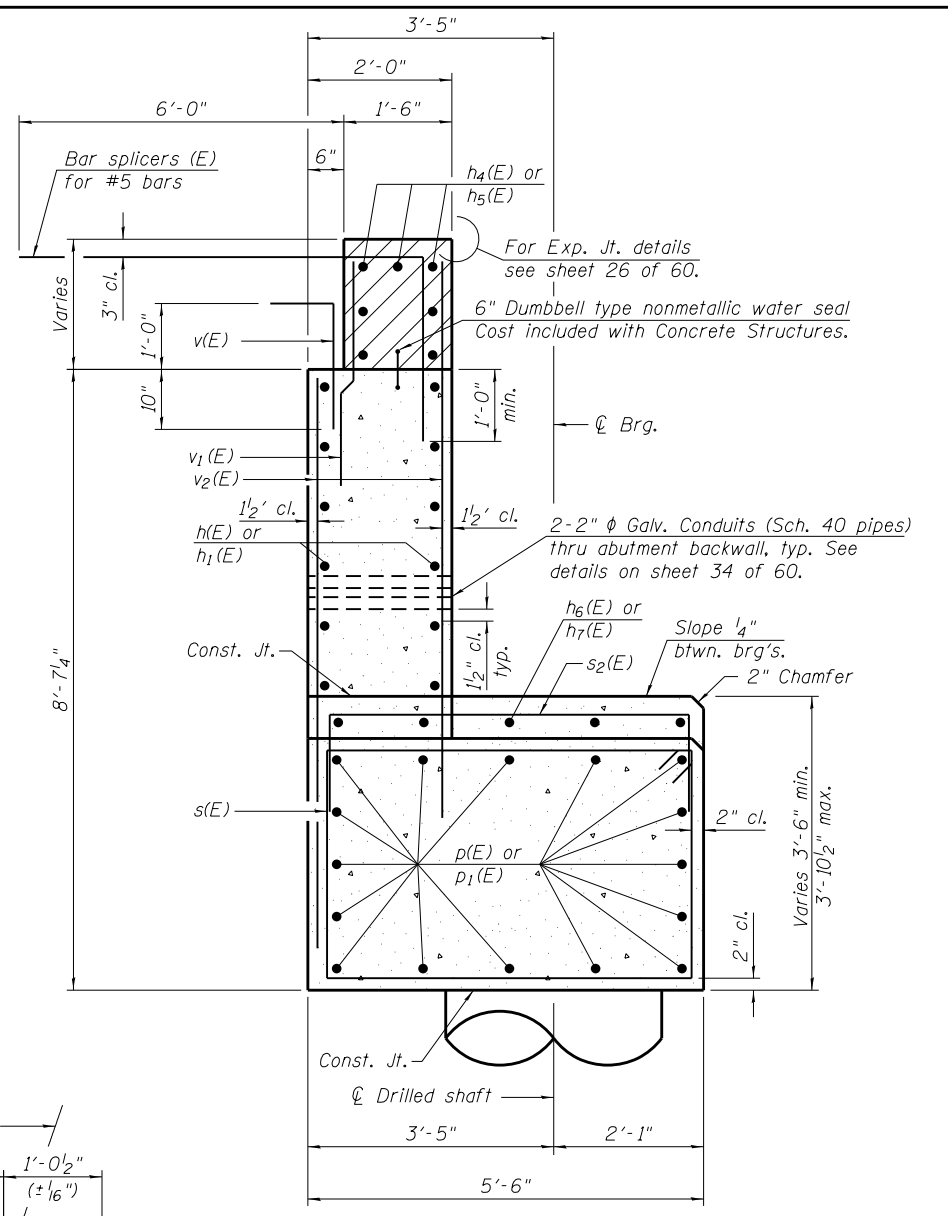


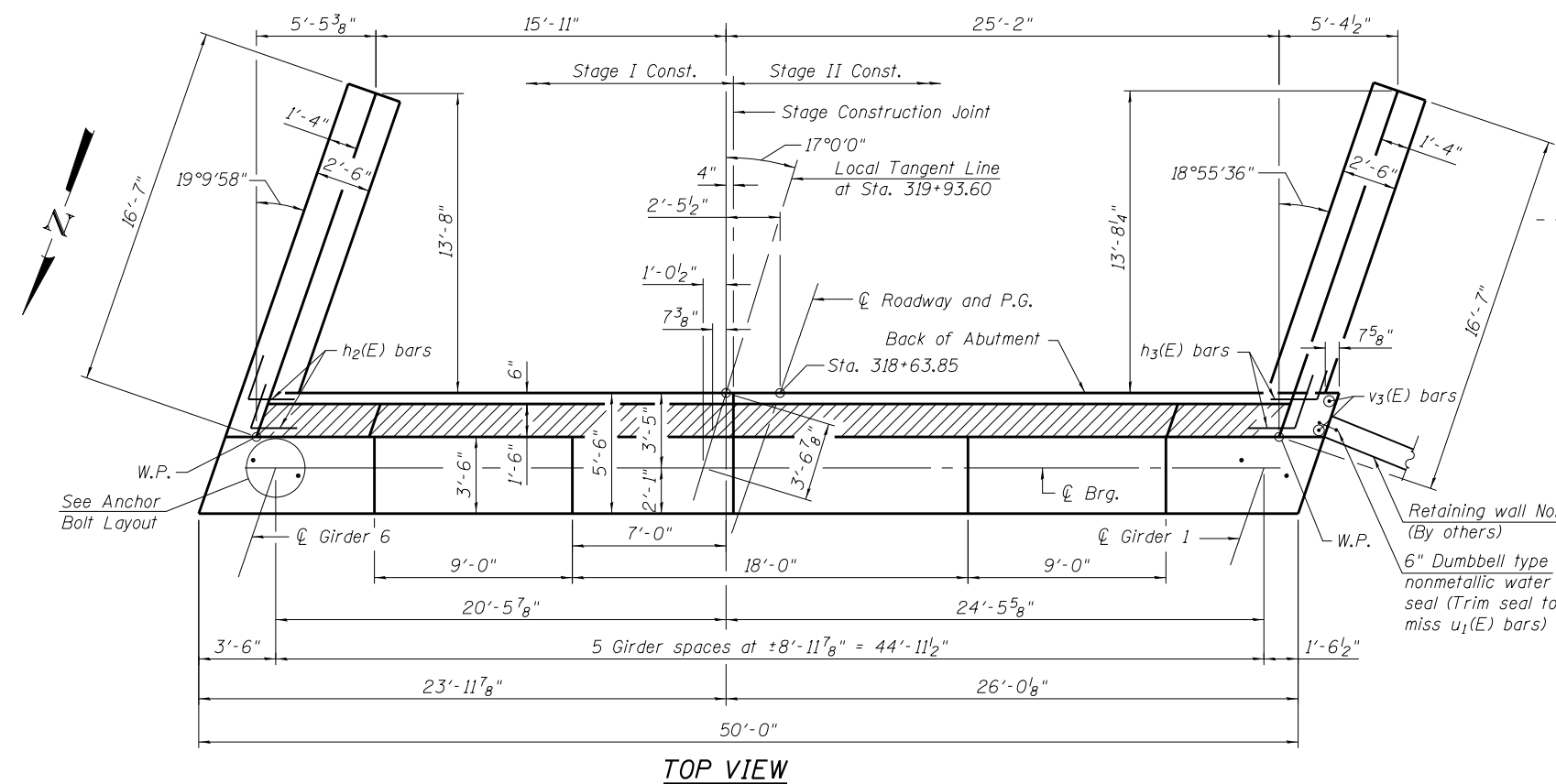
**ELEVATION**

\* Elevations taken at the front face of the abutment backwall.

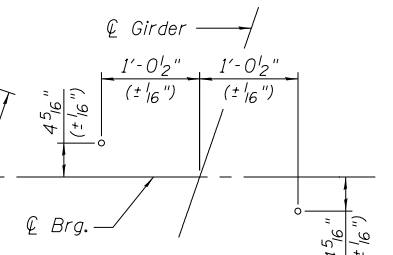
**Notes:**  
 For details of Bar Splicers, see sheet 39 of 60.  
 Space reinforcement in cap to miss anchor bolts.  
 Hatched area to be poured after superstructure false work has been removed. Quantity of concrete included with Concrete Superstructure.  
 Pour steps monolithically with cap.  
 For drilled shaft details, see sheet 34 of 60.  
 Concrete sealer shall be applied to the bearing seats and front faces of the hatched block, backwall, and abutment cap.



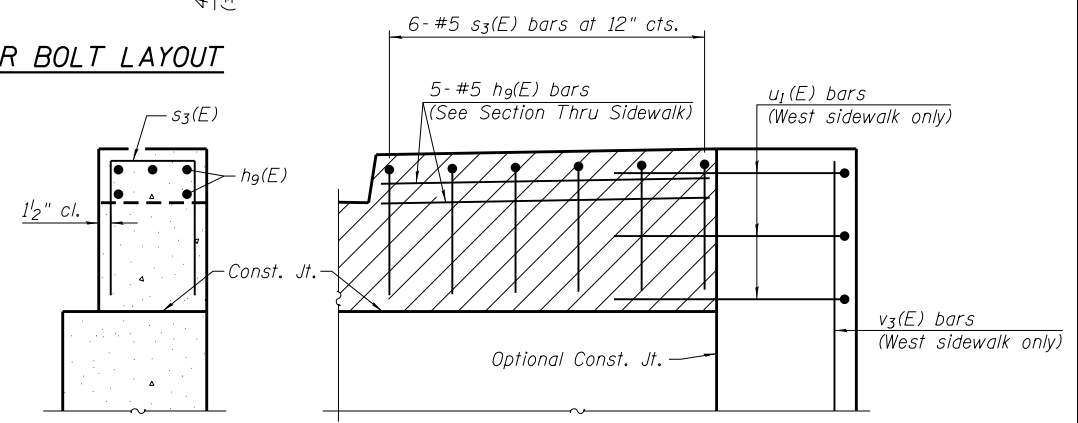
**SECTION THRU ABUT.**



**TOP VIEW**



**ANCHOR BOLT LAYOUT**



**SECTION THRU SIDEWALK**

**SIDEWALK ELEVATION**

(West sidewalk shown. East sidewalk similar except as noted.)  
 (See section thru abutment for reinforcement not shown.)