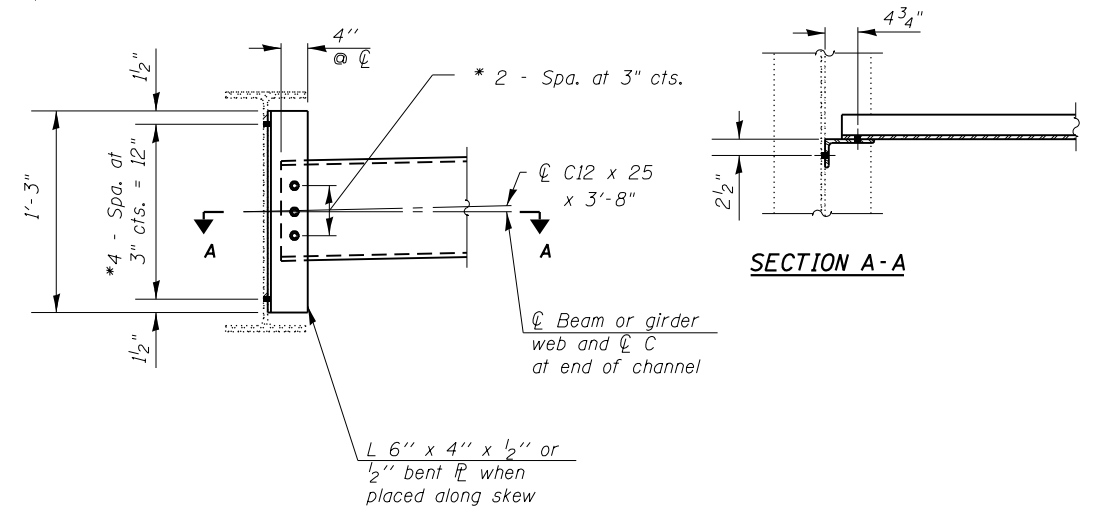


SEE SHEET 12 OF 13 FOR
STRUCTURAL STEEL REPAIR - DETAIL A



INTERIOR DIAPHRAGM D

3 Required

Note:
Two hardened washers required for each set of oversized holes.

* 3/4" φ HS bolts, 1 5/16" φ holes
Field drill holes in existing beam's web using angle as template

Notes:

Cost of furnishing and installing plates and angles included with Structural Steel Repair.

New Diaphragms and clip angles are included with Furnishing and Erecting Structural Steel.

PLAN

DESIGNED RAD	EXAMINED	DATE
CHECKED RB	ENGINEER OF STRUCTURAL SERVICES	
DRAWN RAD	PASSED	REVISED
CHECKED JAM	ENGINEER OF BRIDGES AND STRUCTURES	REVISED

STATE OF ILLINOIS
DEPARTMENT OF TRANSPORTATION

IL RTE 83 AT SALT CREEK
STEEL REPAIR DETAILS (S.N. 022-0045)

F.A.P. RTE.	SECTION	COUNTY	TOTAL SHEETS	SHEET NO.
344	543-X-B-1-2	DUPAGE	31	14
CONTRACT NO. 60T76				
ILLINOIS FED. AID PROJECT				