

STATE OF ILLINOIS
DEPARTMENT OF TRANSPORTATION

ROUTE NO.	SECTION	COUNTY	TOTAL SHEETS	SHEET NO.
F.A.P. 607	129BR	KENDALL	61	17
FED. ROAD DIST. NO.	ILLINOIS	FED. AID PROJECT		

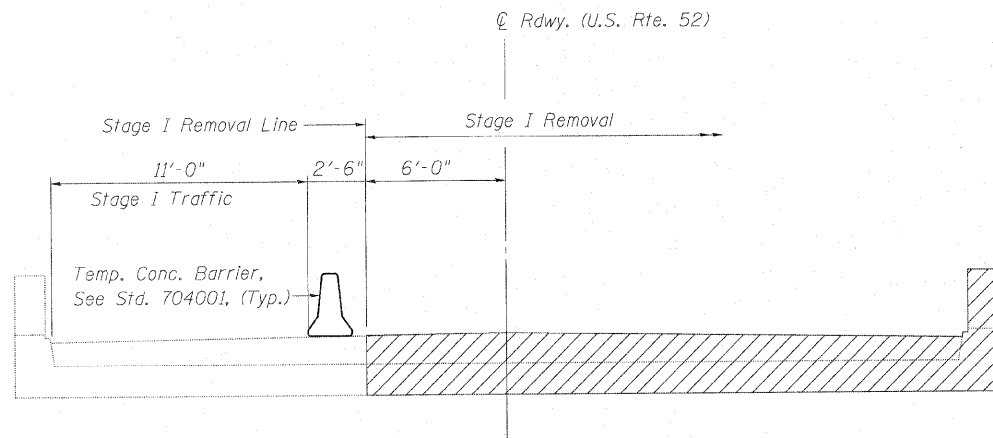
SHEET NO. 2
16 SHEETS

Contract #66667

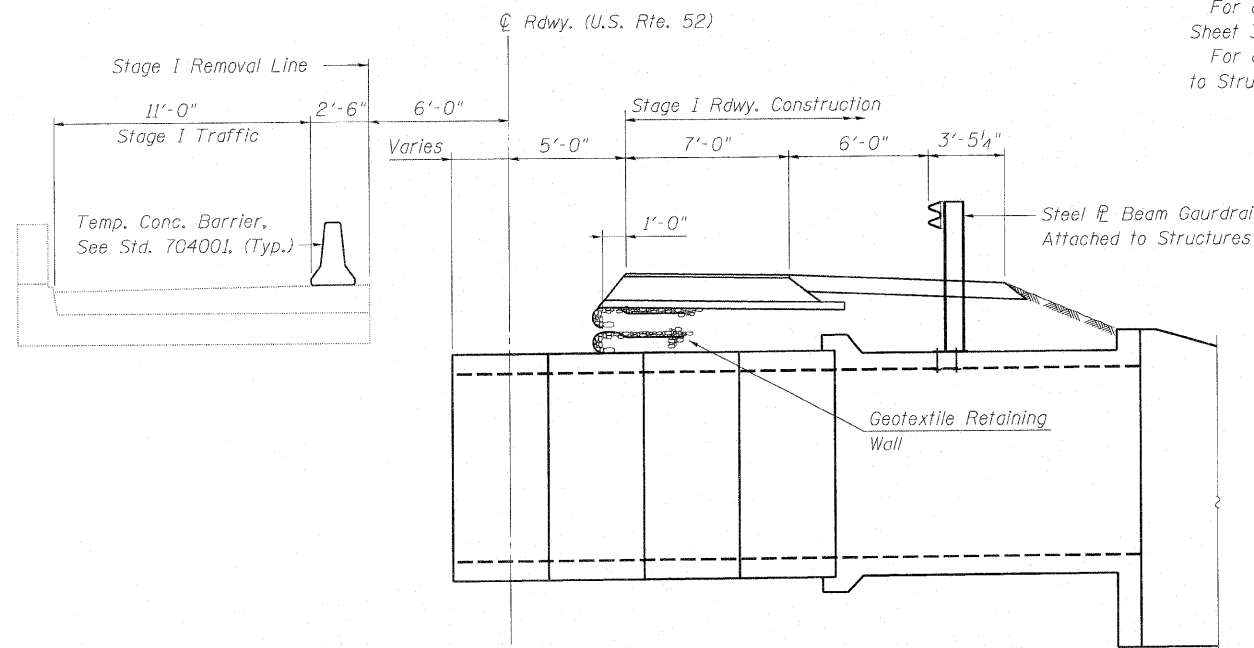
Operator: \$USERS\$

Date: 10/30/2007

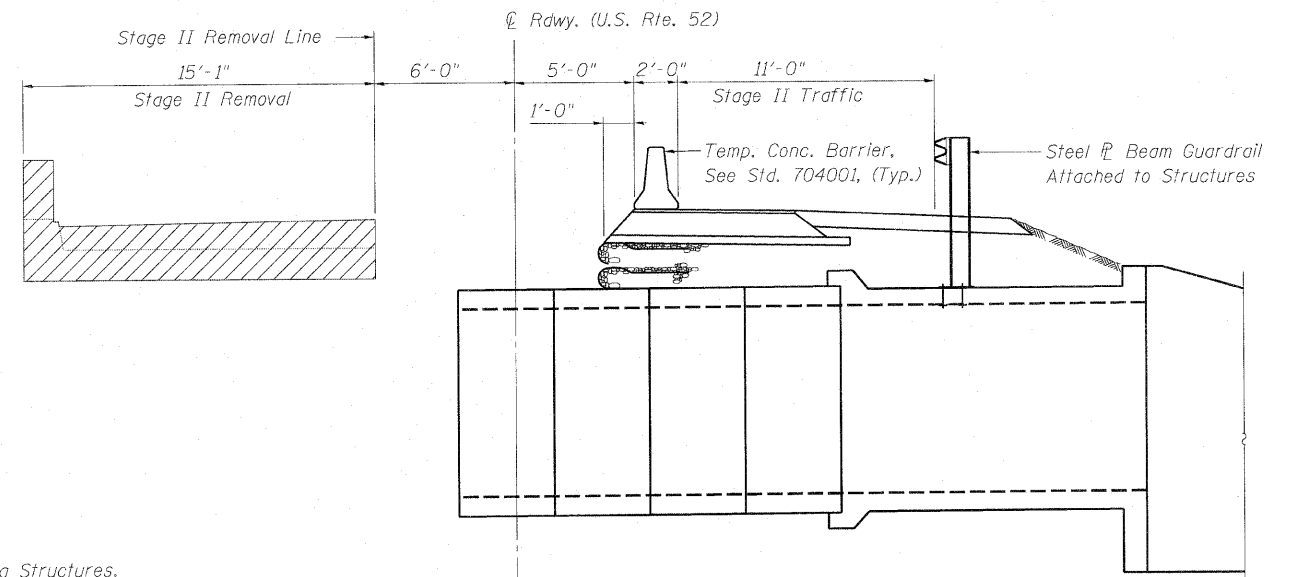
Filename: \$FILES\$



STAGE I REMOVAL

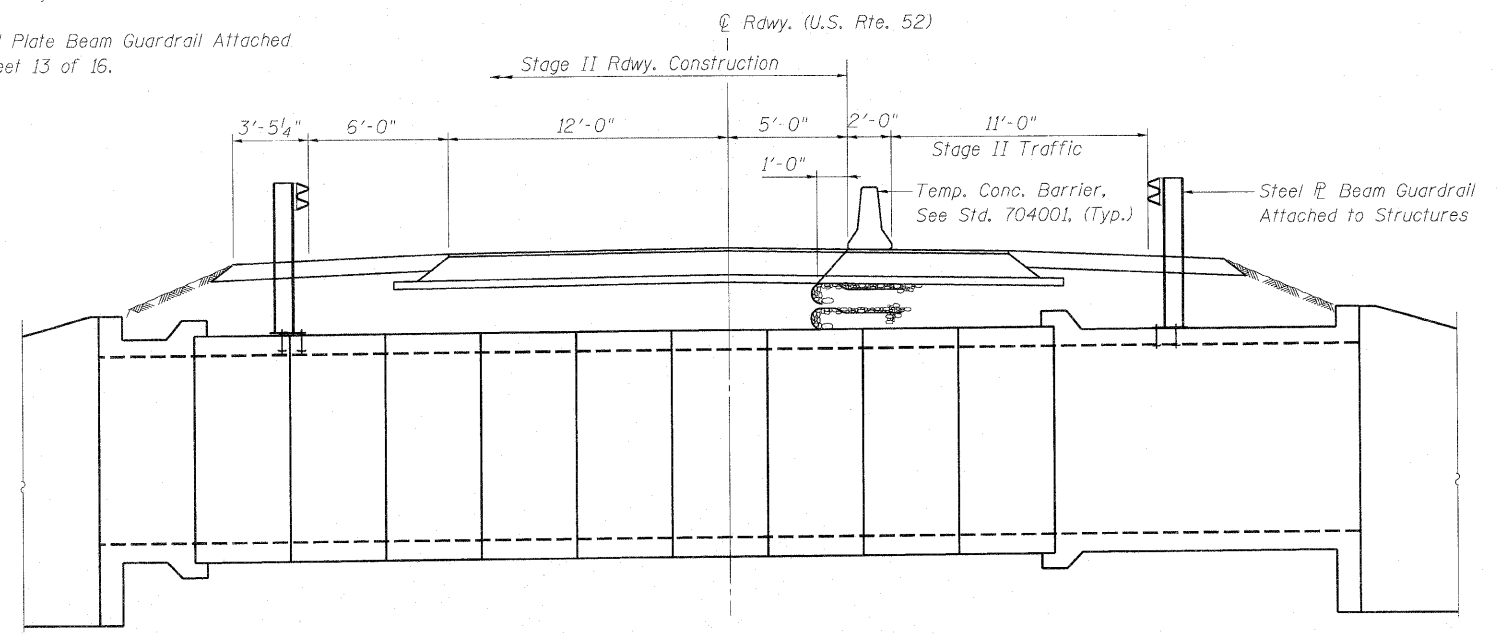


STAGE I CONSTRUCTION



STAGE II REMOVAL

Notes:
Hatched areas indicate Removal of Existing Structures.
All dimensions are @ Rt. L's to C.Rdwy.
For stage construction of the Box Culvert see Sheet 4 of 16.
For quantity of Temporary Concrete Barrier see Roadway Plans.
For details of Temporary Concrete Barrier see Sheet 3 of 16.
For details of Steel Plate Beam Guardrail Attached to Structures see Sheet 13 of 16.



STAGE II CONSTRUCTION

DESIGNED	S.D.S.
CHECKED	C.W.C.
DRAWN	D.L.H.
CHECKED	S.D.S./C.W.C.

WHKS & CO.
ENGINEERS PLANNERS LAND SURVEYORS
MASON CITY, IOWA DUBUQUE, IOWA AMES, IOWA
E. DUBUQUE, ILLINOIS SPRINGFIELD, ILLINOIS ROCHESTER, MINNESOTA

STAGE CONSTRUCTION DETAILS
U.S. RTE. 52 OVER WEST AUX SABLE CREEK
F.A.P. 607 - SECTION 129BR
KENDALL COUNTY
STATION 108+07
STRUCTURE NO. 047-2019