

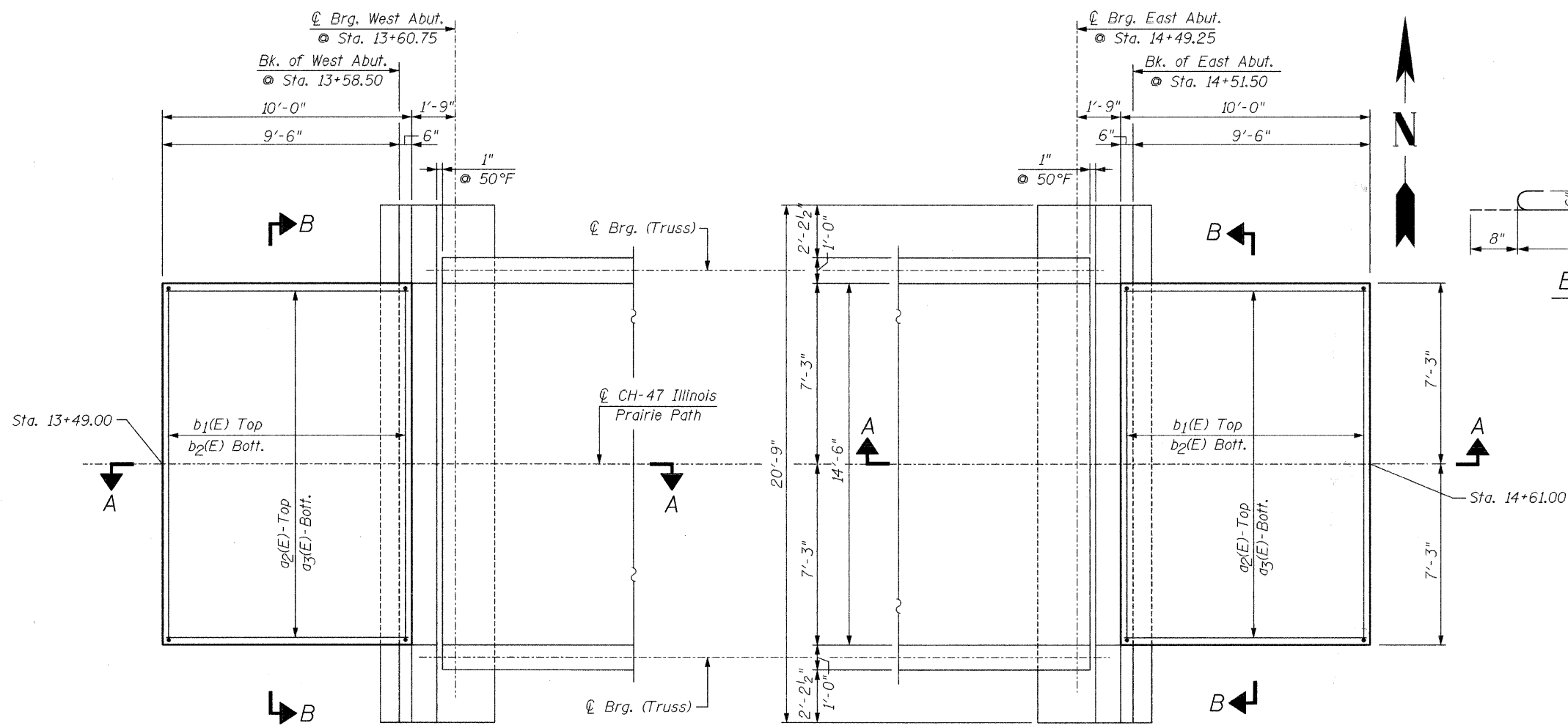
FALL RTE.	SECTION	COUNTY	TOTAL SHEETS	SHEET NO.
99-00313-03-BT	DUPAGE	18	16	
STA.	TO STA.			
FED. ROAD DIST. NO. 1	ILLINOIS	FED. AID PROJECT		

CONTRACT NO. 63069

**BILL OF MATERIAL
BOTH APPROACH PAVEMENTS**

Bar	No.	Size	Length	Shape
a ₂ (E)	30	#4	9'-8"	—
a ₃ (E)	40	#6	11'-0"	—
b ₁ (E)	18	#4	14'-2"	—
b ₂ (E)	22	#5	14'-2"	—
Reinforcement Bars, Epoxy Coated			Lb.	1,350
Bridge Approach Pavement			Sq. Yd.	32.3

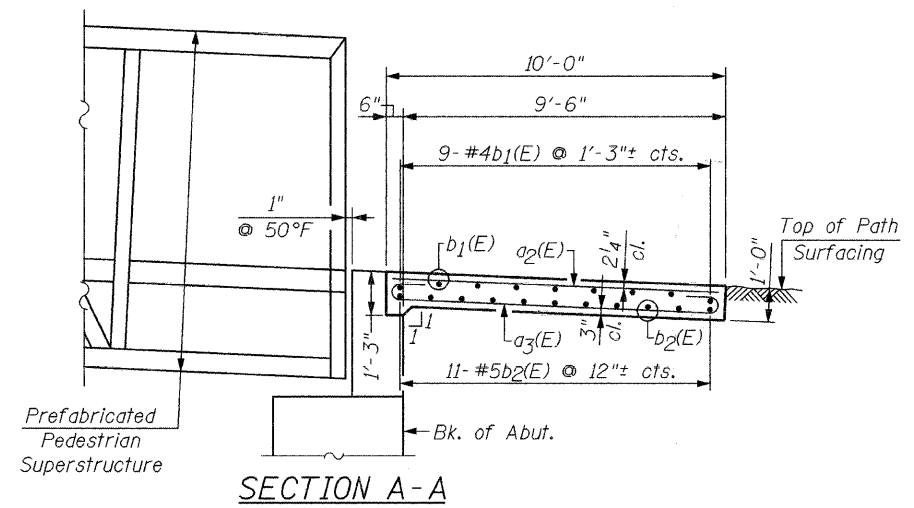
NOTE:
Cost of Reinforcement is included with Pay Item of Bridge Approach Pavement



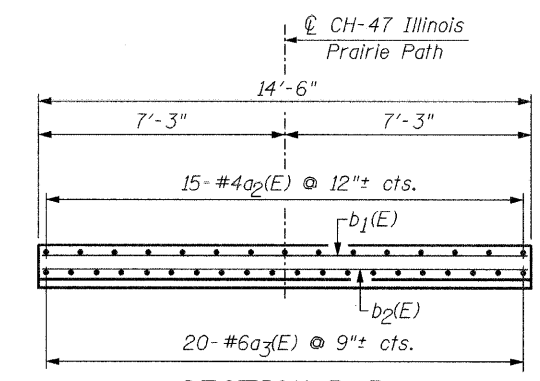
WEST APPROACH

PLAN

EAST APPROACH



SECTION A-A



SECTION B-B

REVISIONS	
NAME	DATE

ILLINOIS DEPARTMENT OF TRANSPORTATION

BRIDGE APPROACH PAVEMENT

C.H. 47 ILLINOIS PRAIRIE PATH BRIDGE OVER THE EAST BRANCH OF THE DUPAGE RIVER MILTON TOWNSHIP DUPAGE COUNTY

SCALE: DATE: AUGUST 19, 2008 DRAWN BY: F.M. CHECKED BY: B.N.S.

CHRISTIAN-ROGE & ASSOC., INC.
CHICAGO ILLINOIS