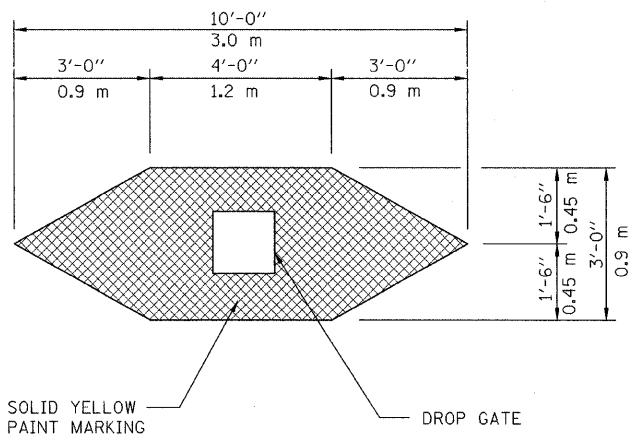
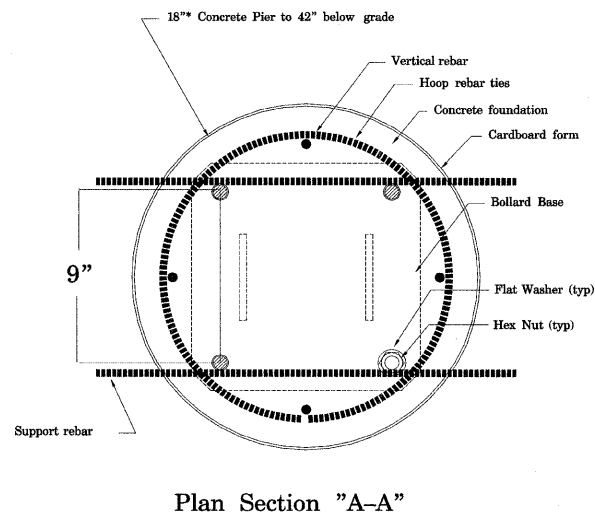
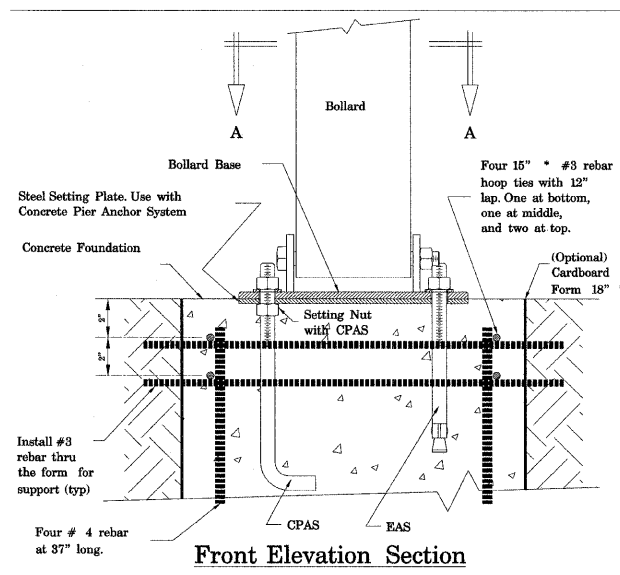
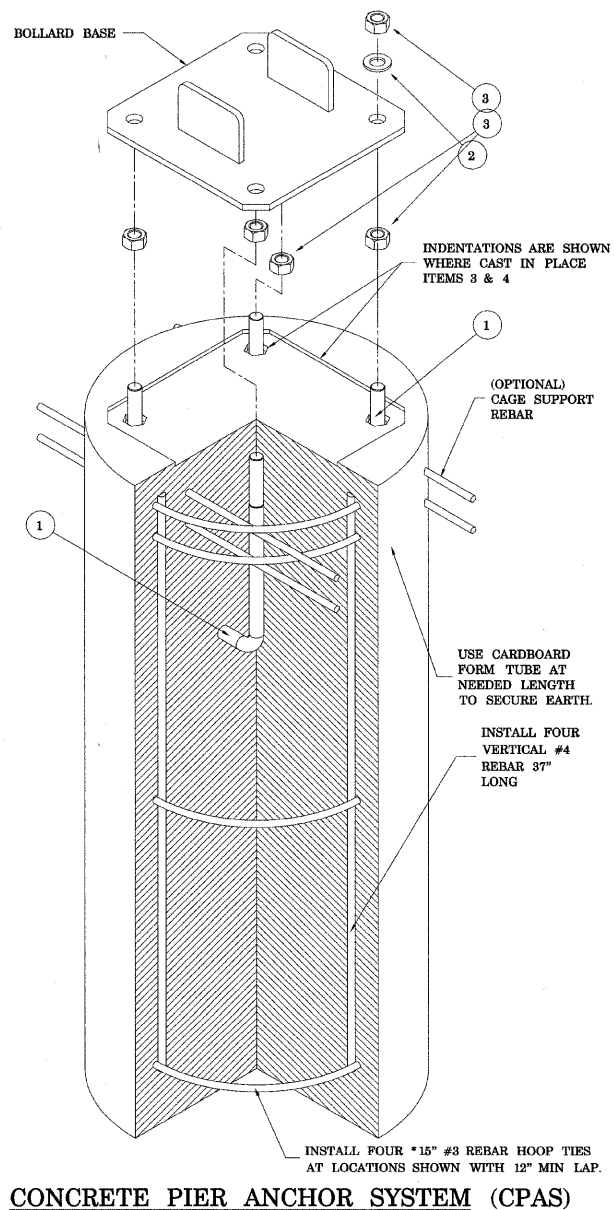


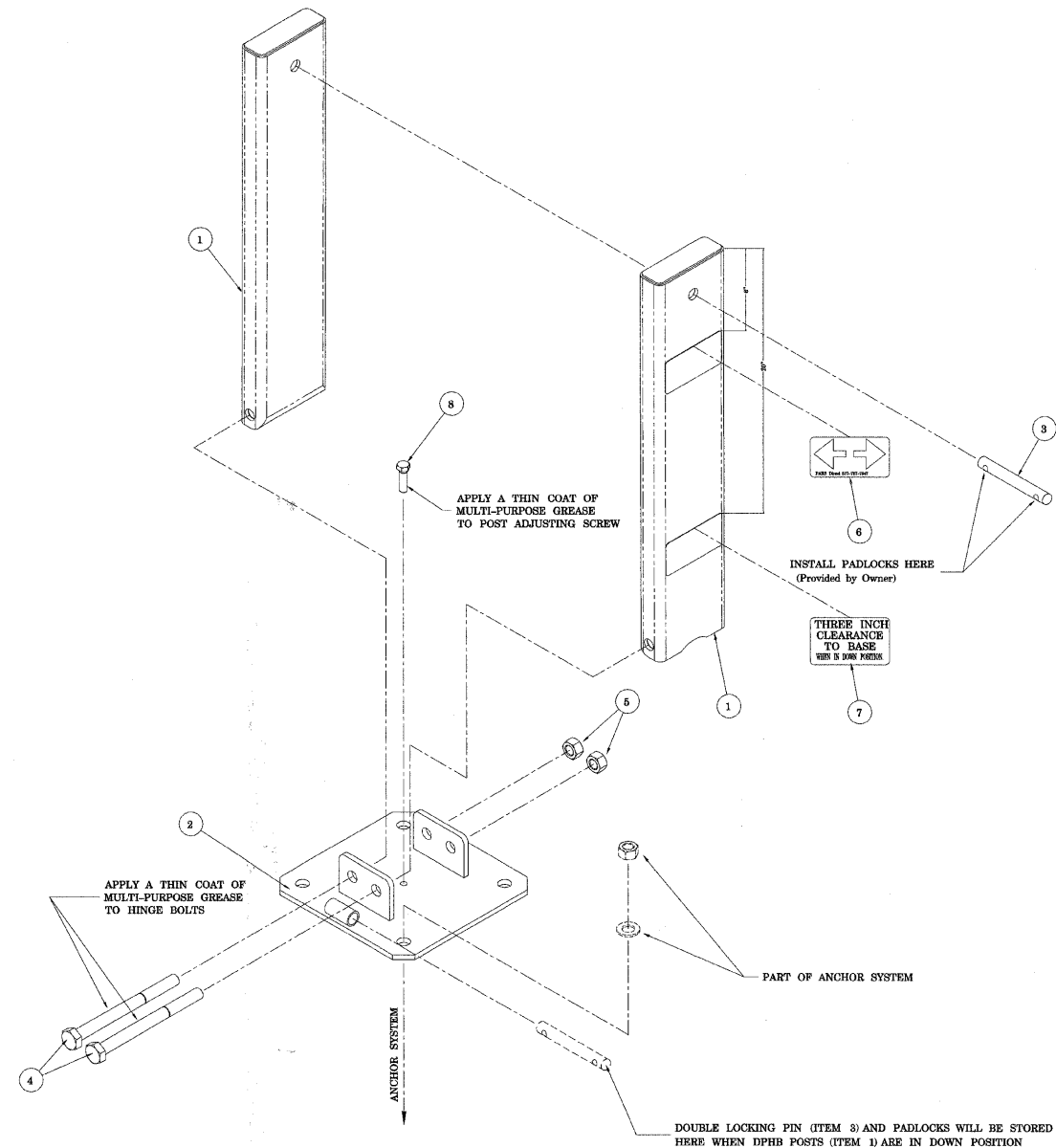
SECTION	COUNTY	TOTAL SHEETS	SHEET NO.
08-F3000-20-BT	COOK	29	11
STA. TO STA.			
PROJECT NO. TE-D001 (610)			
CENTENNIAL TRAIL			
CONTRACT NO. 63052			



DROP GATE MARKING DETAIL
N.T.S.



DROP GATE, INSTALLATION DETAIL
N.T.S.



REVISIONS		
NO.	NAME	DATE

URS 100 S. WACKER DR., SUITE 500 TEL (312)-939-1000
CHICAGO, IL 60606 FAX (312)-939-4198

FOREST PRESERVE DISTRICT OF COOK COUNTY
CENTENNIAL TRAIL
SIGN DETAILS

DATE: 4/4/08 DRAWN BY: VAP
DESIGNED BY: ATB CHECKED BY: DDL