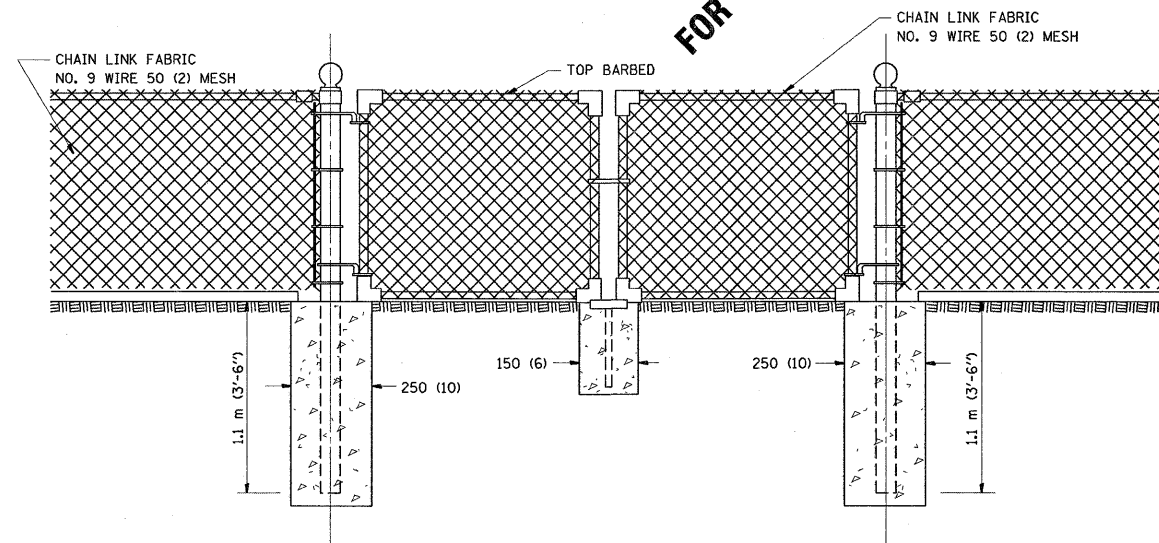
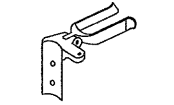


CHAIN LINK FENCE

FOR INFORMATIONAL PURPOSES ONLY



DRIVE GATE 1 m (3'-7") X 3 m (10')



FORK LATCH



GATE REST

ALL DIMENSIONS ARE IN MILLIMETERS (INCHES) UNLESS OTHERWISE SHOWN.

NOTE:
 THE CHAIN LINK FENCE AS SHOWN HEREIN SHALL BE CONSTRUCTED AT SUCH LOCATIONS AS SHOWN ON PLANS AND IN ACCORDANCE WITH THE SPECIAL PROVISIONS
 THE ENGINEER SHALL ESTABLISH ALL NECESSARY LINE AND GRADE PRIOR TO THE ERECTION OF THE FENCE IN CONFORMANCE WITH THE PLANS

FILE NAME = c:\projects\m147393\maint_aa.dgn	USER NAME = mdyje	DESIGNED -	REVISED -	STATE OF ILLINOIS DEPARTMENT OF TRANSPORTATION	CHAIN LINK FENCE STD. 10-SS-506 B	F.A. RTE.	SECTION	COUNTY	TOTAL SHEETS	SHEET NO.	
		DRAWN -	REVISED -			VAR	2008-060 I	VARIOUS	13	9	
		CHECKED -	REVISED -			CONTRACT NO. 60F18					
		PLT DATE = 8/29/2008	REVISED -			SCALE:	SHEET NO.	OF	SHEETS	STA.	TO STA.