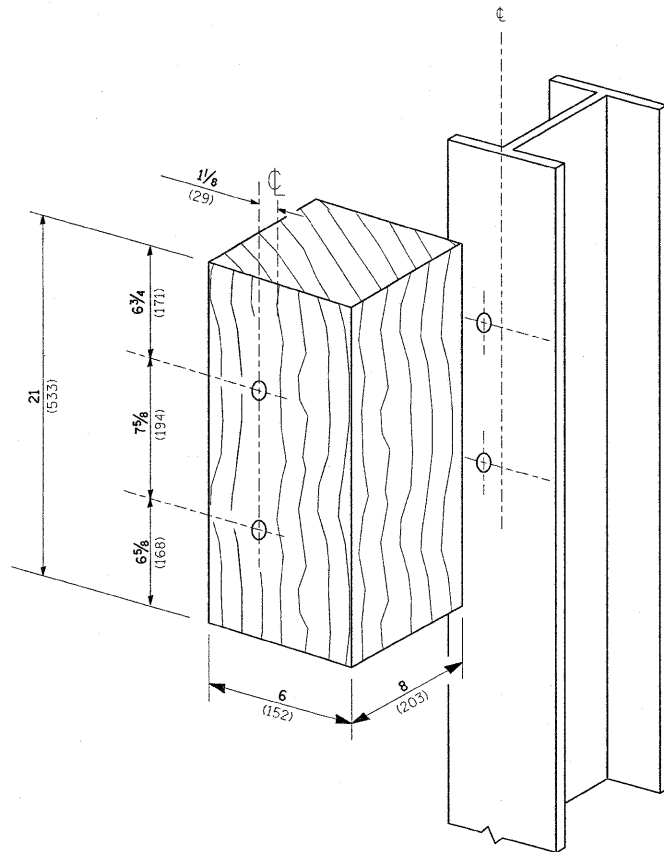
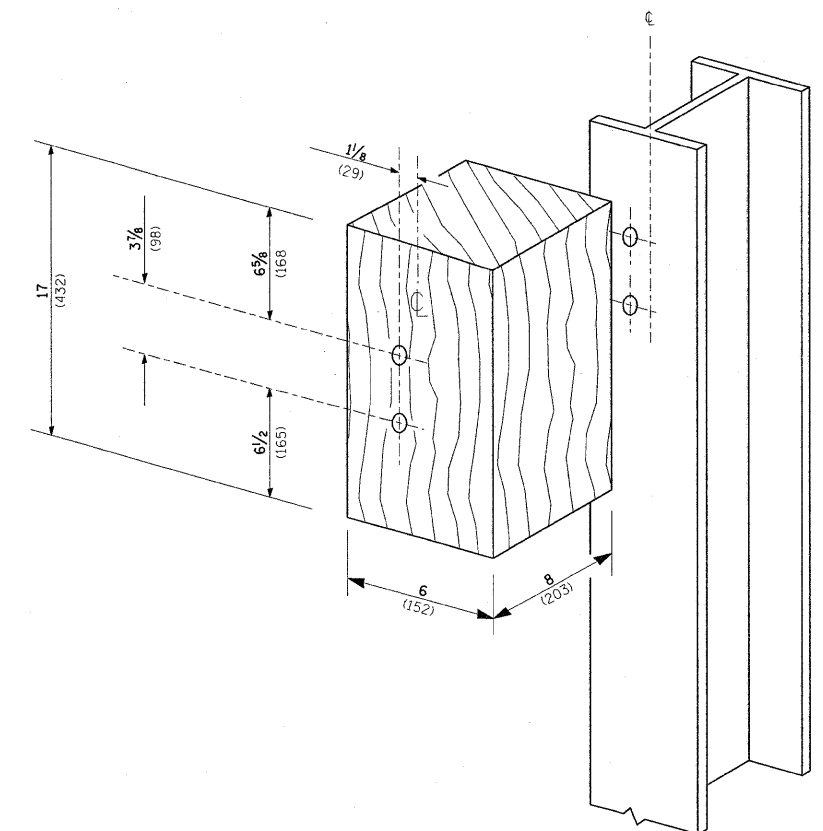


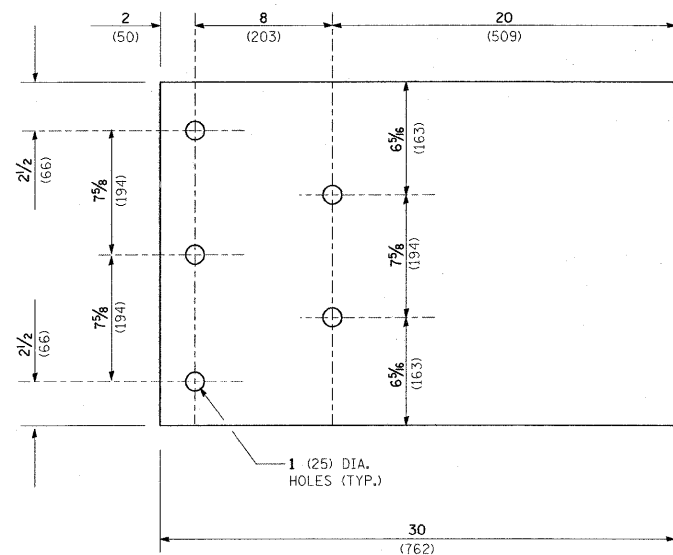
THRIE BEAM END SHOE DETAIL



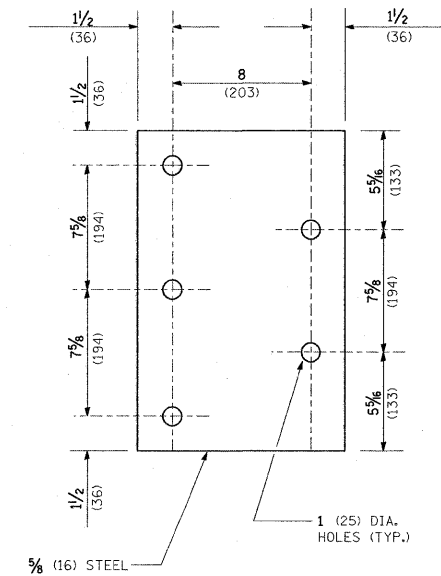
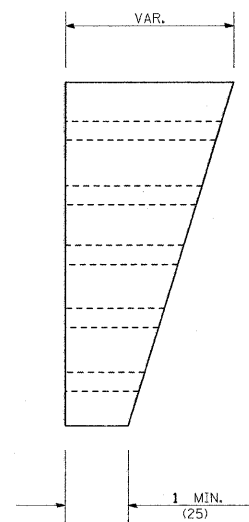
POSTS 1-11 WOOD BLOCKOUT DETAIL



POST 12 WOOD BLOCKOUT DETAIL



PARAPET WOOD BLOCK-OUT DETAIL



PARAPET STEEL BEARING PLATE DETAIL

(5 EACH INDIVIDUAL 5x5x5/8 (125x125x16) STEEL PLATES WITH CENTERED 1 (25) HOLES MAY BE SUBSTITUTED FOR THE PLATE SHOWN.)

FILE NAME = W:\distsstd\22x34\bm22.dgn	USER NAME = mcdjja	DESIGNED -	REVISED - STATE STANDARD:	<b>STATE OF ILLINOIS DEPARTMENT OF TRANSPORTATION</b>	<b>TYPE 6 TERMINAL FOR USE WITH 21" HIGH SPBGR</b>		F.A. RTE.	SECTION	COUNTY	TOTAL SHEETS	SHEET NO.	
		DRAWN -	631031-05 - 02/19/2008		SCALE: NONE	SHEET NO. 3 OF 3 SHEETS	STA.	TO STA.	2008-058 GRR	VARIOUS	21	18
		CHECKED -	REVISED -						<b>BM 22</b>		CONTRACT NO. 60F16	
		DATE -	REVISED -						FED. ROAD DIST. NO. 1 ILLINOIS FED. AID PROJECT			