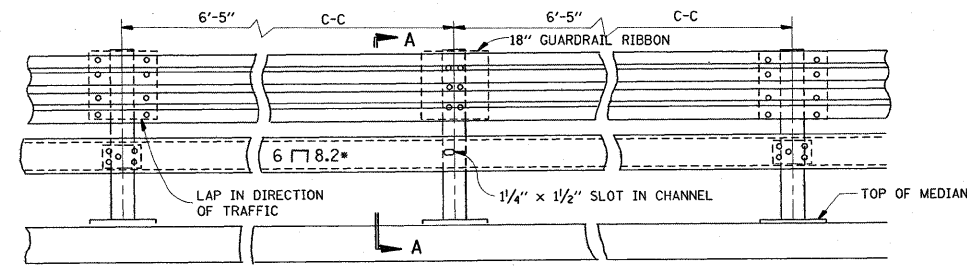


ELEVATION

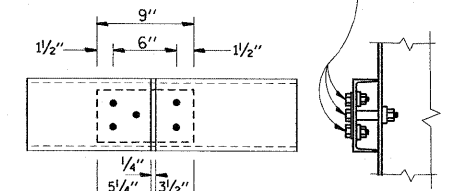
DETAIL OF END SECTION

NOTE 1:
FOR DETAILS OF GUARDRAIL END ANCHORAGE
AT PIERS, SEE SHEET NO. ___

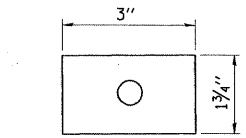


ELEVATION

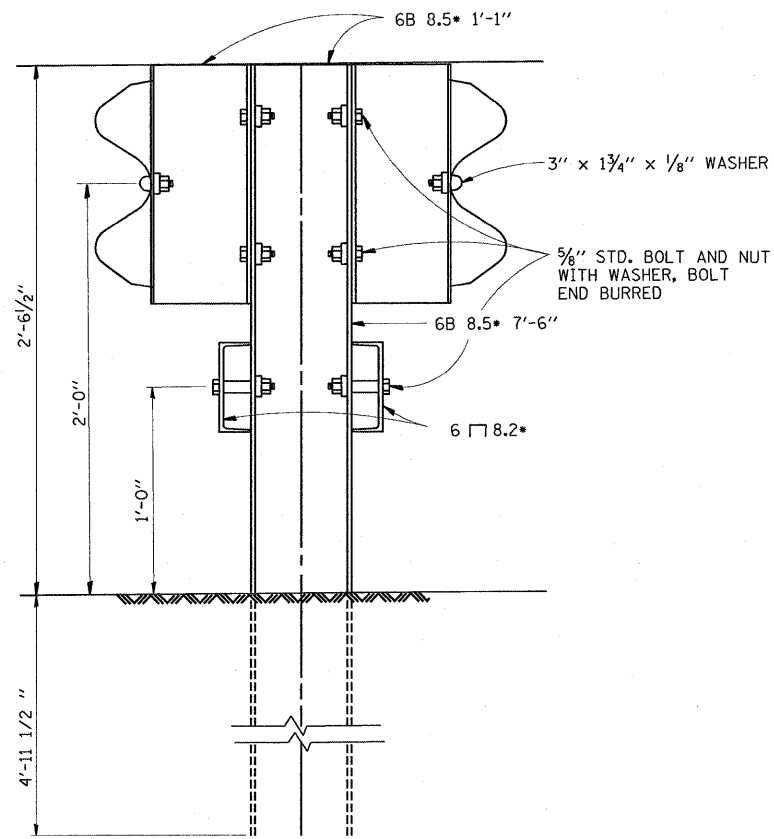
5/8" STD. BOLT AND NUT
WITH WASHER, BOLT
END BURRED



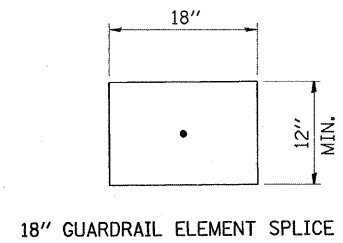
CHANNEL SPLICE
PLATE 8 3/4" x 4 1/2" x 1/4"



WASHER
PLATE 3" x 1 3/4" x 1/8"

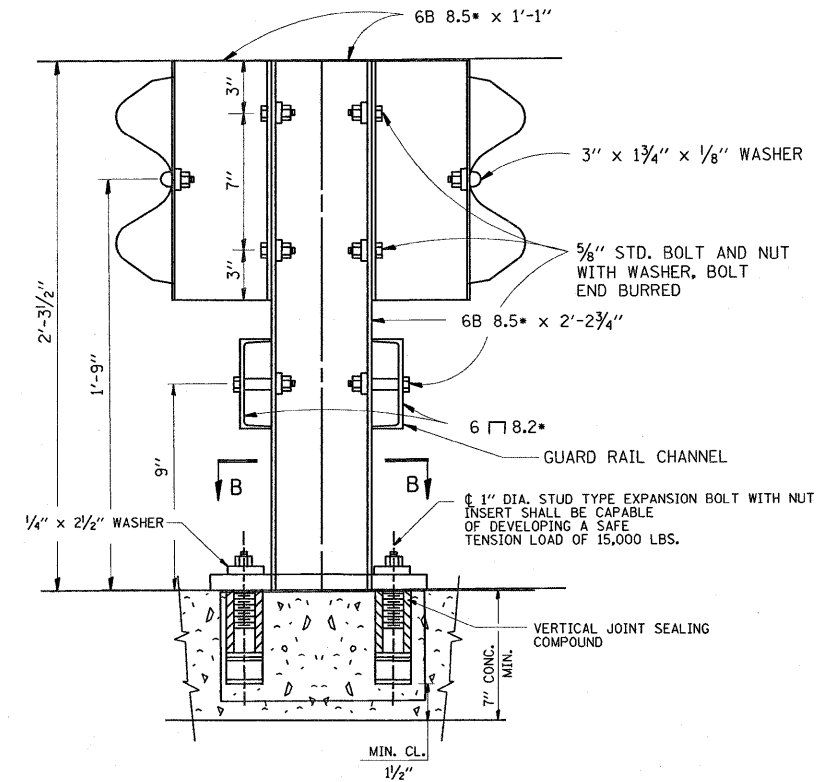


SECTION A-A



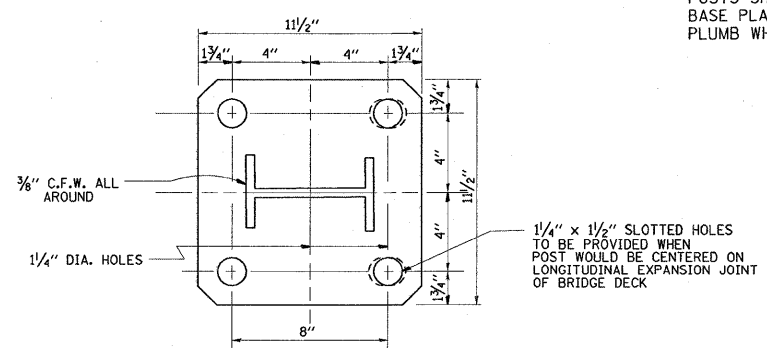
18" GUARDRAIL ELEMENT SPLICE

NOTE:
FOR DETAIL OF RAIL ELEMENT, RAIL SPLICING, BOLT,
AND NUT, SEE STATE STANDARD 2230.
A 1 3/8" x 3" x 1/8" STEEL PLATE WASHER AS SHOWN ON THIS
DRAWING SHALL BE PLACED BETWEEN THE BOLT HEAD
AND THE GUARDRAIL RIBBON AT ALL MOUNTING POINTS.
AN 18" PIECE OF GUARDRAIL RIBBON SHALL BE INSERTED
BETWEEN THE CONTINUOUS RIBBON AND THE POST AT
NON-SLICE MOUNTING POINTS.
RAIL, CHANNELS, POSTS, BASE PLATES, FASTENINGS,
AND ALL OTHER EXPOSED ACCESSORIES SHALL BE
GALVANIZED.



SECTION A-A
ANCHORAGE DETAIL

NOTE:
ALL WELDS SHALL BE GROUND SMOOTH.
POSTS SHALL BE CUT AND WELDED TO THE
BASE PLATE SO THAT THE POSTS WILL BE
PLUMB WHEN ERECTED.



RAIL POST BASE PLATE
R 11 1/2" x 1/4" x 1 1/2"

SECTION B-B

THIS SHEET IS FOR INFORMATION ONLY

FILE NAME = W:\diststd\22x34\bm06.dgn	USER NAME = mdyja	DESIGNED - DRAWN - RFL	REVISED - R. RITCHIE 05-02-00	STATE OF ILLINOIS DEPARTMENT OF TRANSPORTATION	STEEL PLATE BEAM GUARDRAIL SPECIAL			F.A. - RTE. -	SECTION	COUNTY	TOTAL SHEETS	SHEET NO.	
PLOT SCALE = 50.000' / IN.	CHECKED -	REVISED -	REVISED -		SCALE: NONE	SHEET NO. 1 OF 1 SHEETS	STA.	TO STA.	2008-058 GRR	VARIOUS	21	12	
PLOT DATE = 8/27/2008	DATE -	REVISED -	REVISED -						BM-06				CONTRACT NO. 60F16
									FED. ROAD DIST. NO. 1 ILLINOIS FED. AID PROJECT				